



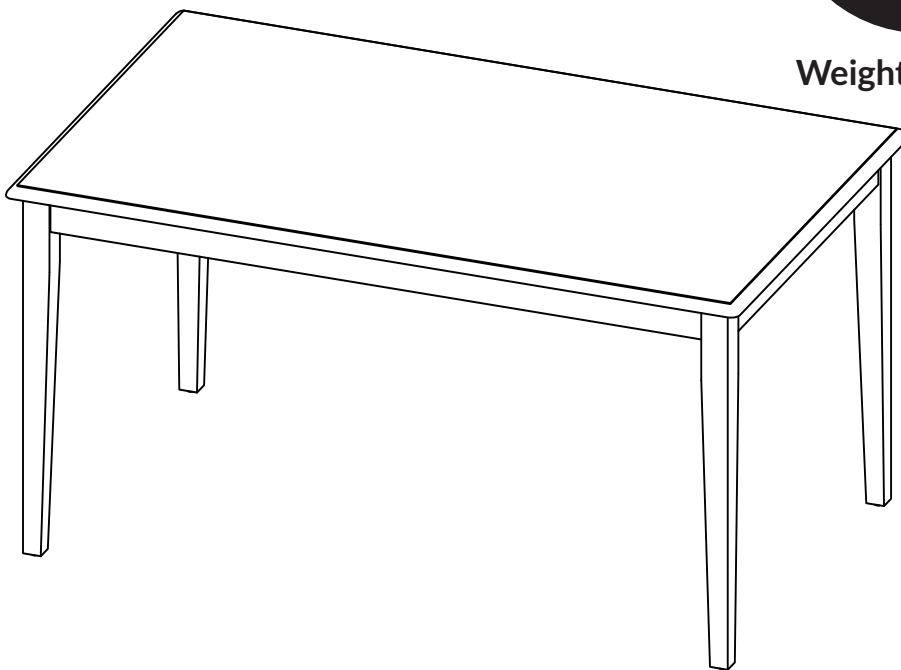
# Boraam Industries

ASSEMBLY INSTRUCTIONS

SKU: 70536,70636,70136 | SHAKER TABLE



Weight Capacity



08/2023



Have questions about assembling your item?



Items or parts damaged?



Missing a part?

**We're here to help! (Monday-Friday from 9am-5pm CST)**



847-949-6300  
877-267-2261



customerservice@  
boraamindustries.com



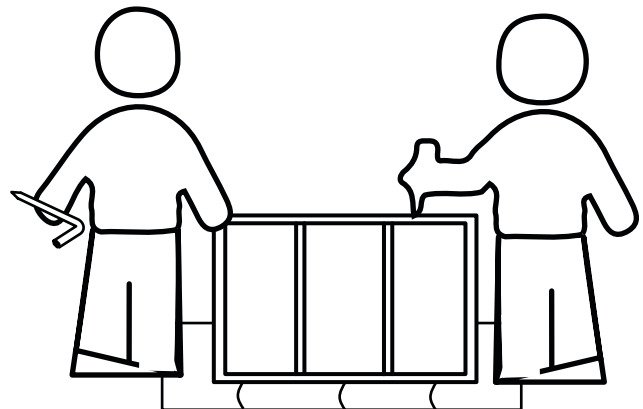
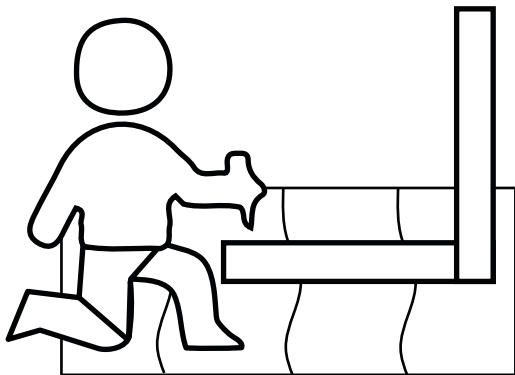
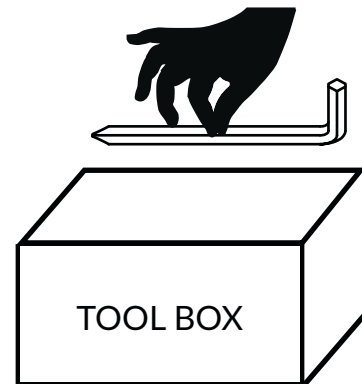
www.boraamindustries.com



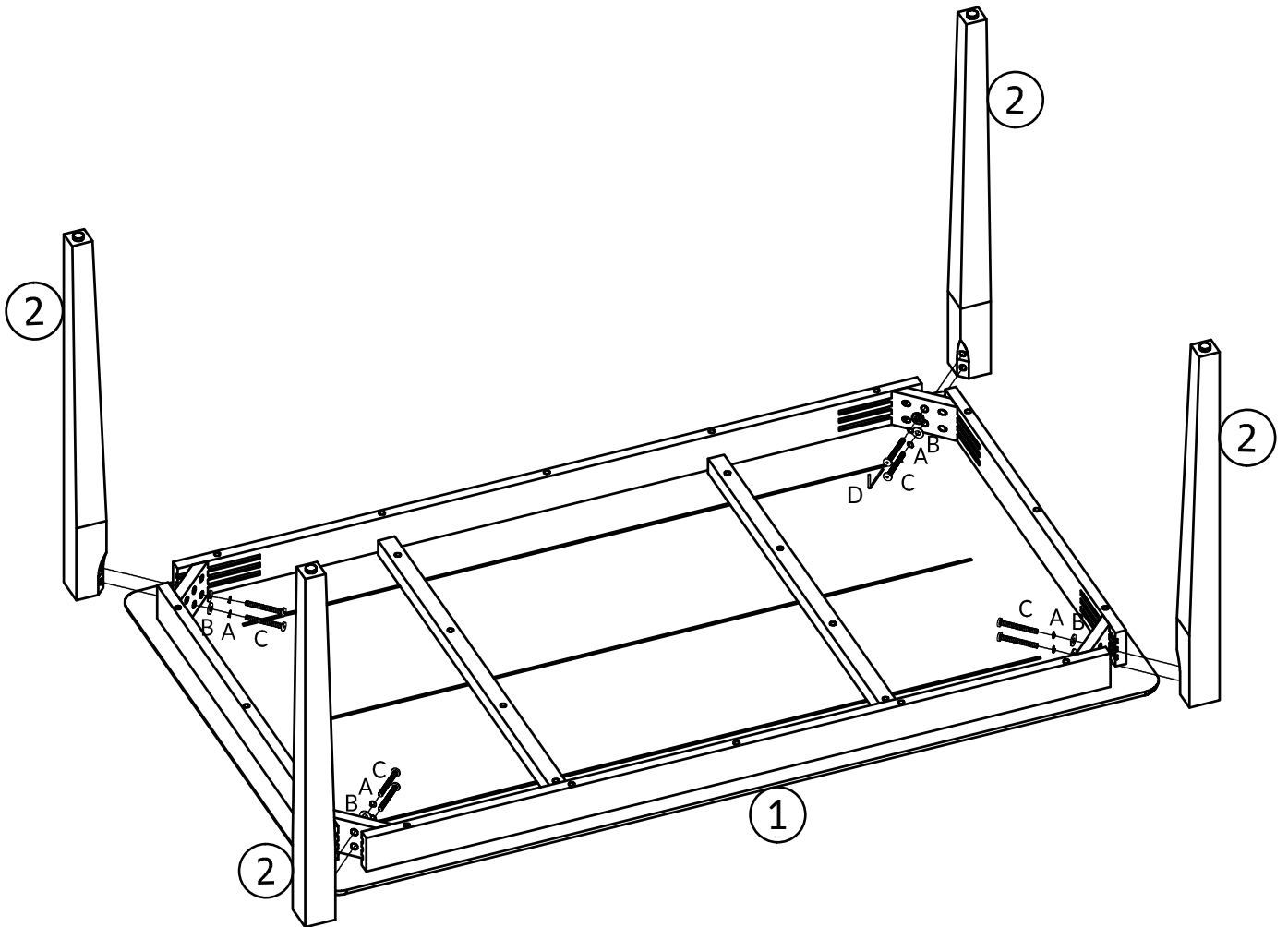
Philips screwdriver  
not included.

# Assembly And Care

- All required tools for assembly are included unless noted.
- Locate and inspect all parts for missing items or damage prior to assembly.
- Do not dispose of packing materials until assembly is completed.
- Assemble item on a soft, clean surface to prevent damage to the item.
- Proper assembly requires 2 people.



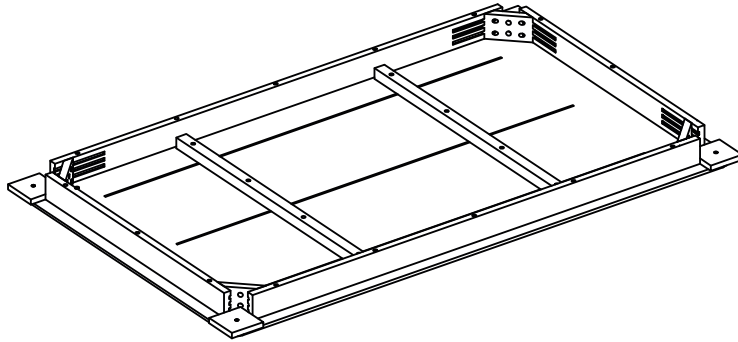
# Assembly Overview



# PARTS

① (x1)

Top Panel :



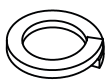
② (x4)

Leg :



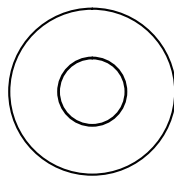
# HARDWARE

Ⓐ (x8)



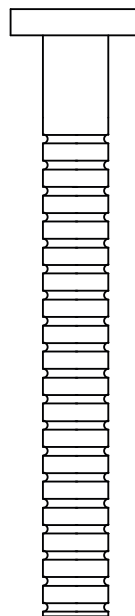
Spring Washer

Ⓑ (x8)



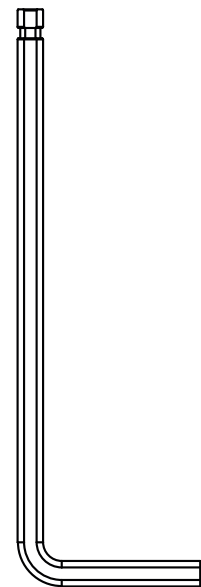
Flat Washer

Ⓒ (x8)



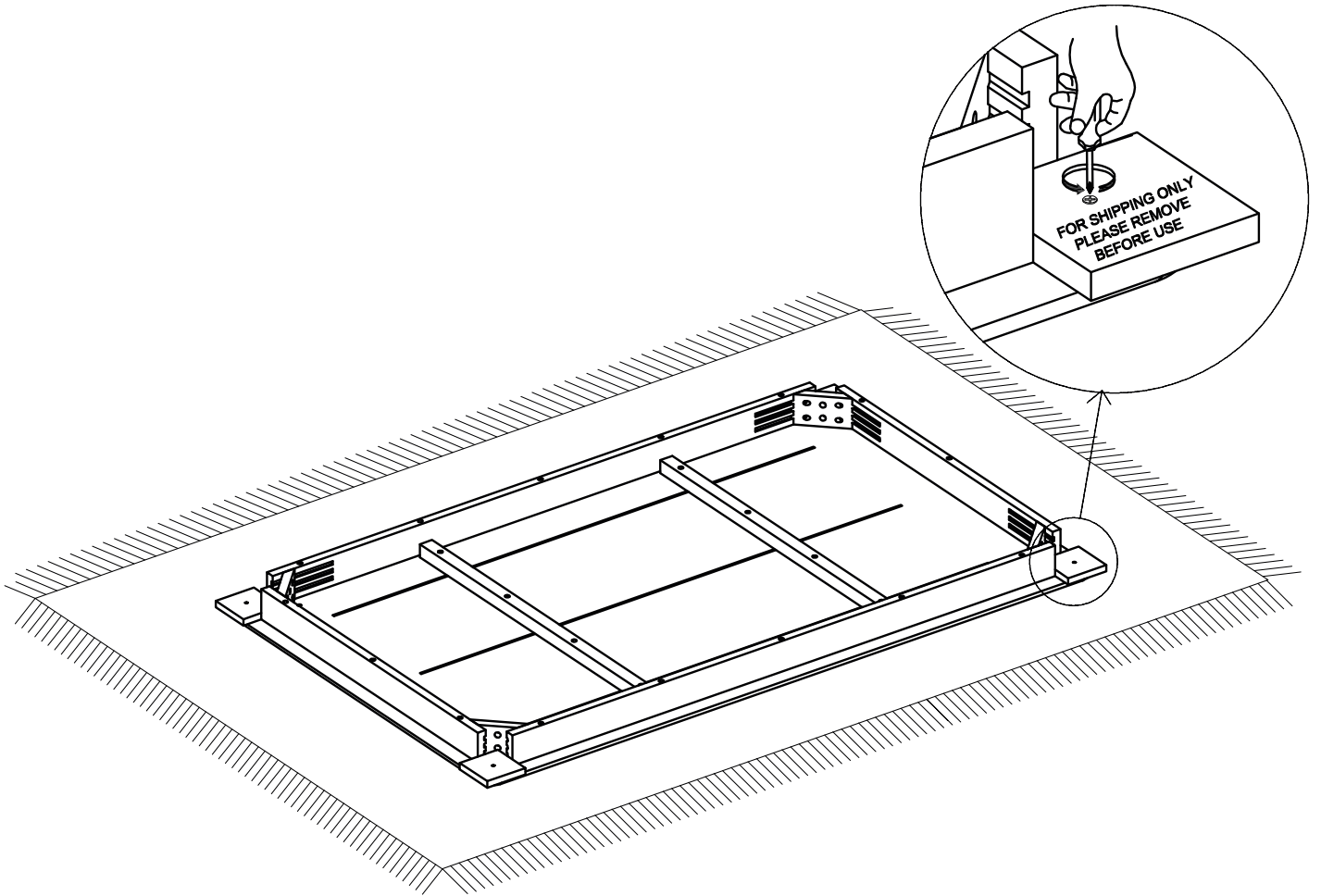
Bolt  
M8x70

Ⓓ (x1)

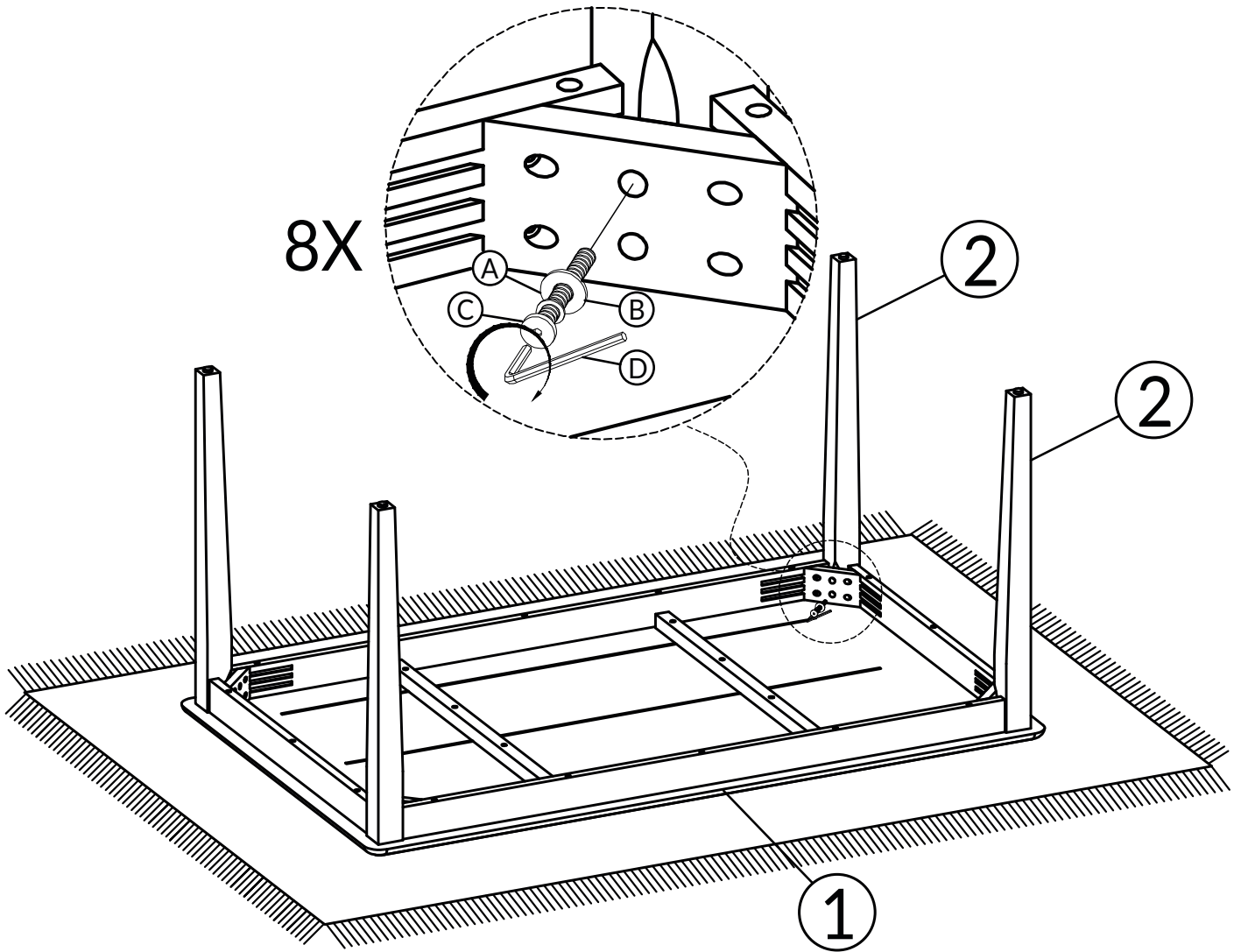


Allen  
Wrench

# 01



# 02

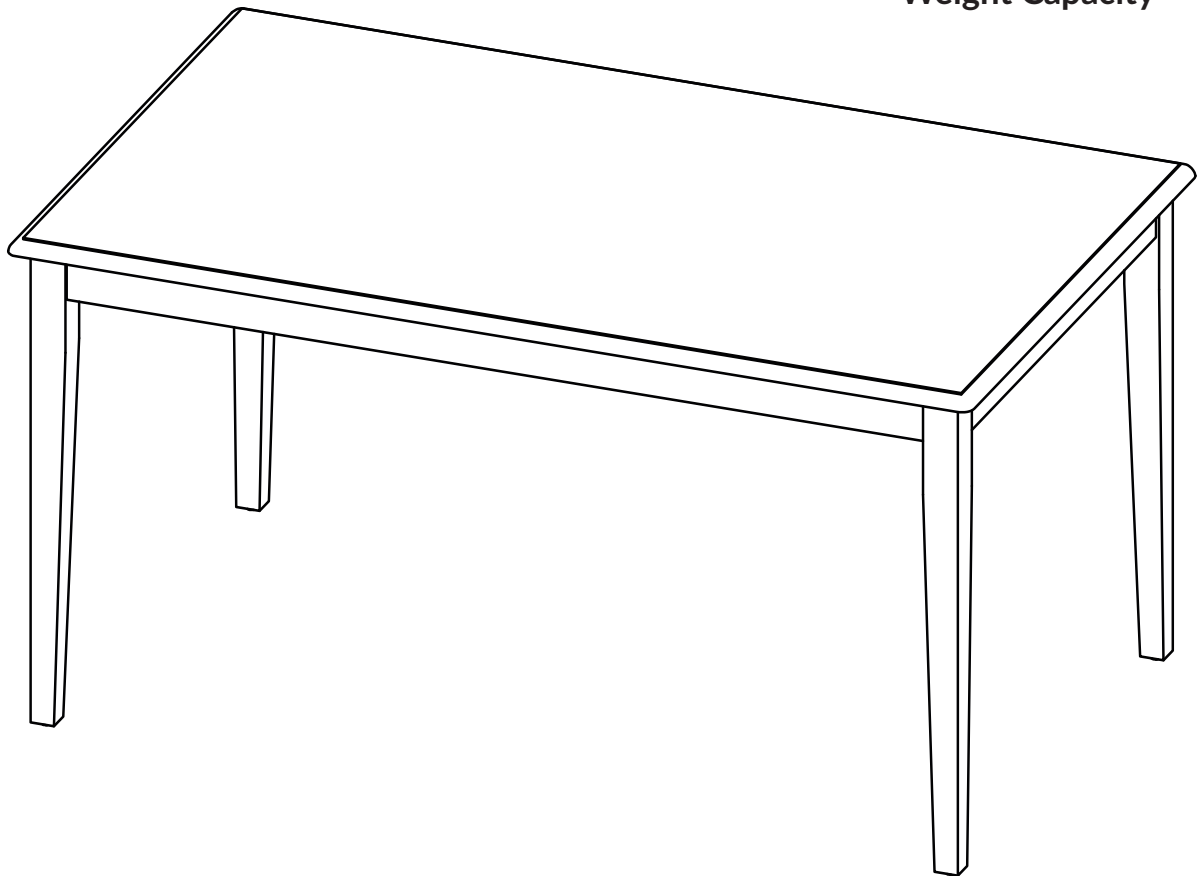


Hardware	Count
A	8
B	8
C	8
D	1

TIGHTEN BOLT COMPLETELY.



**Weight Capacity**



**BE SURE TO CHECK ALL BOLTS ARE SECURELY TIGHTENED PRIOR TO USE.**

847-949-6300 | 877-267-2261 | [customerservice@boraamindustries.com](mailto:customerservice@boraamindustries.com)