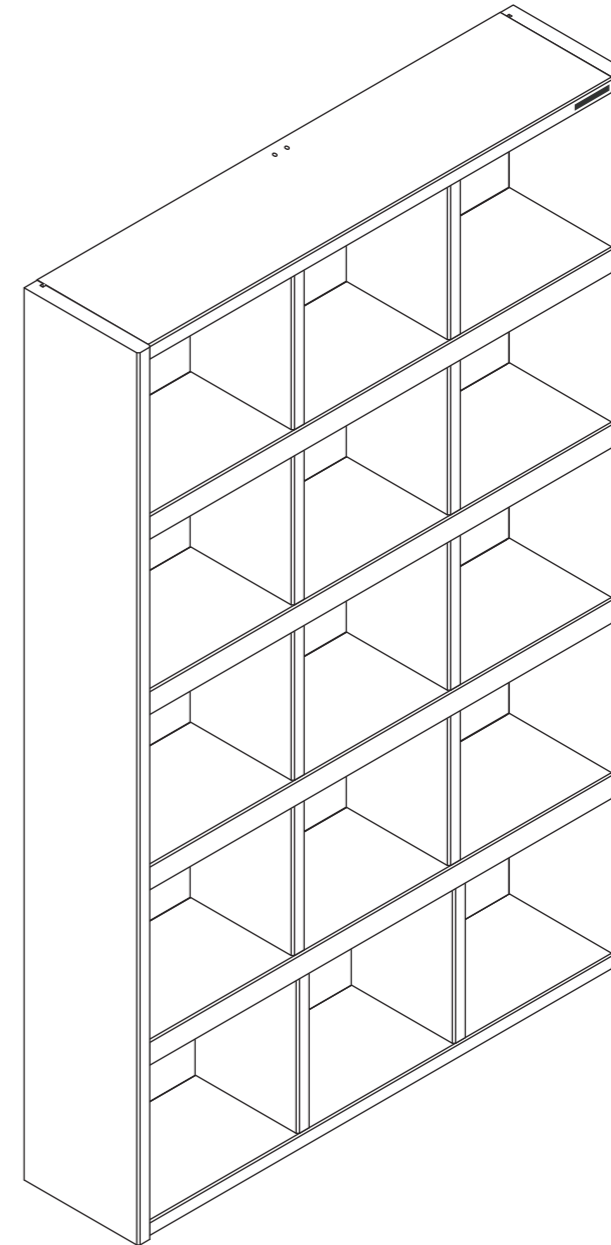




BORAAM INDUSTRIES
Assembly Instructions
SCULLY BOOKCASE



MAKE SURE ALL PARTS ARE INCLUDED PRIOR TO ASSEMBLY

TWO OR MORE PEOPLE HIGHLY RECOMMENDED FOR ASSEMBLY

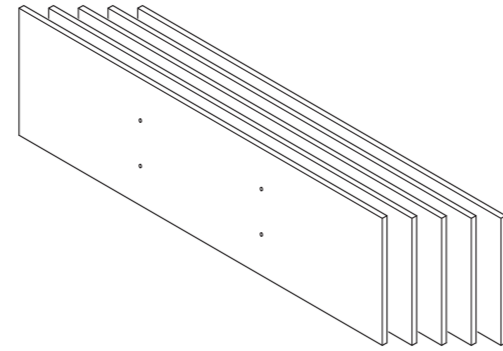
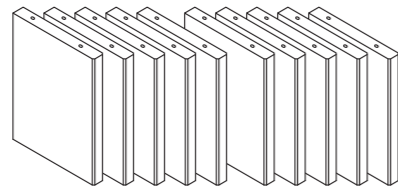
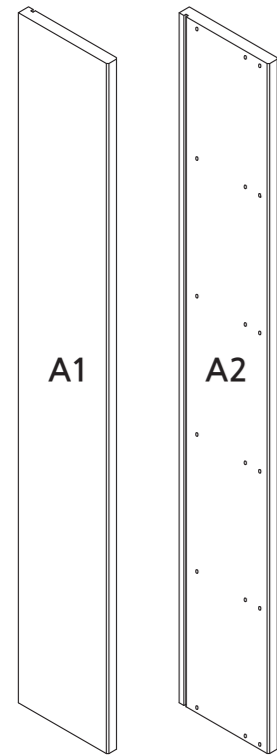
DO NOT ASSEMBLE IN THE PRESENCE OF CHILDREN

Boraam SCULLY BOOKCASE

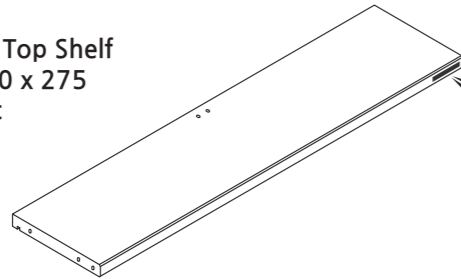
A. Side Panels
1960 x 280
2 Pcs

B. Shelf Supports
340 x 260
10 Pcs

F. Back Panels
1150 x 350
5 Pcs

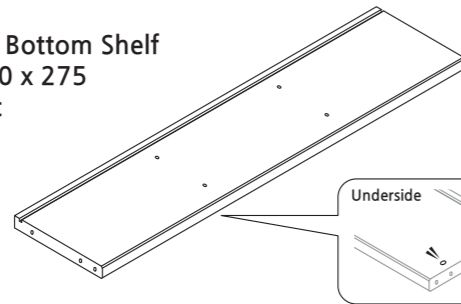


D1. Top Shelf
1140 x 275
1 Pc



E. Middle Shelves
1140 x 275
4 Pcs

D2. Bottom Shelf
1140 x 275
1 Pc



< Left > < Right >

! Cam holes are on the underside of the panel.

C. Hardware

<p>C1. Back Panel Screw Φ4 x 16mm 20 Pcs</p>	<p>C2. Dowel Φ6 x 25mm 40 Pcs</p>	<p>C3. Safety Bracket 32 x 32mm 1 Pc</p>	<p>C4. Anchor Screw Φ3 x 21mm 2 Pcs</p>	
<p>C5. Conical Anchor Φ6 x 30mm 1 Pc</p>	<p>C6. Safety Bracket Screw Φ4 x 25mm 1 Pc</p>	<p>C7. Cam 30T 24 Pcs</p>	<p>C8. Cam Bolt 30T 24 Pcs</p>	
<p>C9. Dowel Φ8 x 35mm 12 Pcs</p>				

Dowel holes were made purposely tight. Please do not use excess force when inserting the Dowels. Using excess force can damage the panels during assembly.

