

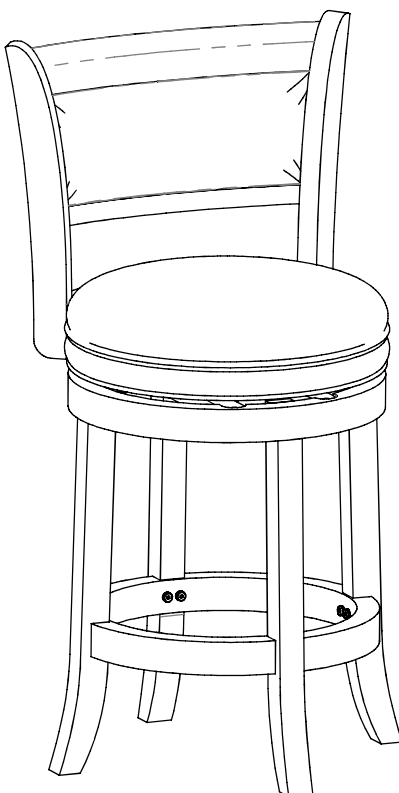


# Boraam Industries

ASSEMBLY INSTRUCTIONS

SKU: 08824,48824,48829,45824,45829,49824,49829,46824,46829,52824,58824

## AUGUSTA SWIVEL STOOL



Have questions about assembling your item?



Items or parts damaged?



Missing a part?

**We're here to help! (Monday-Friday from 9am-5pm CST)**



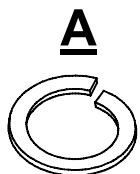
847-949-6300  
877-267-2261



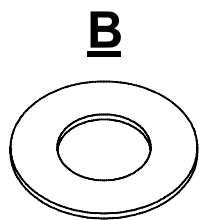
customerservice@  
boraamindustries.com



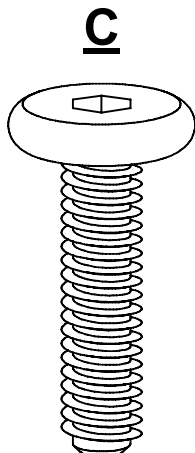
www.boraamindustries.com



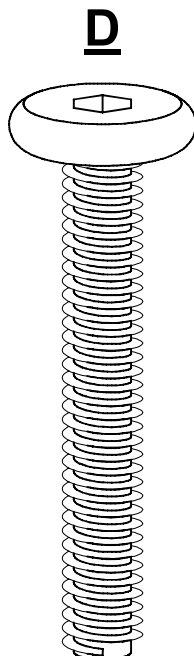
**A**  
M6\*10  
22 PCS



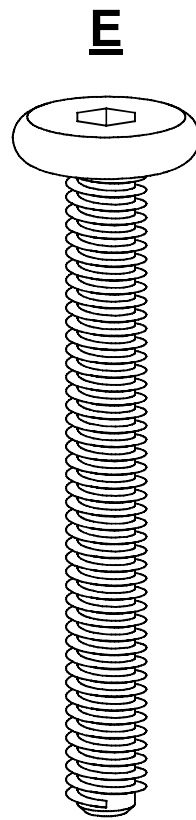
**B**  
M6\*16  
26 PCS



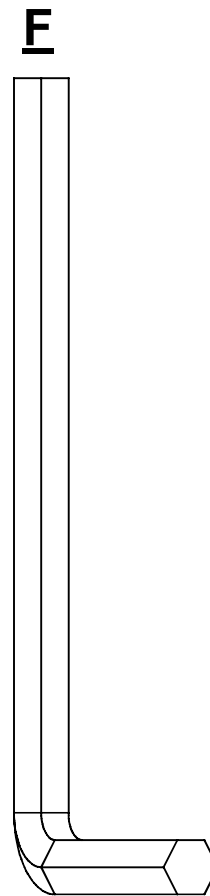
**C**  
M6\*25  
4 PCS



**D**  
M6\*40  
16 PCS

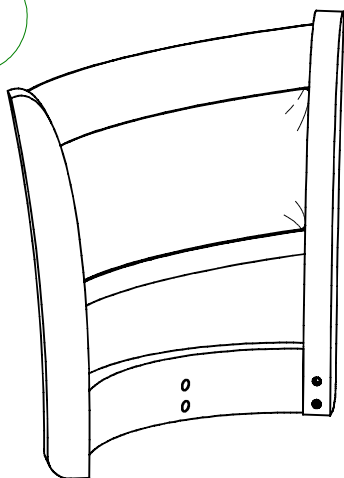


**E**  
M6\*50  
6 PCS

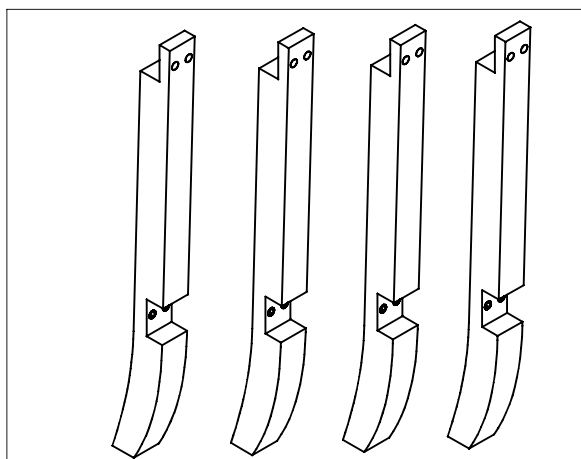


**F**  
M4\*110  
1 PC

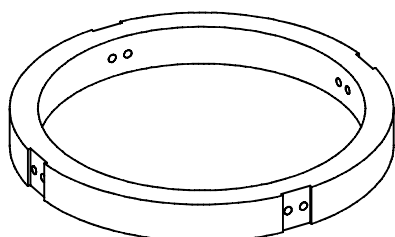
1



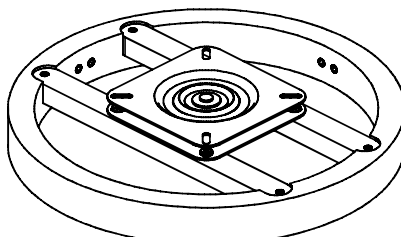
2



3



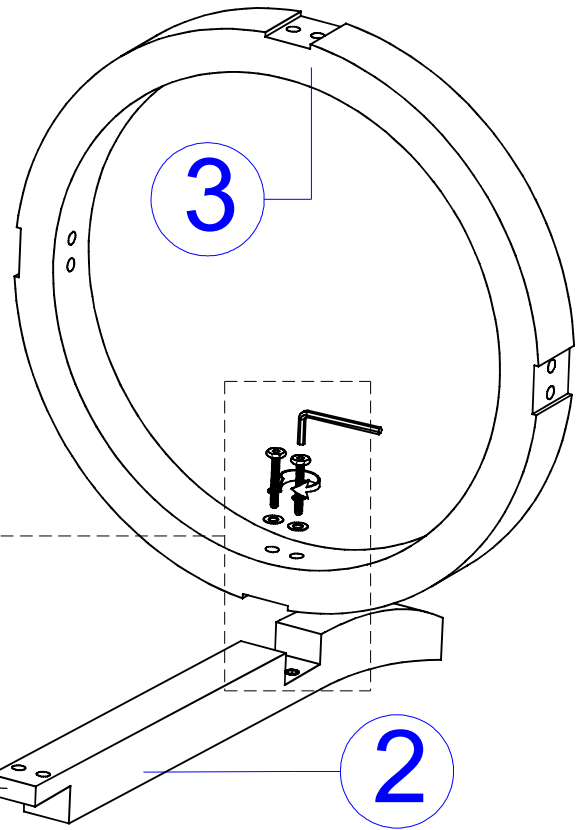
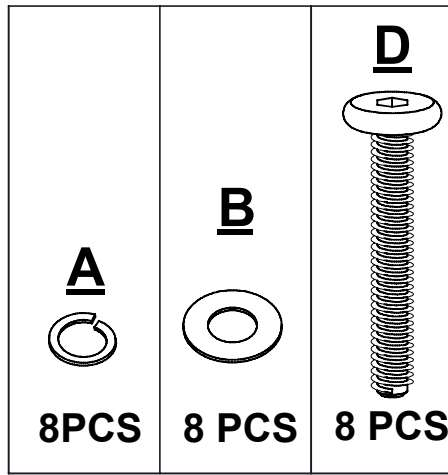
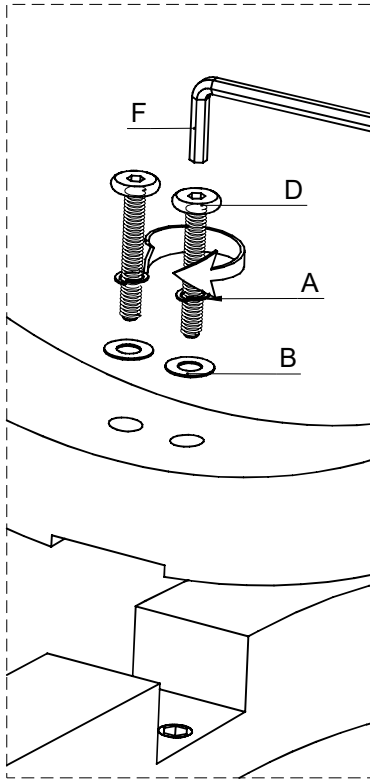
4



5



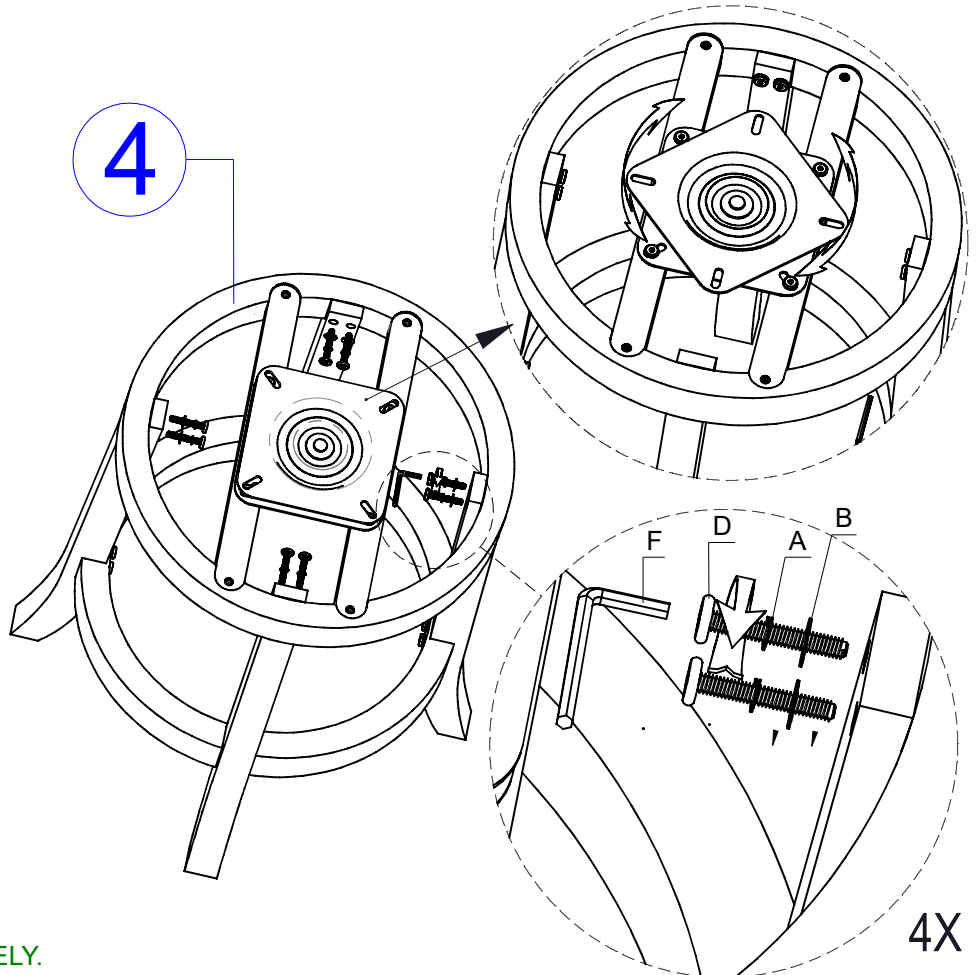
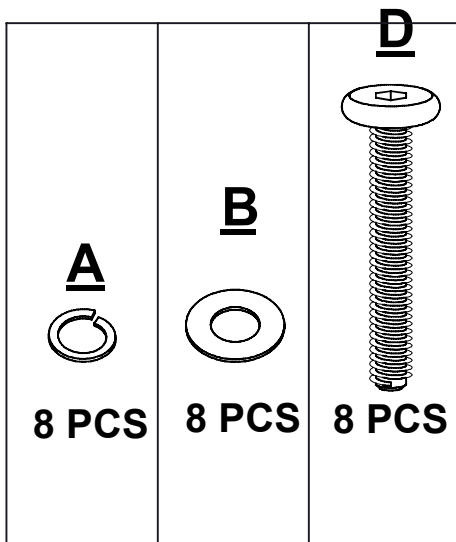
# 01



4X

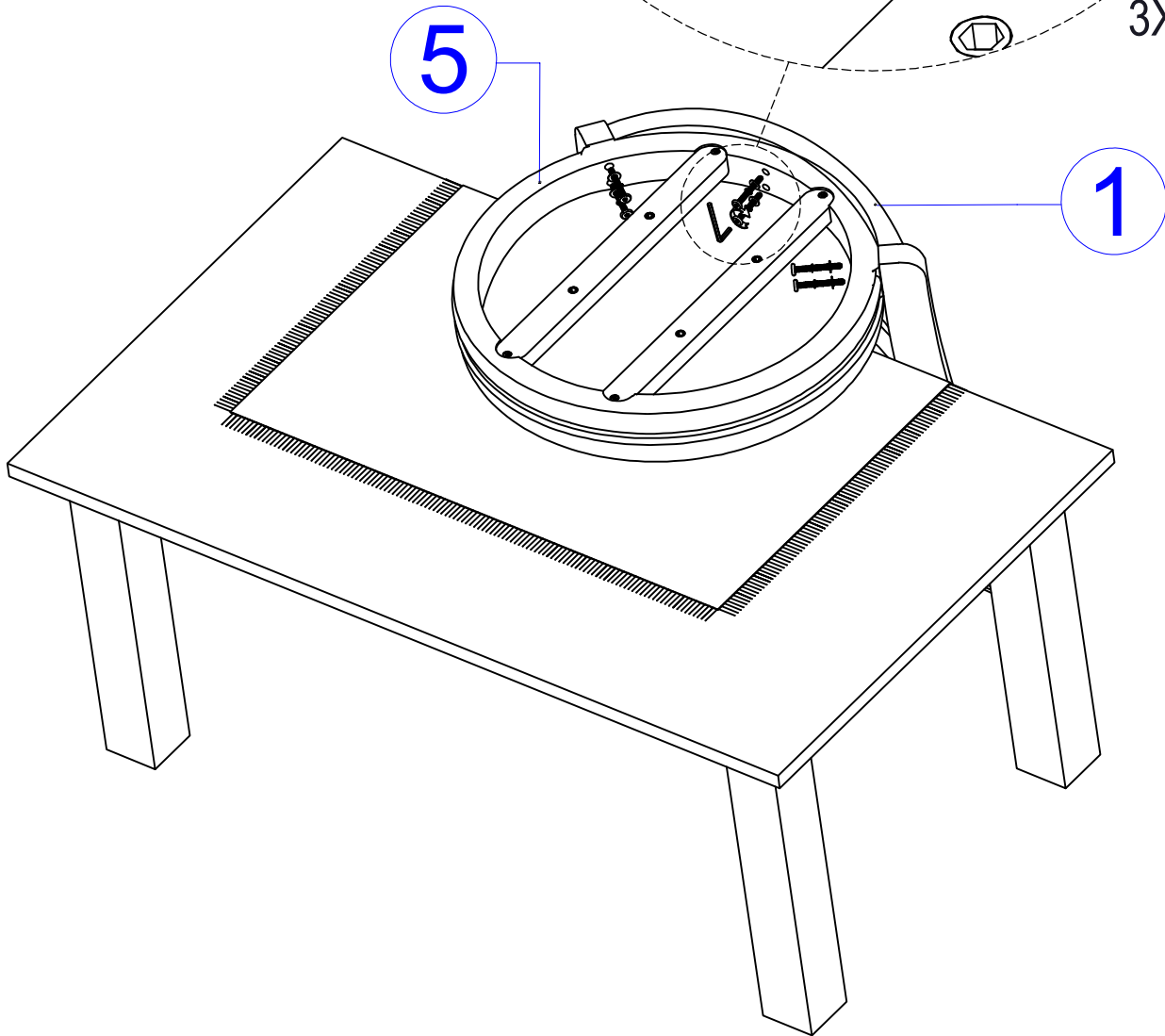
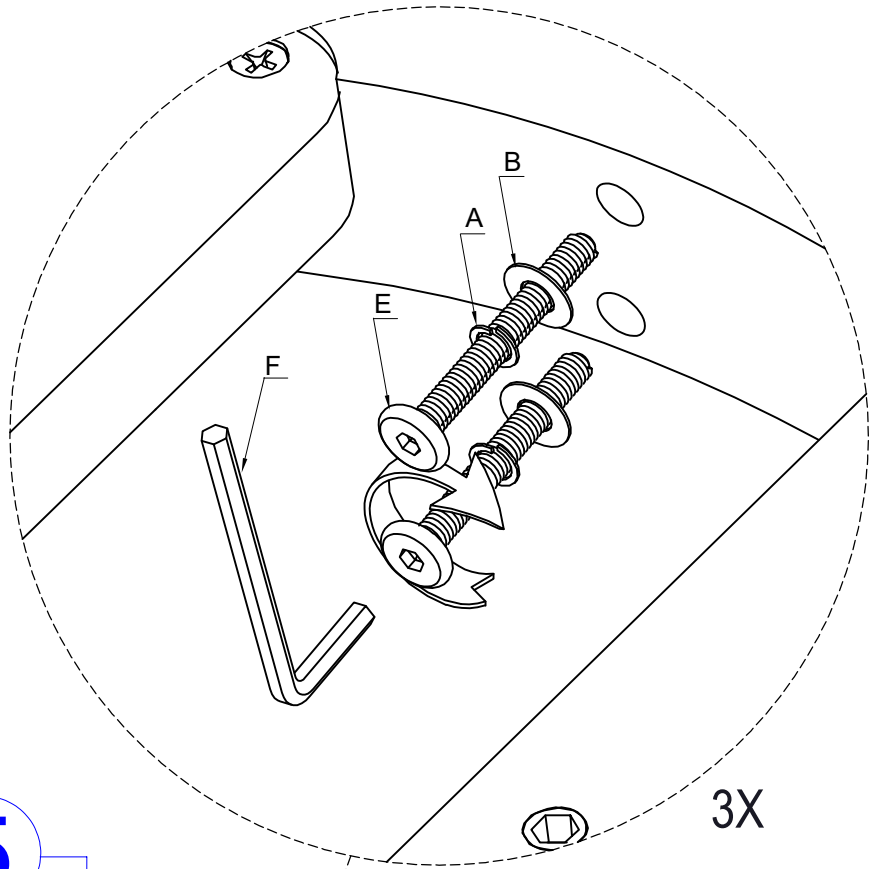
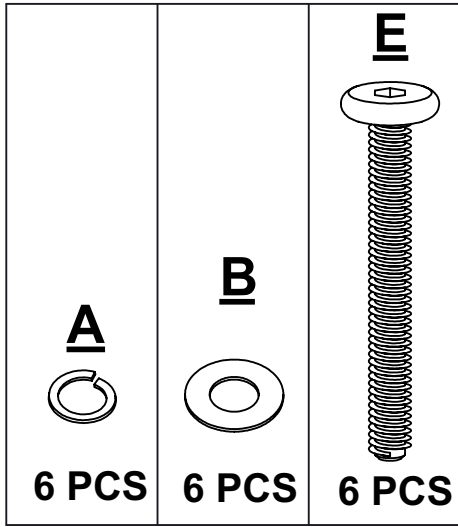
DO NOT TIGHTEN BOLT COMPLETELY.

# 02

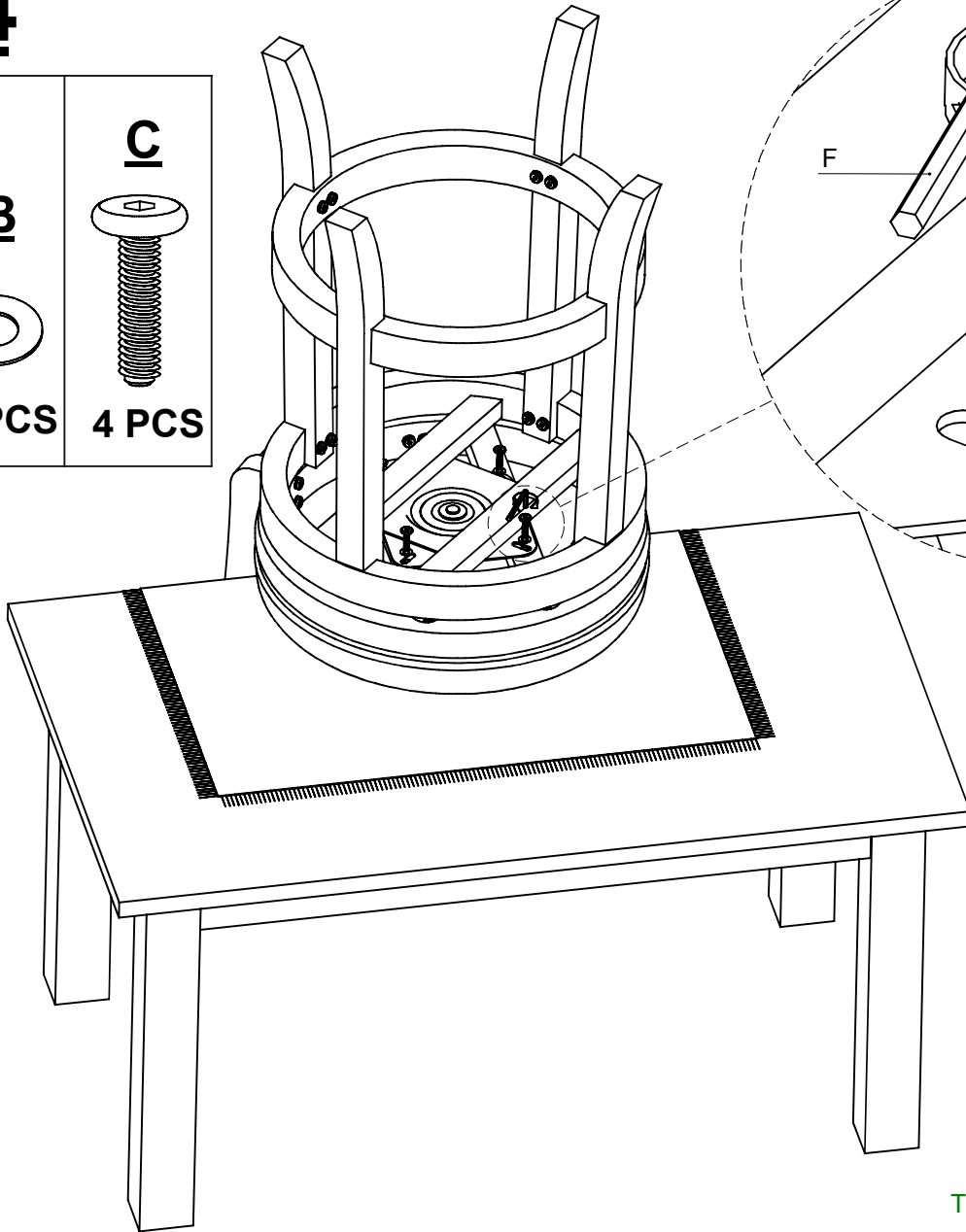
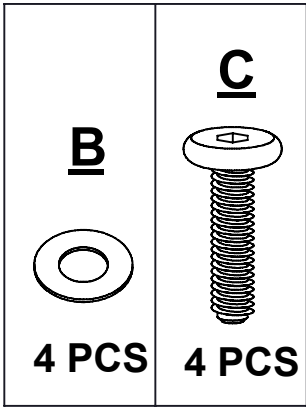


DO NOT TIGHTEN BOLT COMPLETELY.

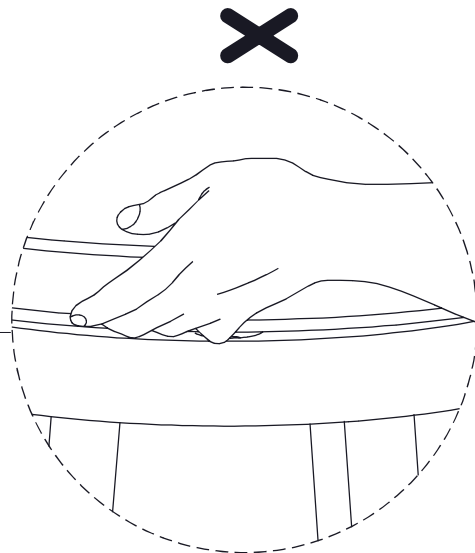
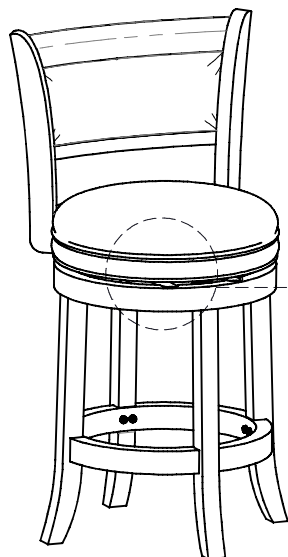
# 03



# 04



TIGHTEN BOLT COMPLETELY.



BE SURE TO CHECK ALL BOLTS ARE SECURELY TIGHTENED PRIOR USING THIS TOOL.