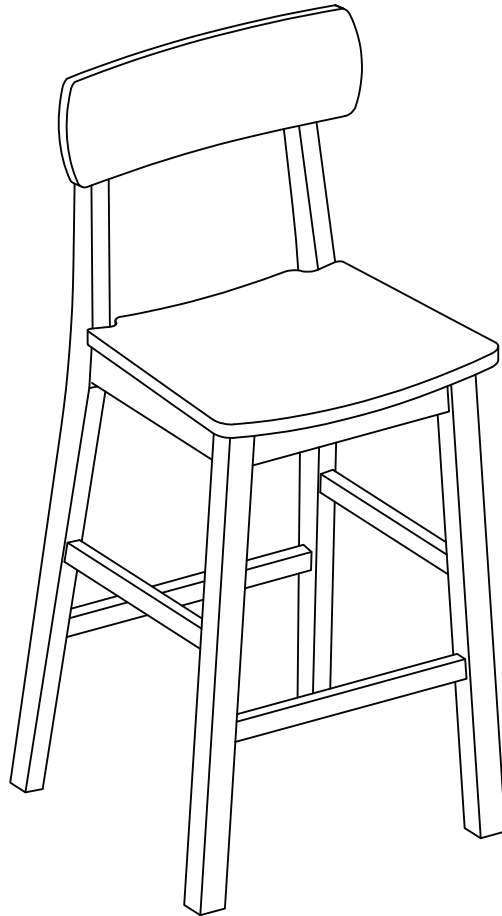




# Boraam Industries

ASSEMBLY INSTRUCTIONS

SKU: 76724,76729 | TORINO STOOL



Weight Capacity



Have questions about assembling your item?



Items or parts damaged?



Missing a part?

**We're here to help! (Monday-Friday from 9am-5pm CST)**



847-949-6300  
877-267-2261



customerservice@  
boraamindustries.com



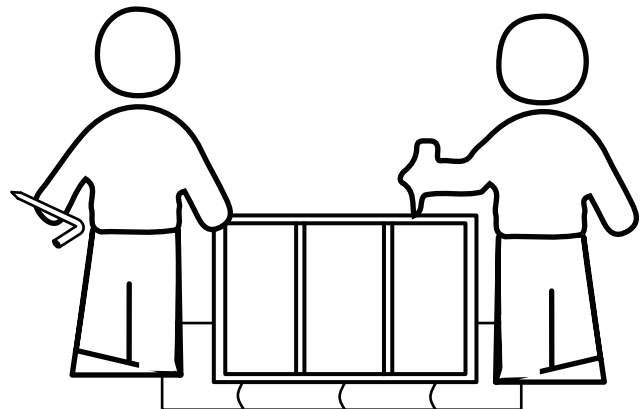
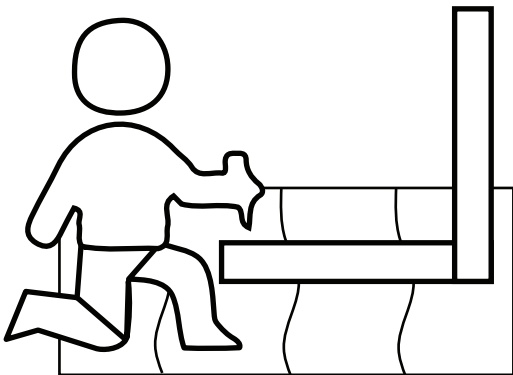
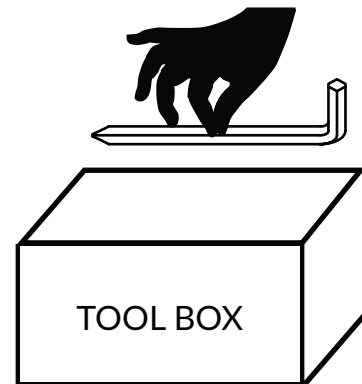
www.boraamindustries.com



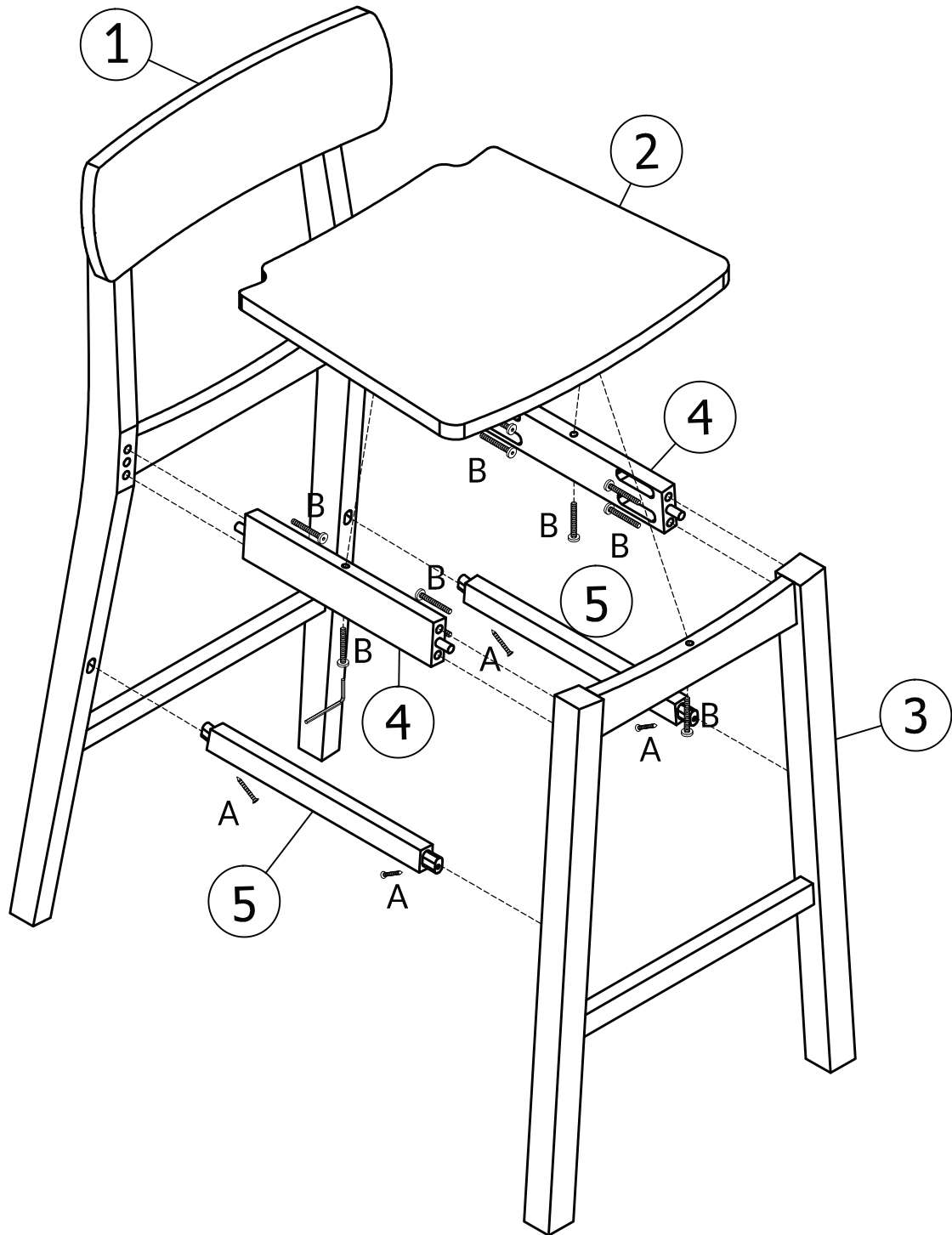
Philips screwdriver  
not included.

# Assembly And Care

- All required tools for assembly are included unless noted.
- Locate and inspect all parts for missing items or damage prior to assembly.
- Do not dispose of packing materials until assembly is completed.
- Assemble item on a soft, clean surface to prevent damage to the item.
- Proper assembly requires 2 people.



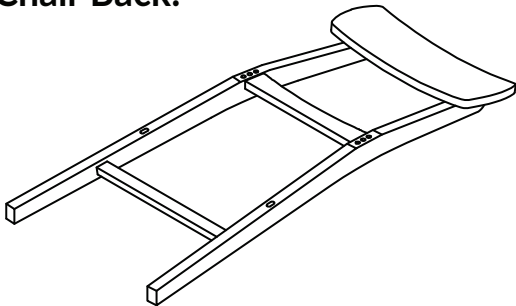
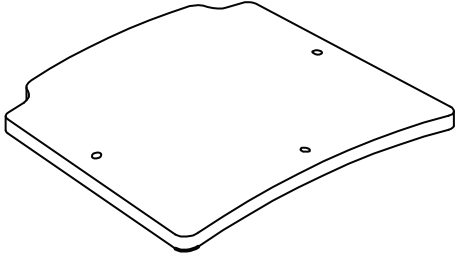
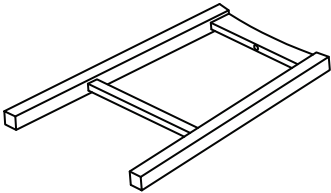
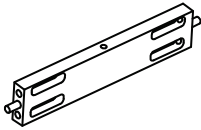
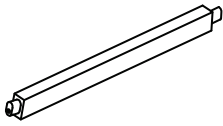
# Assembly Overview



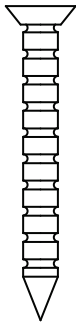
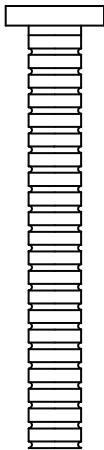

Scan the QR Code for a video to aid with assembly.

847-949-6300 | 877-267-2261 | [customerservice@boraamindustries.com](mailto:customerservice@boraamindustries.com)

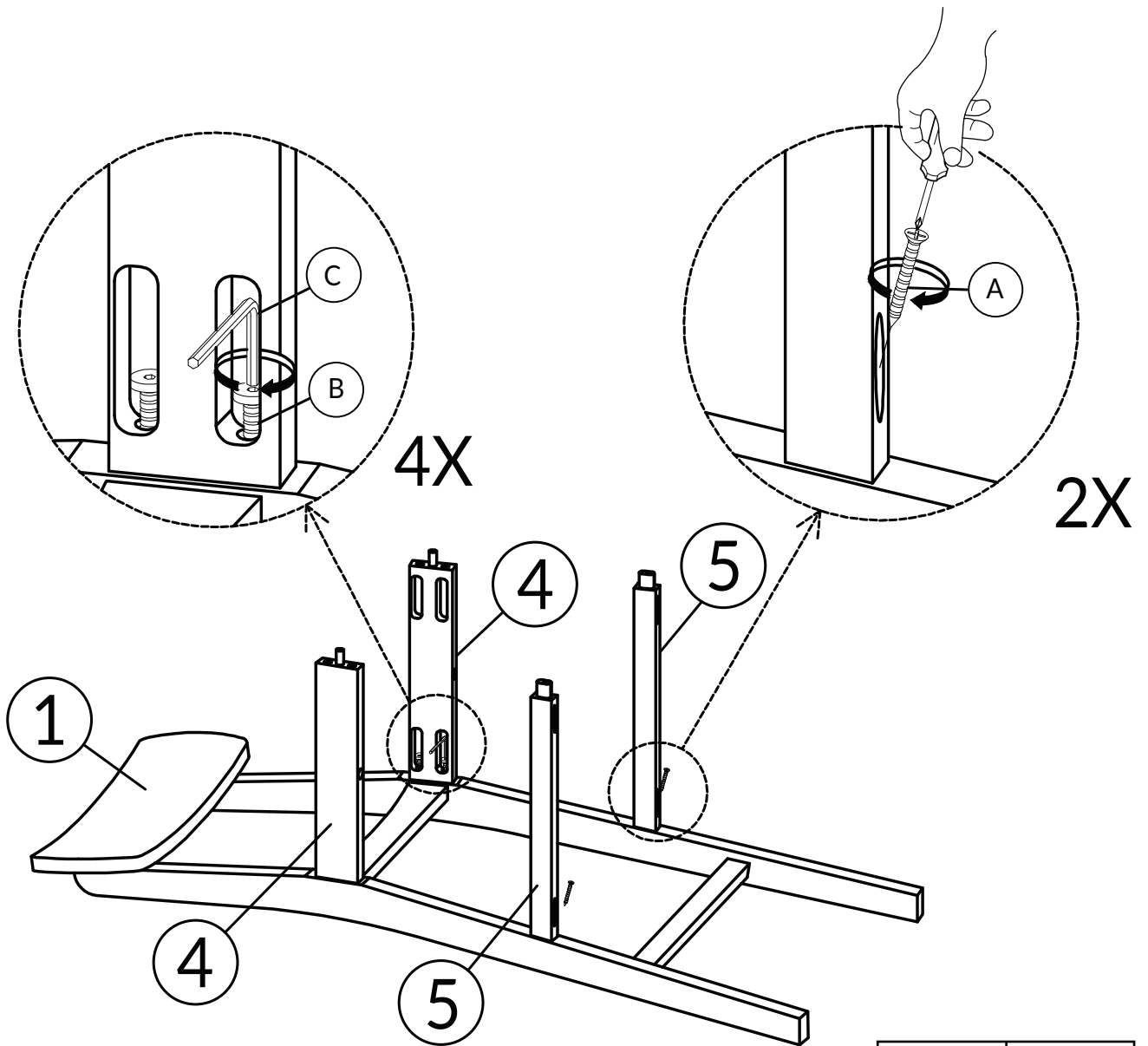
# PARTS

<p>① (x1)</p>	<p>② (x1)</p>	
<p><b>Chair Back:</b></p> 	<p><b>Seat Frame:</b></p> 	
<p>③ (x1)</p>	<p>④ (x2)</p>	<p>⑤ (x2)</p>
<p><b>Leg Frame:</b></p> 	<p><b>Side Apron:</b></p> 	<p><b>Side Stretcher:</b></p> 

# HARDWARE

<p>Ⓐ (x4)</p>	<p>Ⓑ (x11)</p>	<p>Ⓒ (x1)</p>
		
<p>Screw M4x35</p>	<p>Bolt M6x50</p>	<p>Allen Wrench</p>

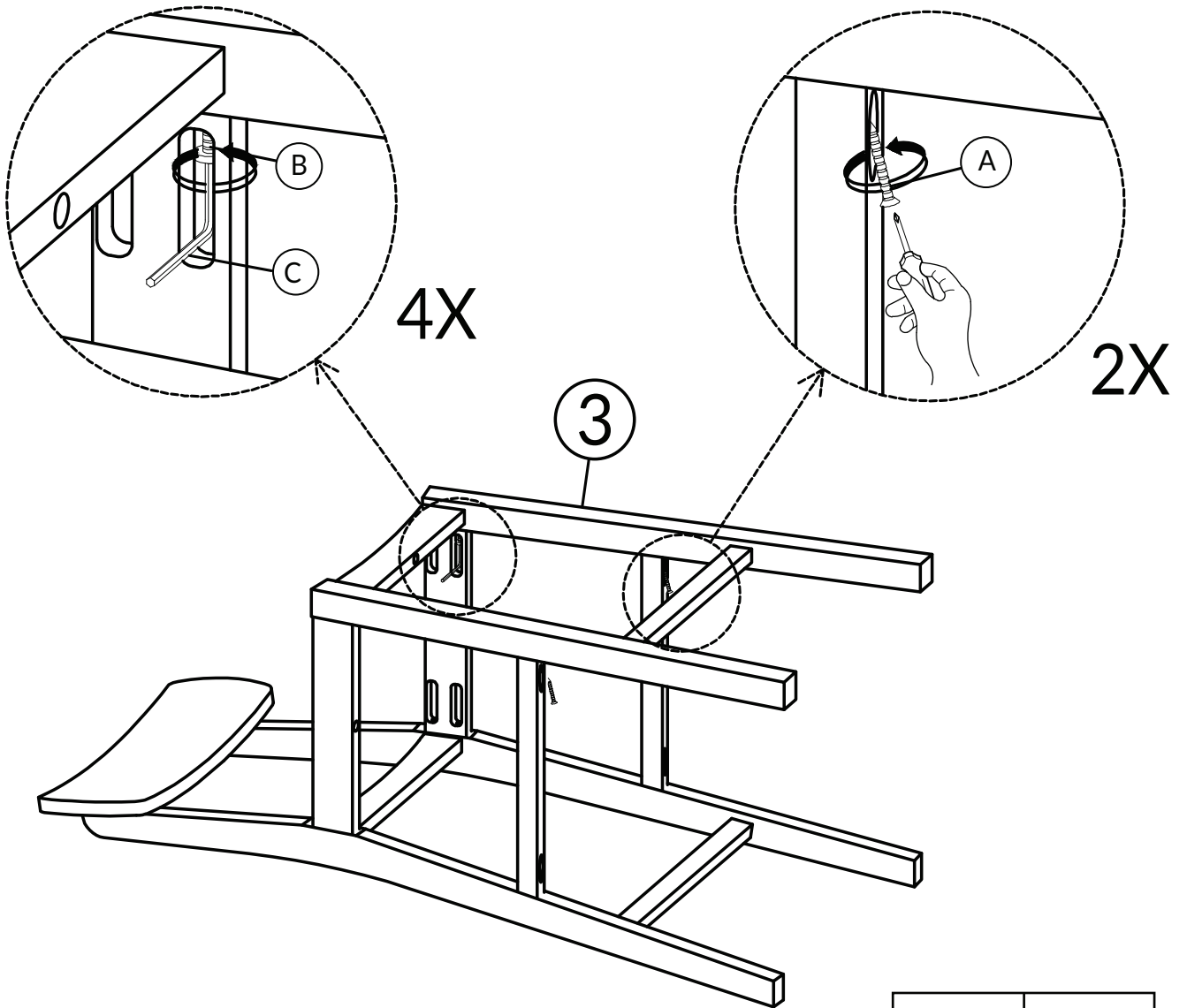
# 01



Hardware	Count
A	2
B	4
C	1

DO NOT TIGHTEN BOLT AND SCREW COMPLETELY.

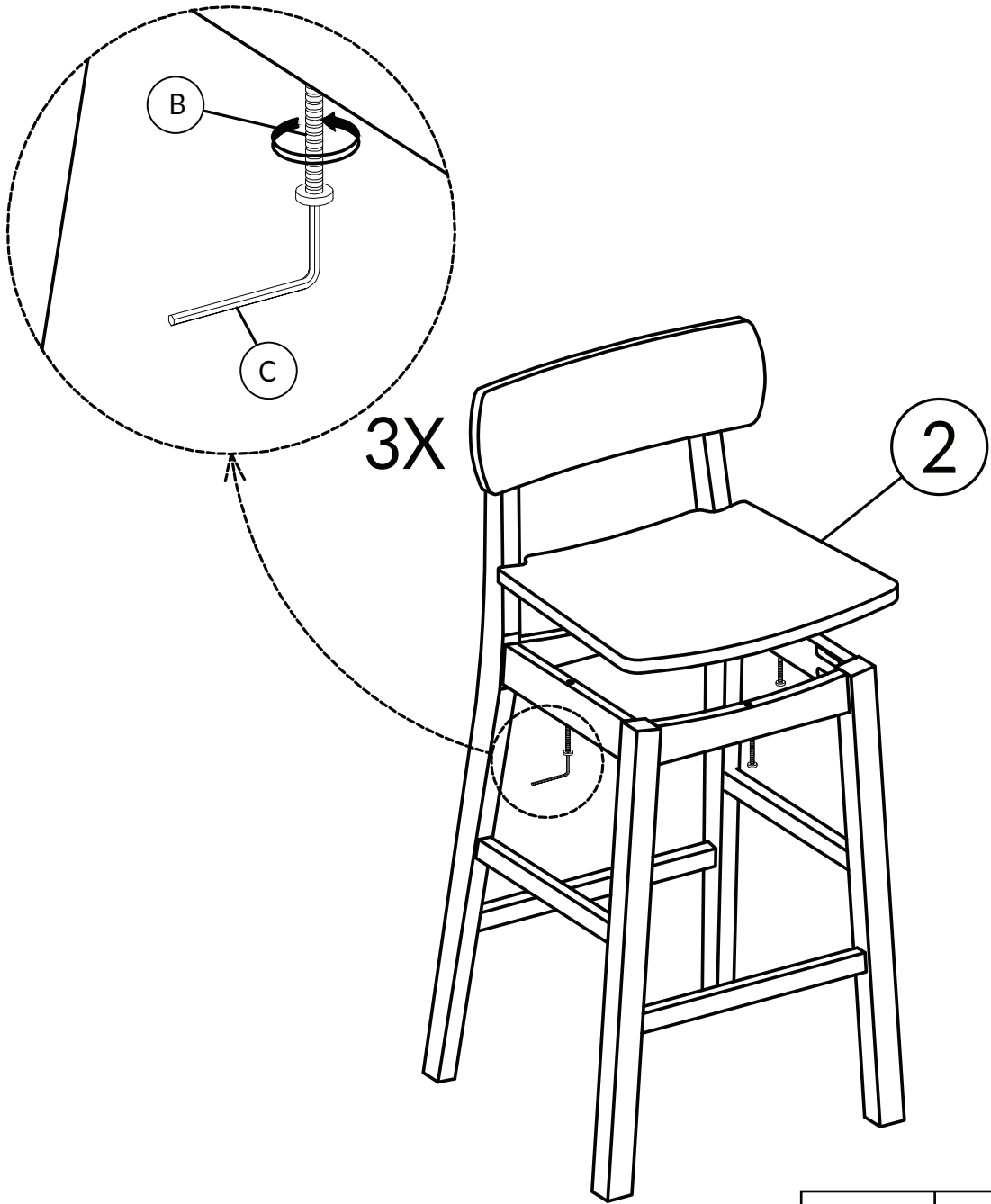
# 02



Hardware	Count
A	2
B	4
C	1

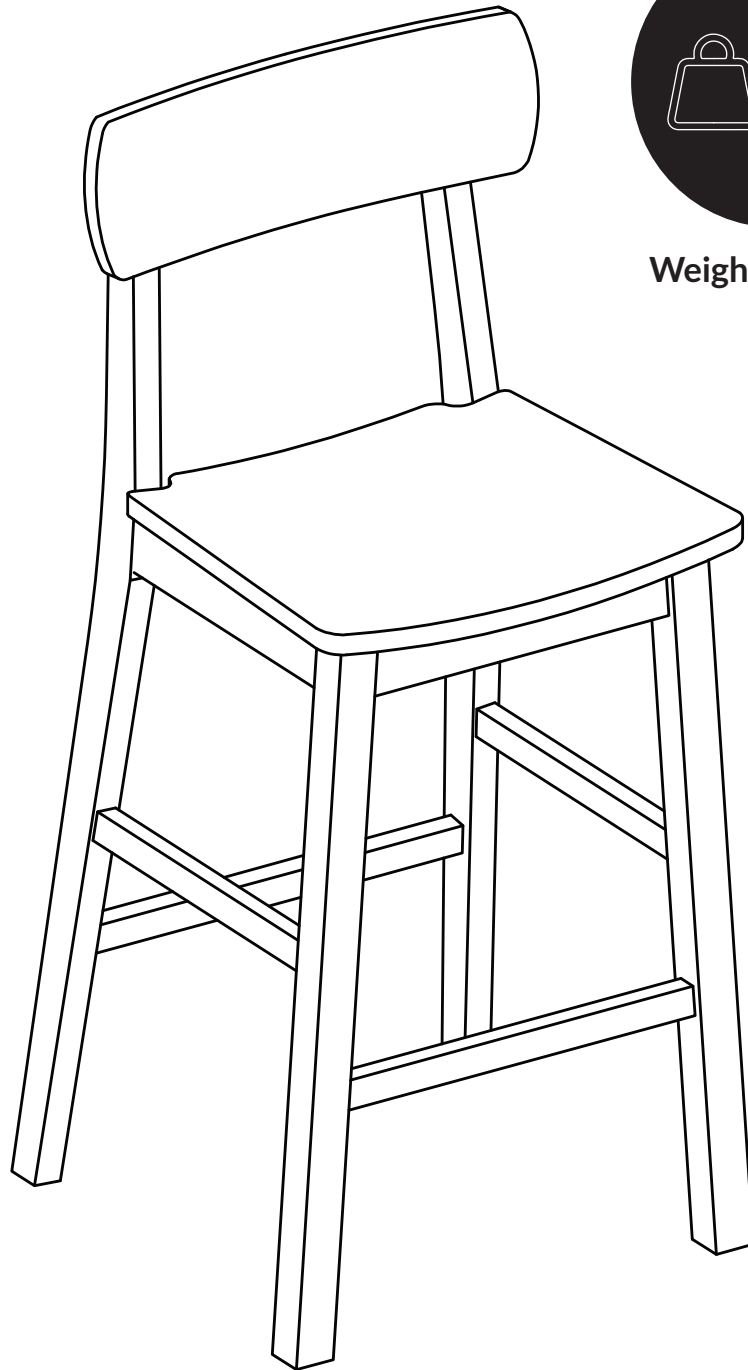
DO NOT TIGHTEN BOLT AND SCREW COMPLETELY.

# 03



Hardware	Count
B	3
C	1

TIGHTEN BOLT AND SCREW COMPLETELY.



**Weight Capacity**

**BE SURE TO CHECK ALL BOLTS ARE SECURELY TIGHTENED PRIOR TO USE.**

847-949-6300 | 877-267-2261 | [customerservice@boraamindustries.com](mailto:customerservice@boraamindustries.com)