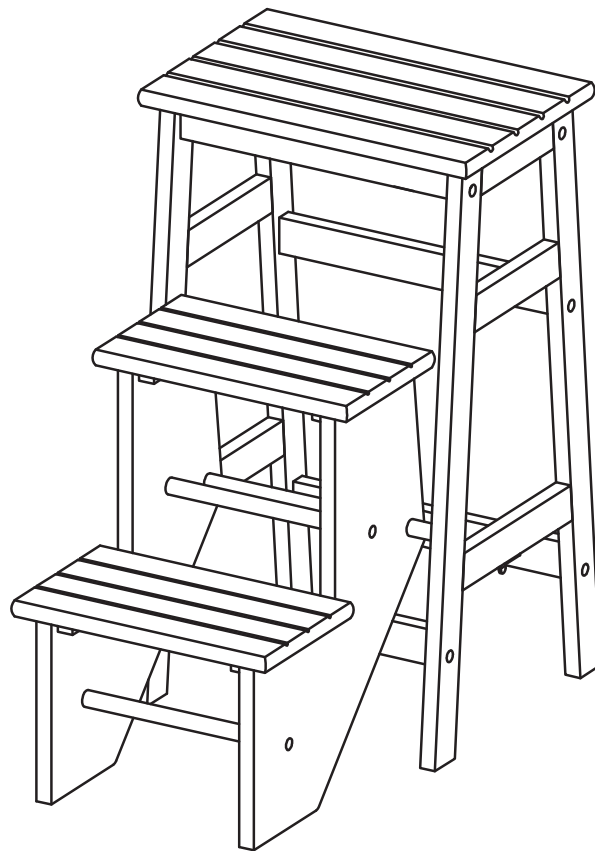




Boraam Industries

ASSEMBLY INSTRUCTIONS

SKU: 36629,36729,36829
NIKO 29" FOLDING STEP STOOL



Weight Capacity

Version 1 / Updated as of 11-17-23



Have questions about assembling your item?



Items or parts damaged?



Missing a part?

We're here to help! (Monday-Friday from 9am-5pm CST)



847-949-6300
877-267-2261



customerservice@
boraamindustries.com



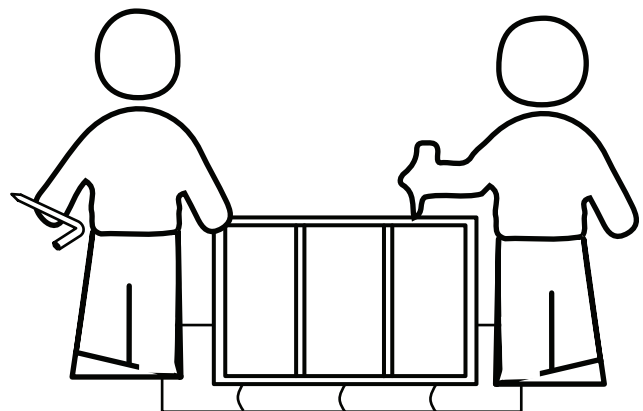
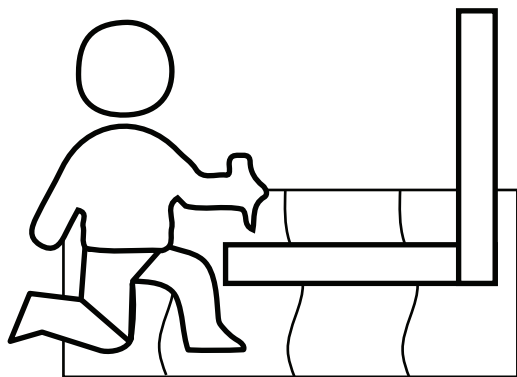
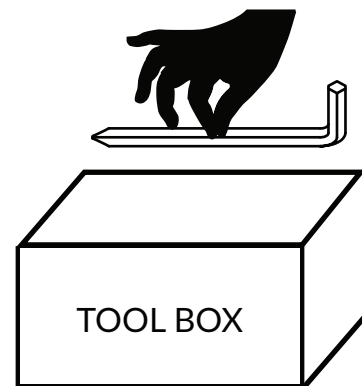
www.boraamindustries.com



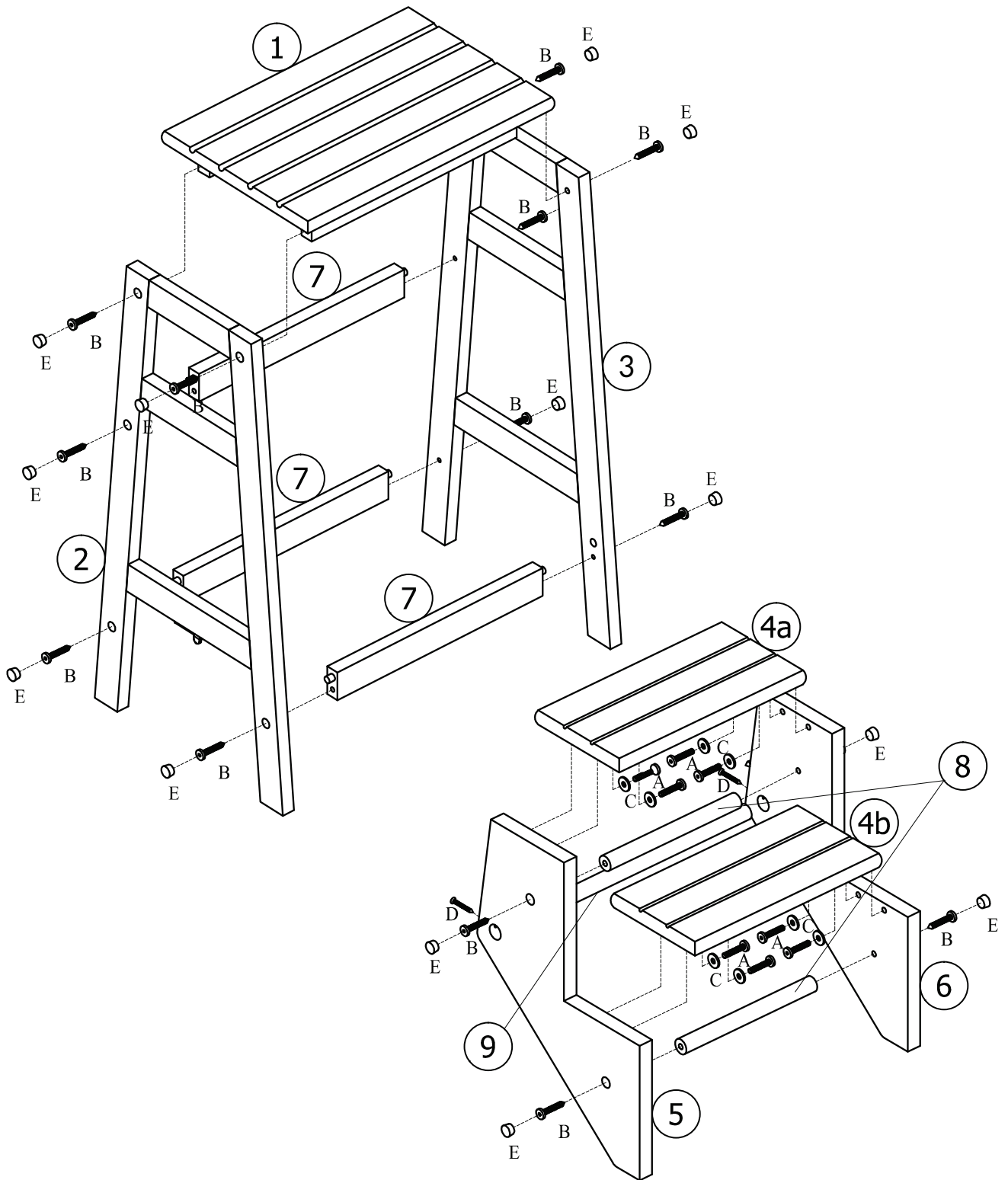
Philips screwdriver
not included.

Assembly And Care

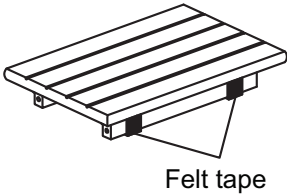
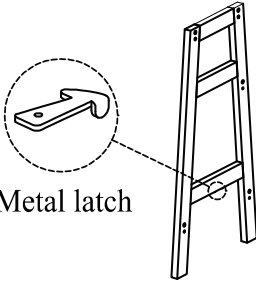
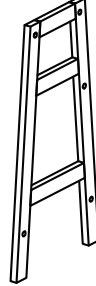
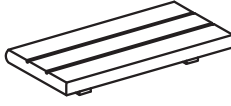

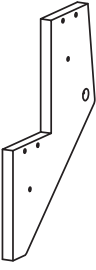




- All tools required for assembly are included unless noted.
- Prior to assembly, check for missing or damaged parts.
- Do not dispose of packaging materials until assembly is completed.
- Assemble item on a soft, clean surface to prevent damage to the item.



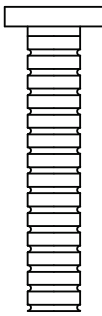
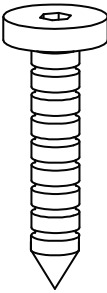
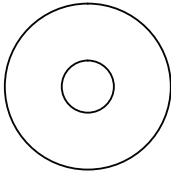
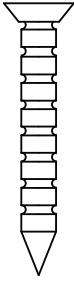
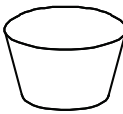

Assembly Overview



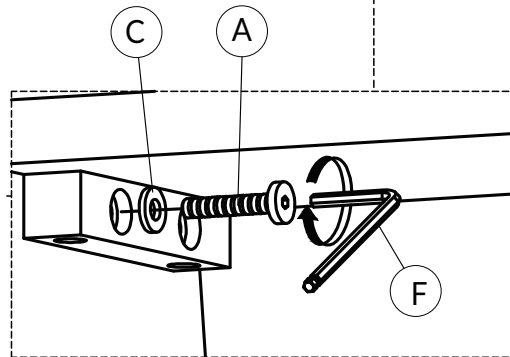
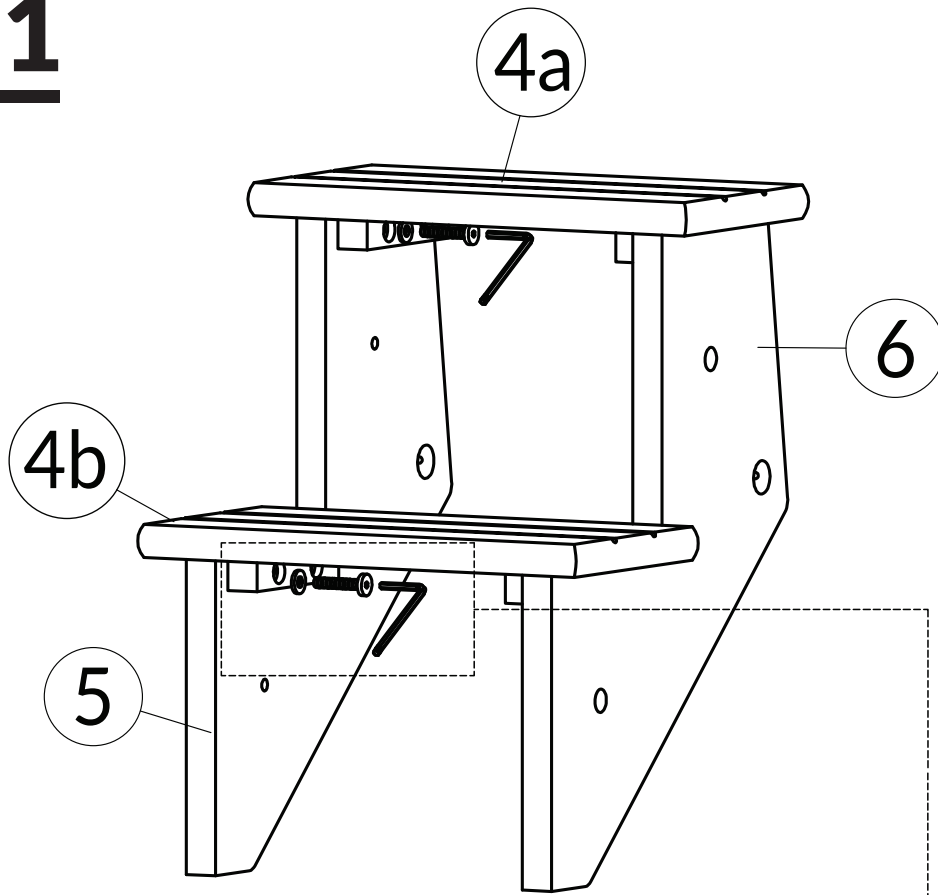
PARTS

<p>① (x1)</p>	<p>② (x1)</p>	<p>③ (x1)</p>	<p>④ (x2)</p>	
<p>Top panel:</p>  <p>Felt tape</p>	<p>Left:</p>  <p>Metal latch</p>	<p>Right:</p> 	<p>Bottom step:</p> <p>④a</p>  <p>④b</p> 	
<p>⑤ (x1)</p>	<p>⑥ (x1)</p>	<p>⑦ (x3)</p>	<p>⑧ (x2)</p>	<p>⑨ (x1)</p>
<p>Left:</p> 	<p>Right:</p> 			

HARDWARE

<p>Ⓐ (x8)</p>	<p>Ⓑ (x14)</p>	<p>Ⓒ (x8)</p>	<p>Ⓓ (x2)</p>	<p>Ⓔ (x14)</p>	<p>Ⓕ (x1)</p>
					
<p>Bolt M6x35</p>	<p>Screw M6x30</p>	<p>Flat Washer</p>	<p>Screw M4x30</p>	<p>Wood Button</p>	<p>Allen Wrench</p>

01

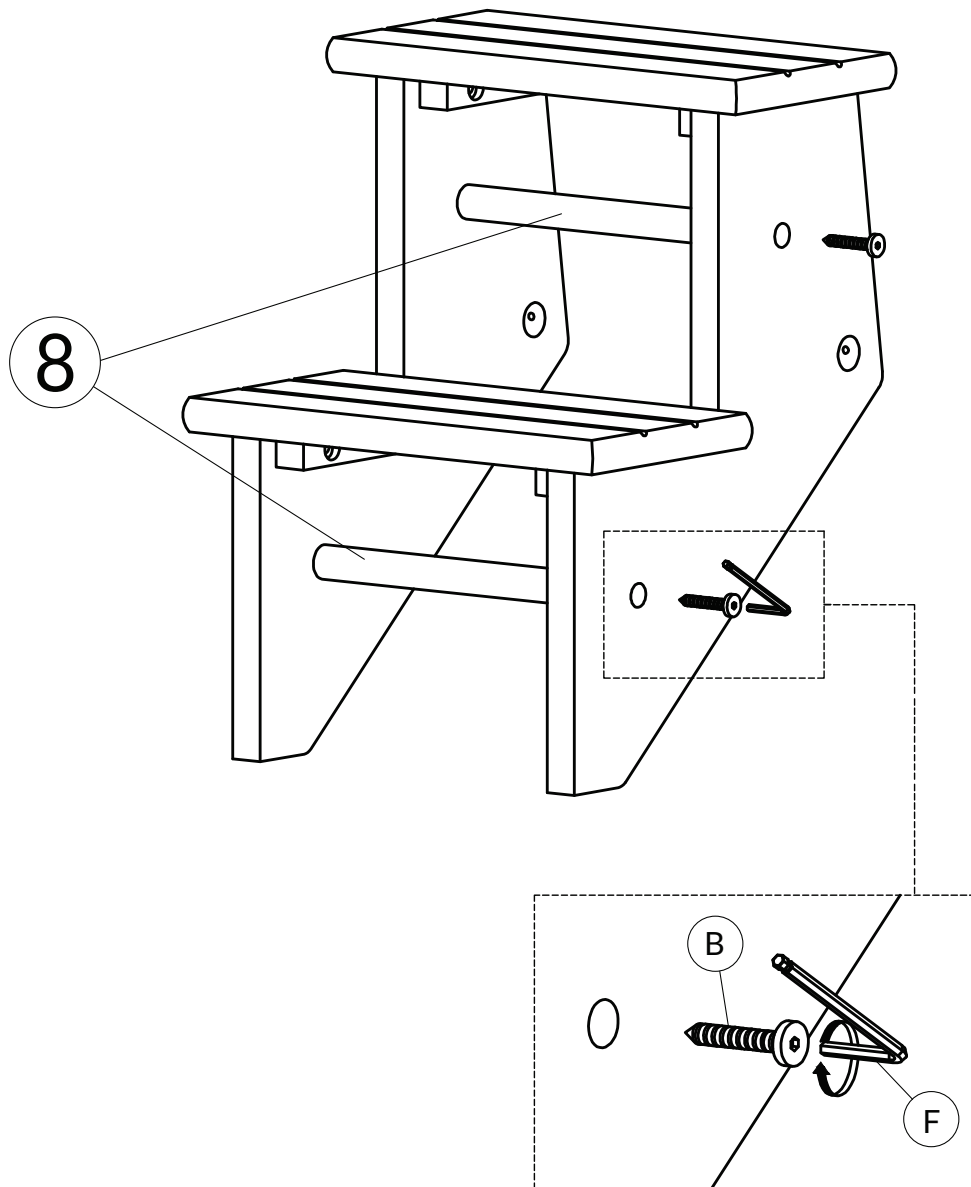


8X

Hardware	Count
A	8
C	8
F	1

DO NOT TIGHTEN BOLT COMPLETELY.

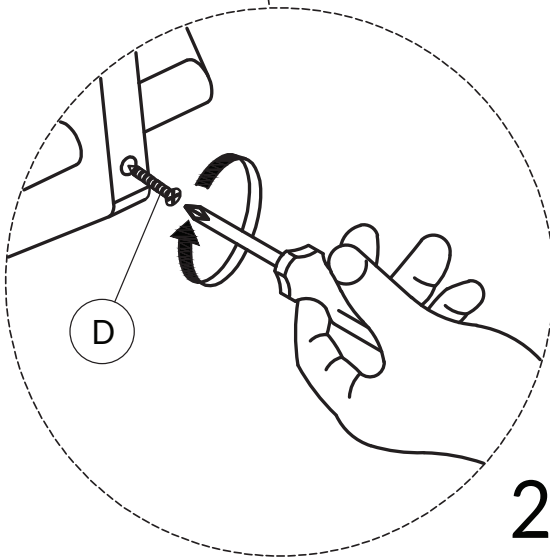
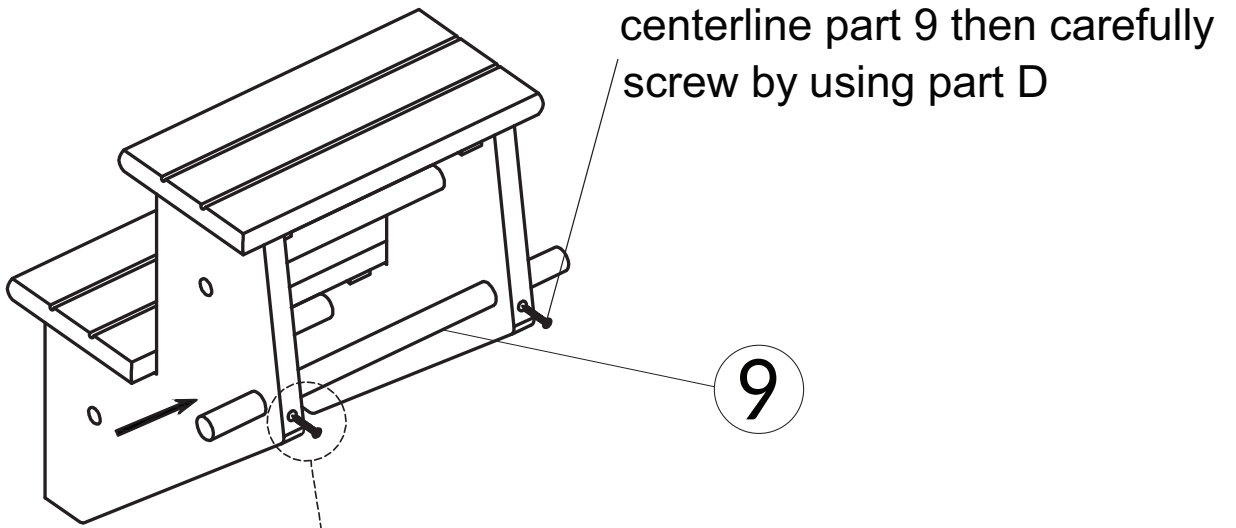
02



Hardware	Count
B	4
F	1

DO NOT TIGHTEN BOLT COMPLETELY.

03

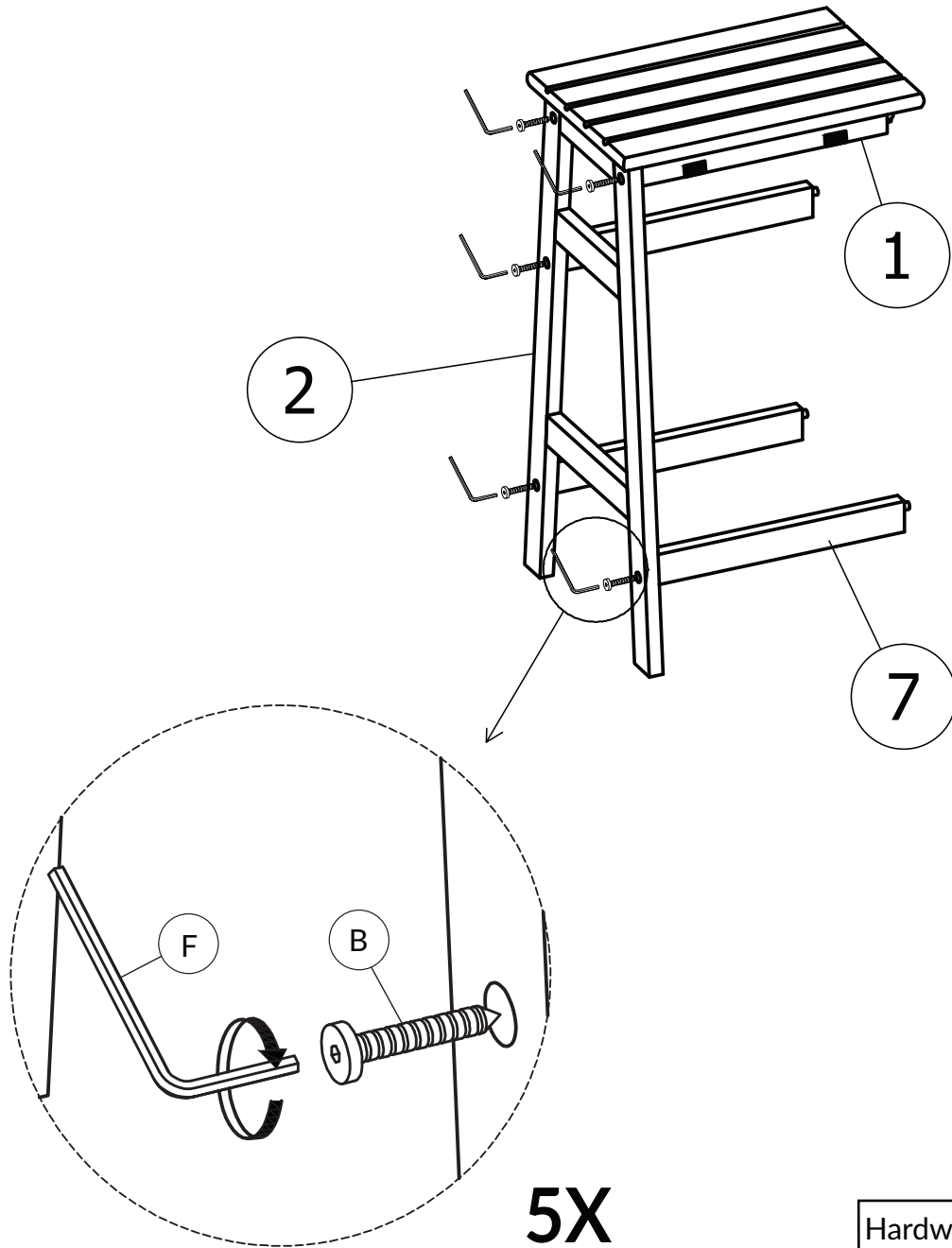


2X

Hardware	Count
D	2

TIGHTEN SCREW COMPLETELY.

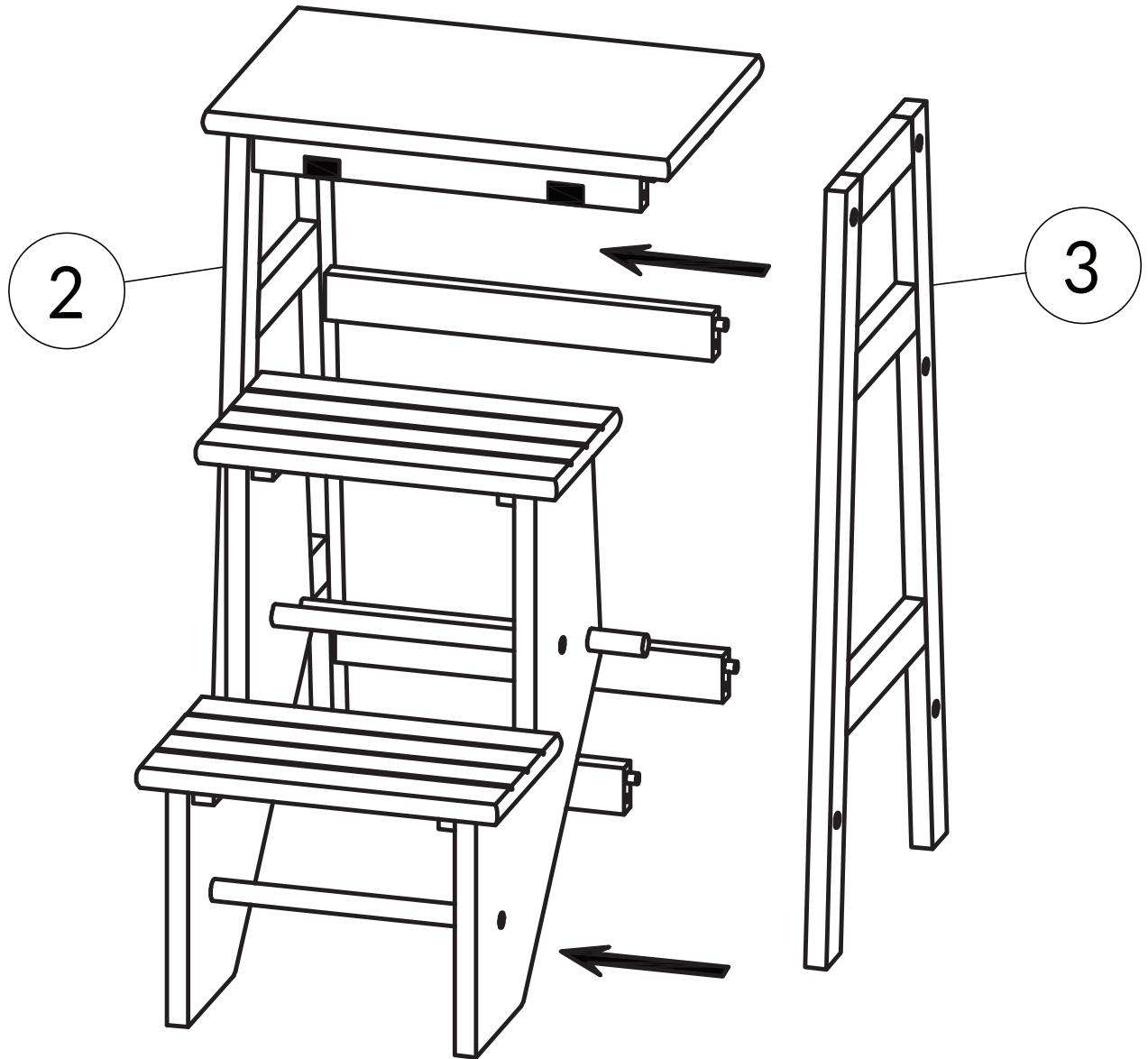
04



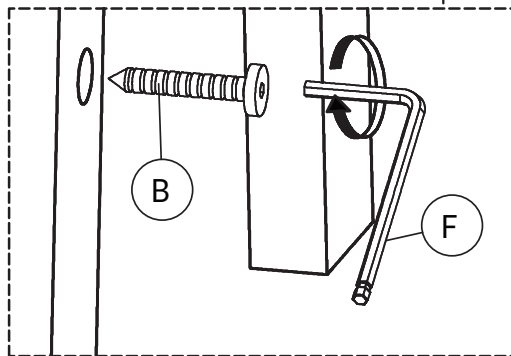
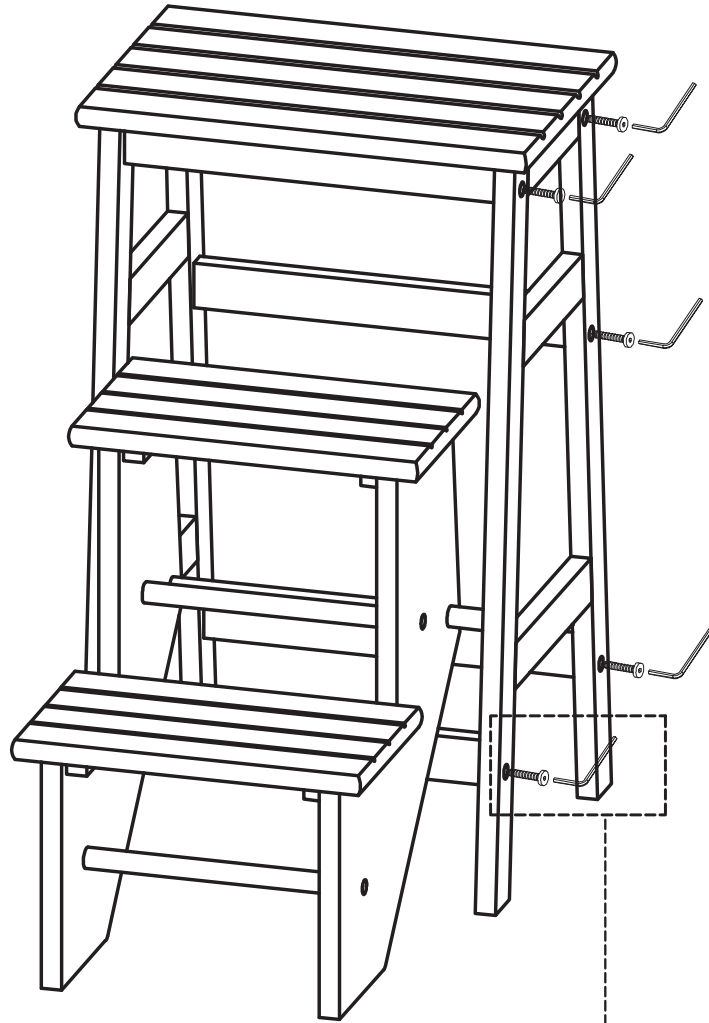
Hardware	Count
B	5
F	1

TIGHTEN SCREW COMPLETELY.

05



06

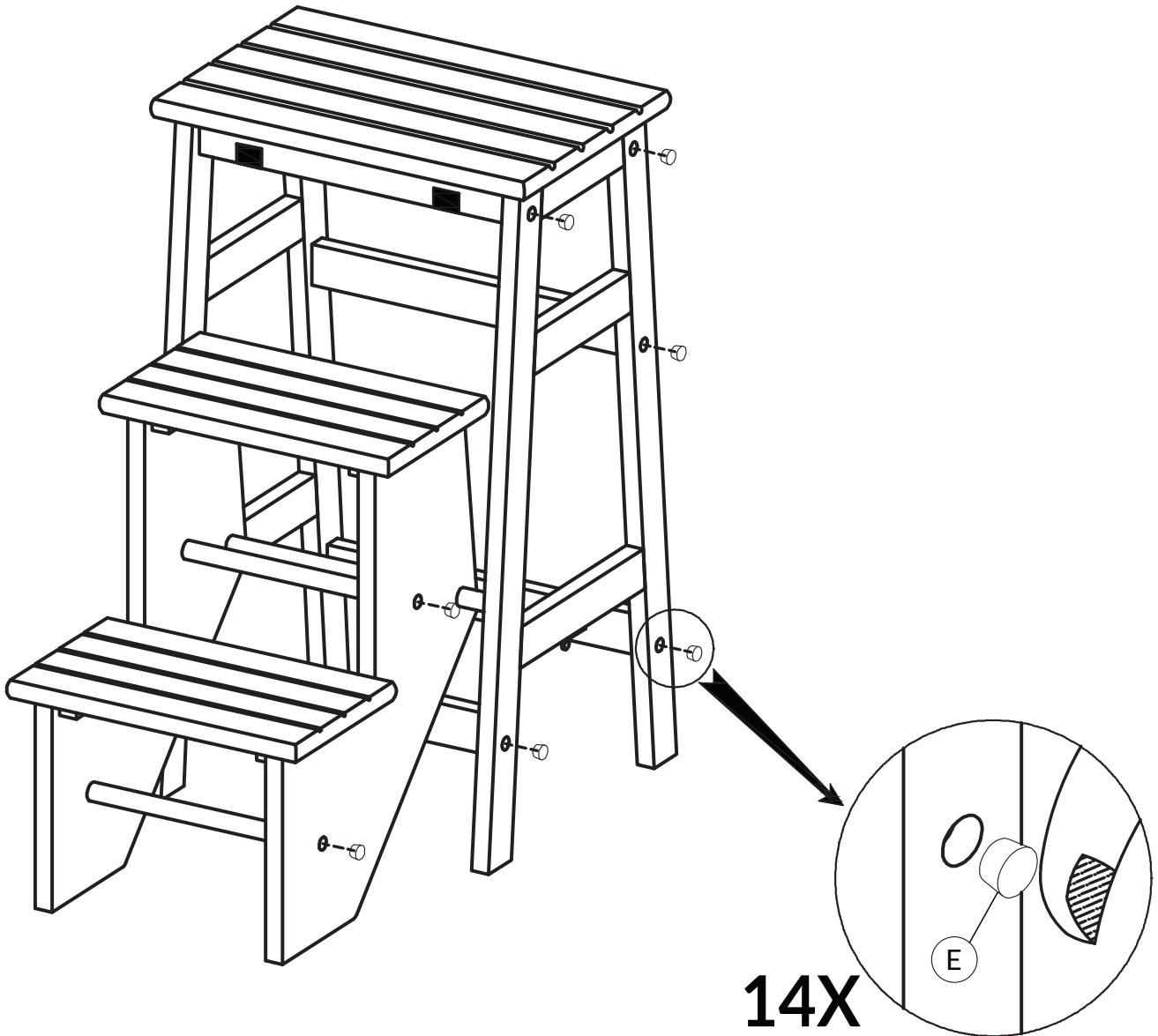


5X

Hardware	Count
B	5
F	1

TIGHTEN BOLT AND SCREW COMPLETELY.

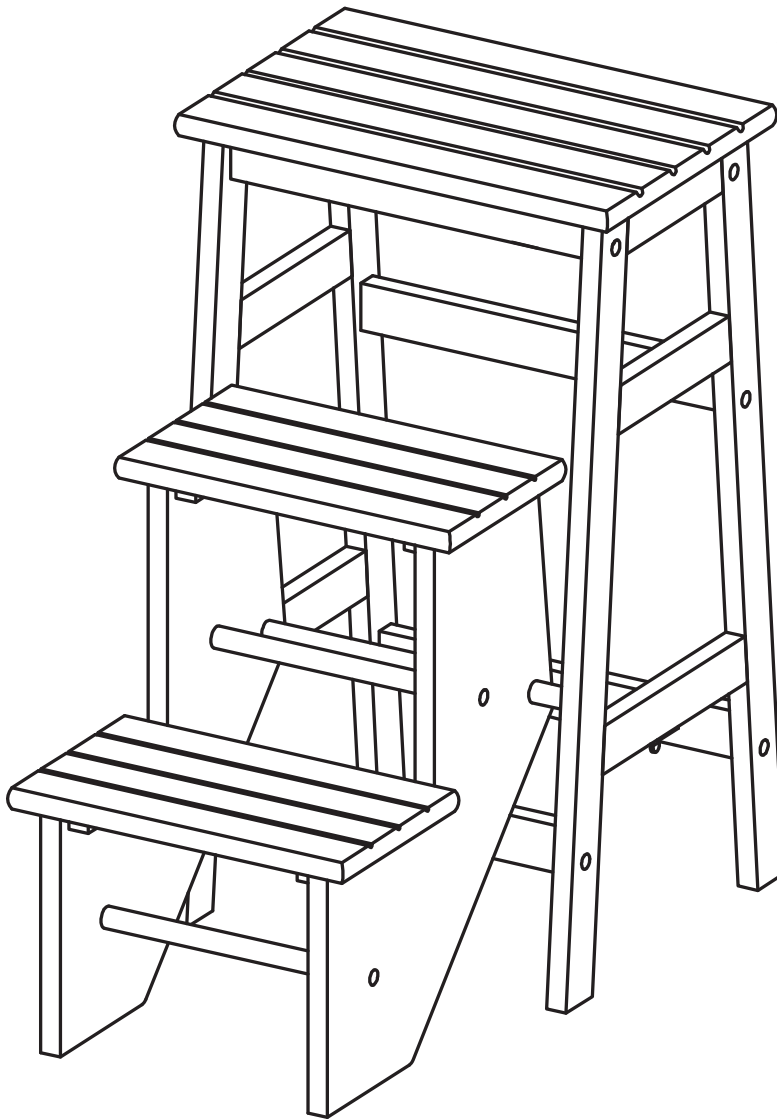
07



Hardware	Count
E	14



Weight Capacity



BE SURE TO CHECK ALL BOLTS ARE SECURELY TIGHTENED PRIOR TO USE.

847-949-6300 | 877-267-2261 | customerservice@boraamindustries.com