

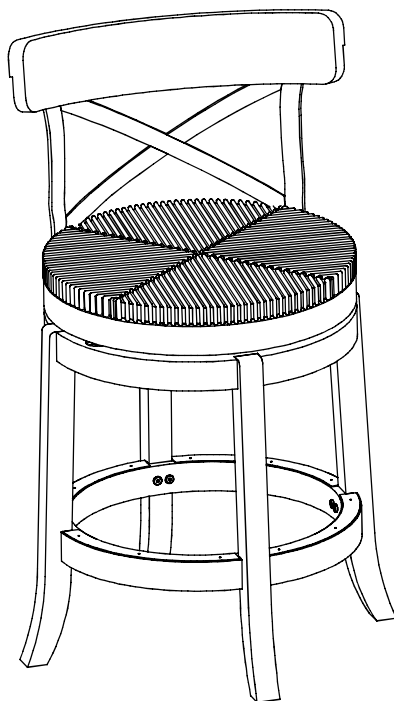


Boraam Industries

ASSEMBLY INSTRUCTIONS

SKU: 76824,76829,76924,76929

MYRTLE SWIVEL STOOL



Have questions about assembling your item?



Items or parts damaged?



Missing a part?

We're here to help! (Monday-Friday from 9am-5pm CST)



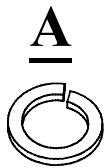
847-949-6300
877-267-2261



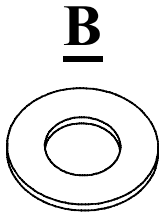
customerservice@
boraamindustries.com



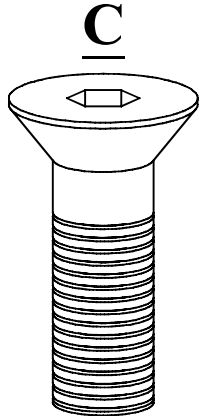
www.boraamindustries.com



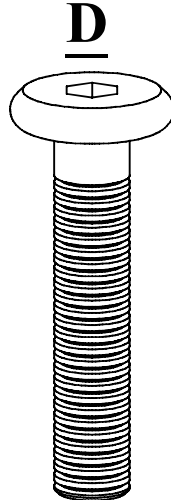
A
M6*10
20 PCS



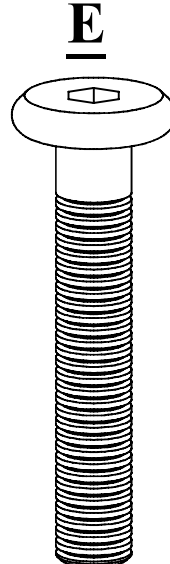
B
M6*16
20 PCS



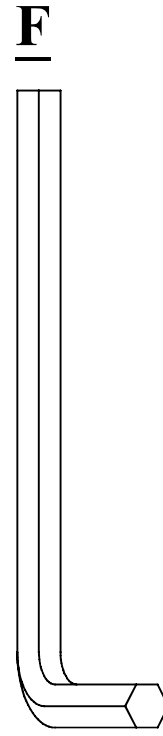
C
M8*25
4 PCS



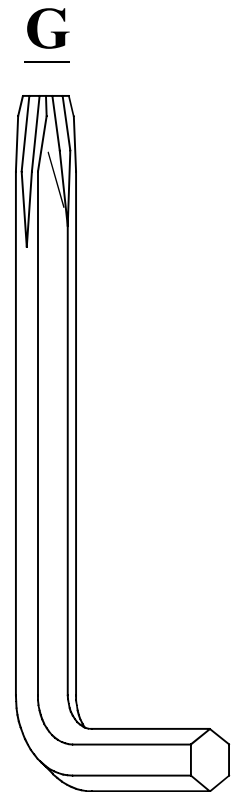
D
M6*30
12 PCS



E
M6*35
8 PCS

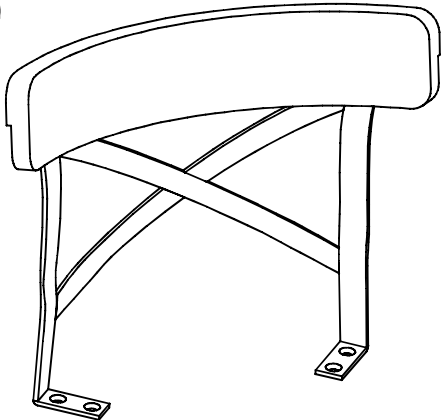


F
M4*110
1 PC

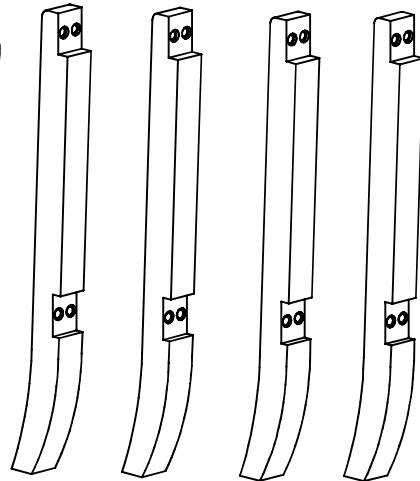


G
M5*80
1 PC

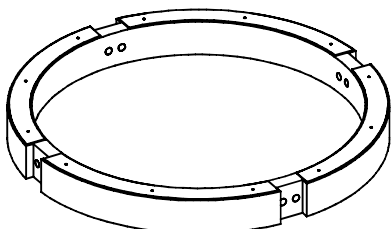
1



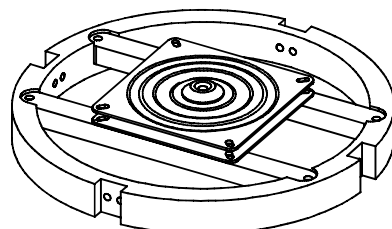
2



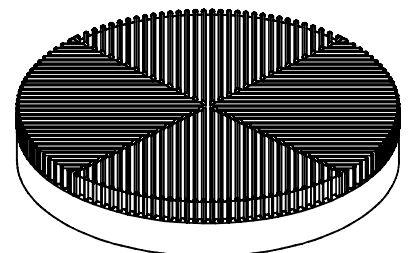
3



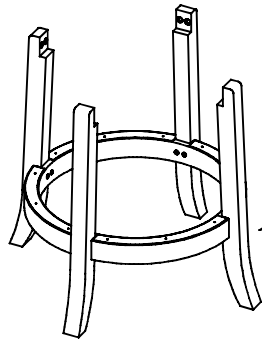
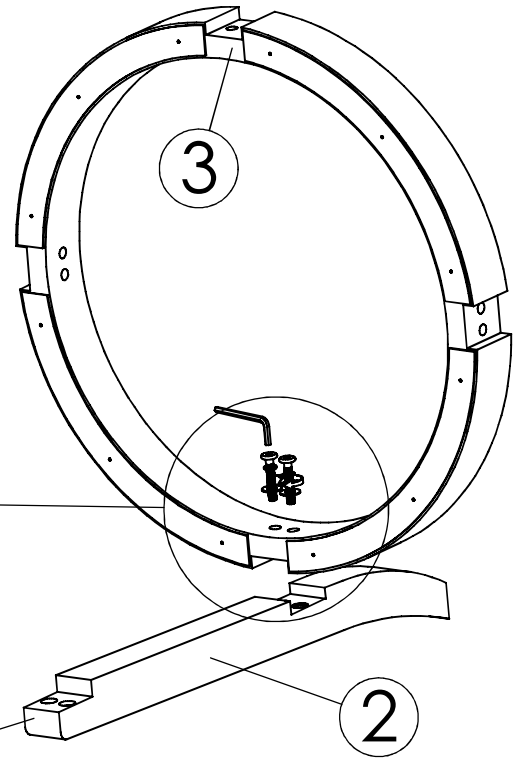
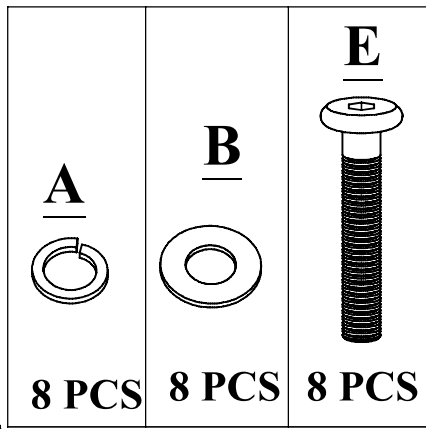
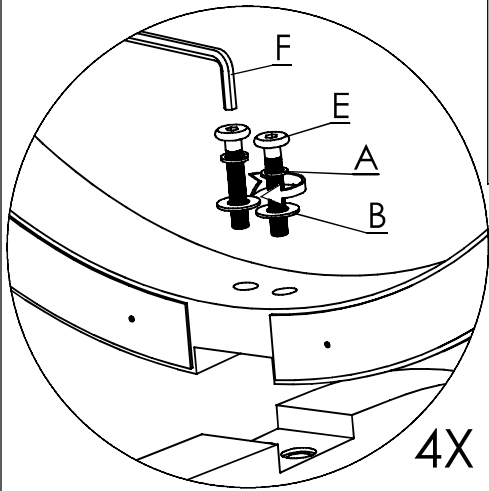
4



5

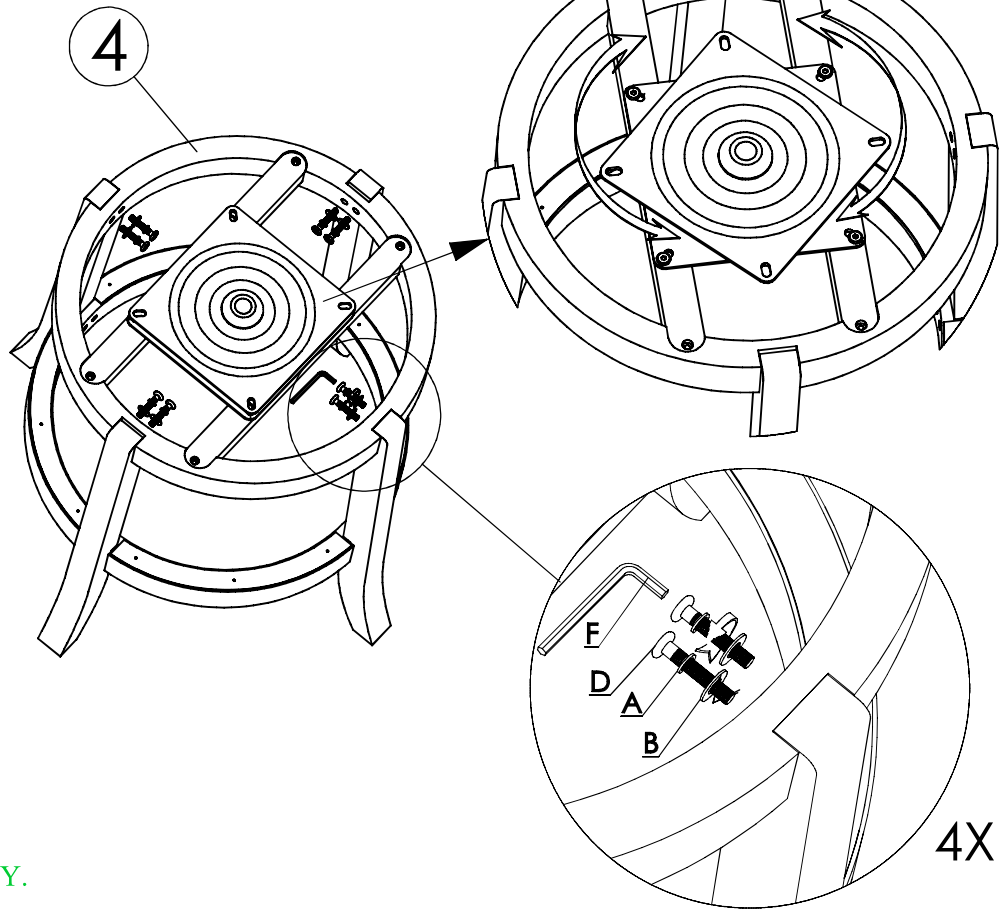
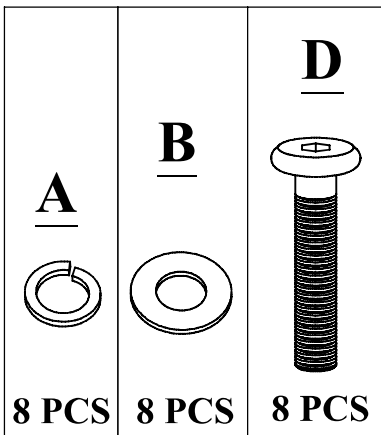


01



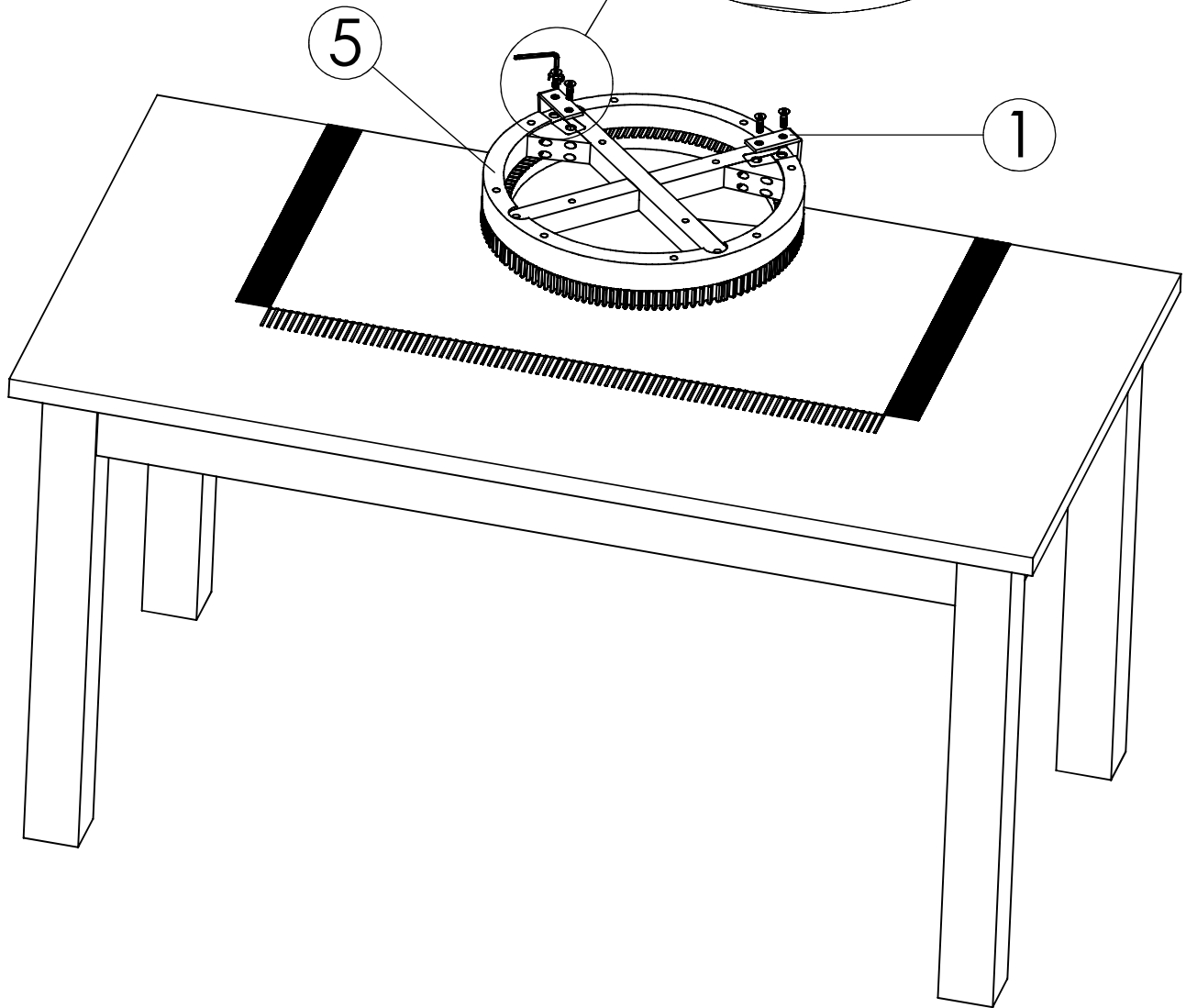
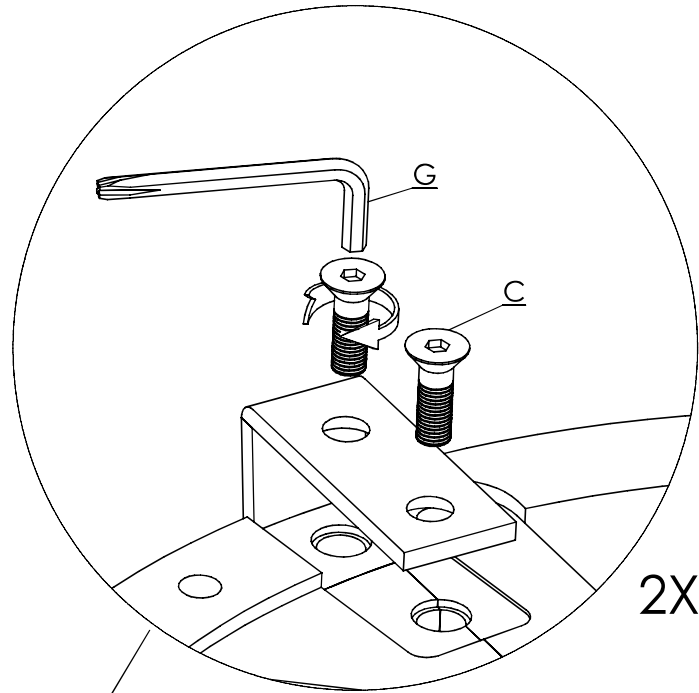
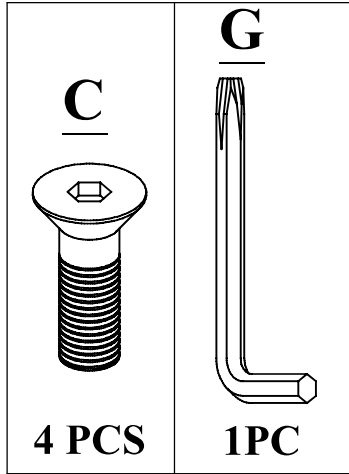
DO NOT TIGHTEN BOLT COMPLETELY.

02



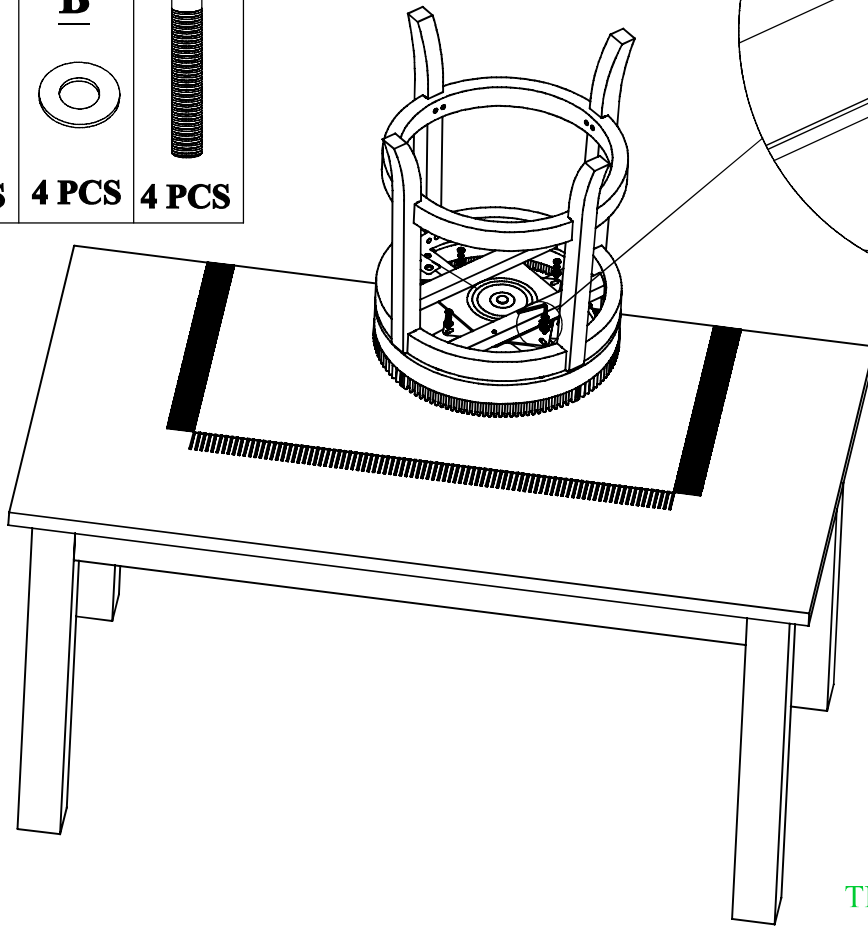
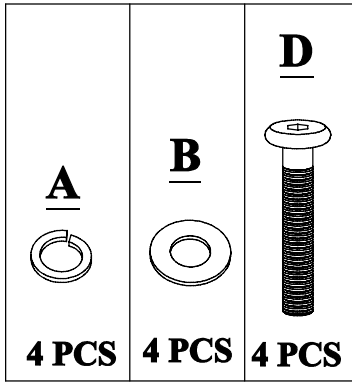
TIGHTEN BOLT COMPLETELY.

03

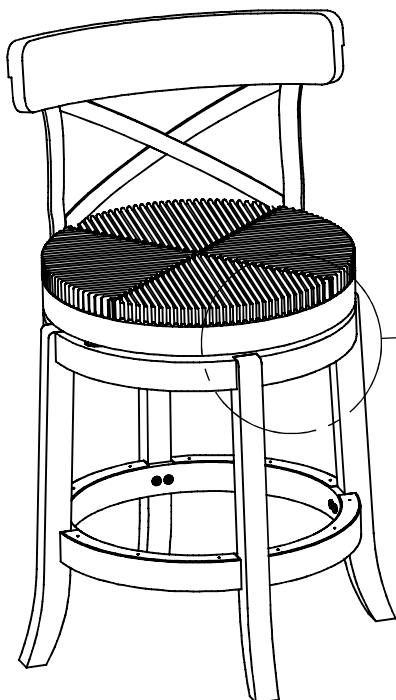


TIGHTEN BOLT COMPLETELY.

04



TIGHTEN BOLT COMPLETELY.



BE SURE TO CHECK ALL BOLTS ARE SECURELY TIGHTENED PRIOR USING THIS STOOL.