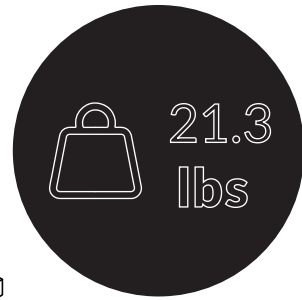
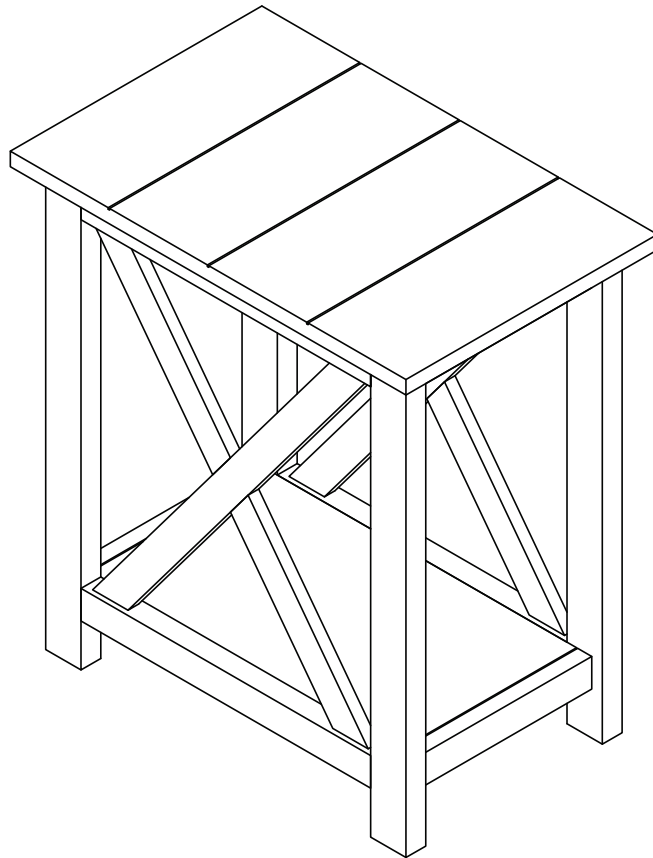




Boraam Industries

ASSEMBLY INSTRUCTIONS

SKU: 77408 | JAMESTOWN SIDETABLE



Weight Capacity

Version 1 / Updated as of 11-17-23



Have questions about assembling your item?



Items or parts damaged?



Missing a part?

We're here to help! (Monday-Friday from 9am-5pm CST)



847-949-6300
877-267-2261



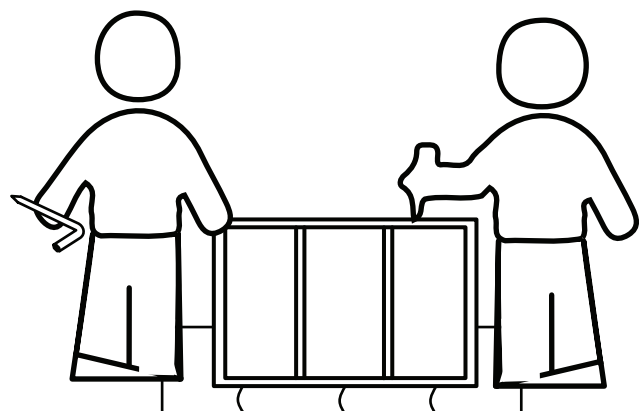
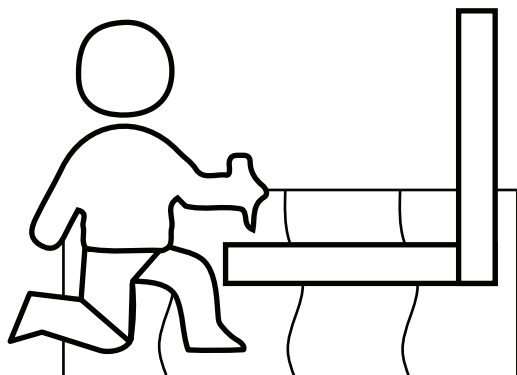
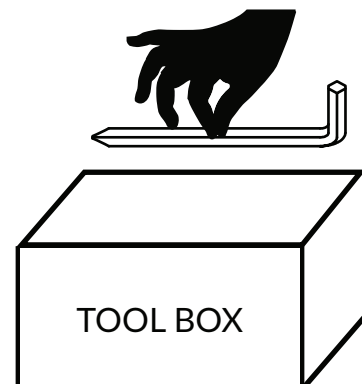
customerservice@
boraamindustries.com



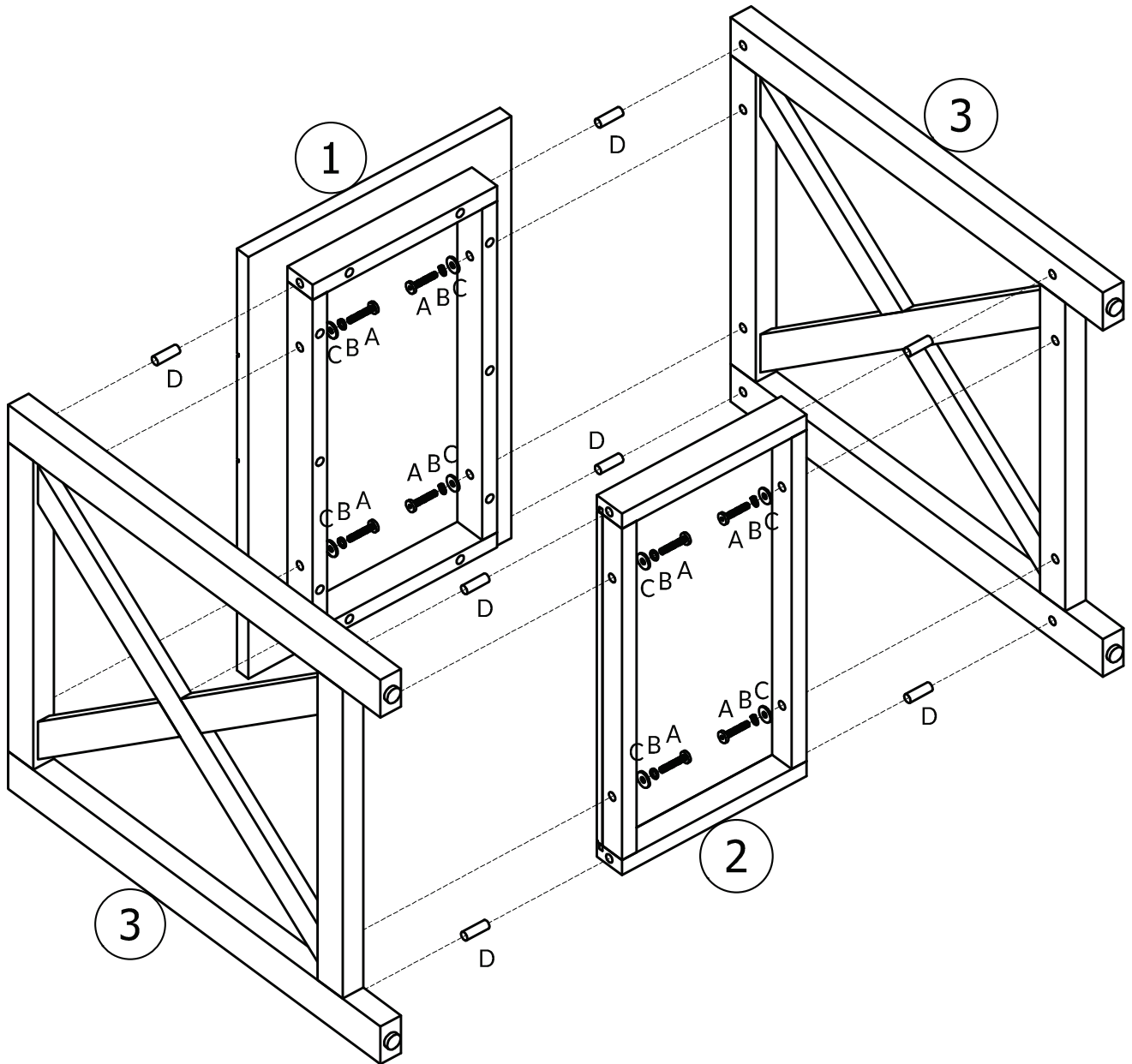
www.boraamindustries.com

Assembly And Care

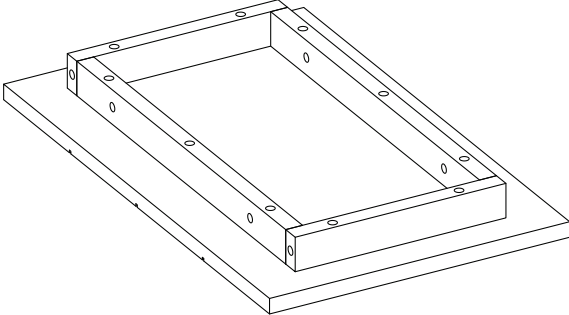
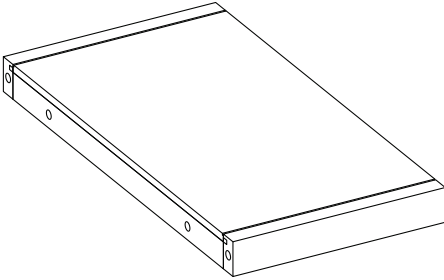
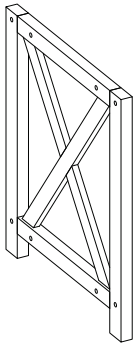
- All tools required for assembly are included unless noted.
- Prior to assembly, check for missing or damaged parts.
- Do not dispose of packaging materials until assembly is completed.
- Assemble item on a soft, clean surface to prevent damage to the item.



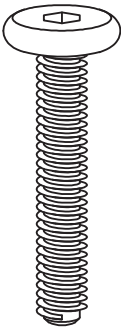
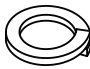
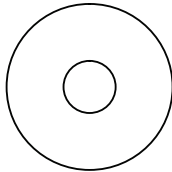


Assembly Overview



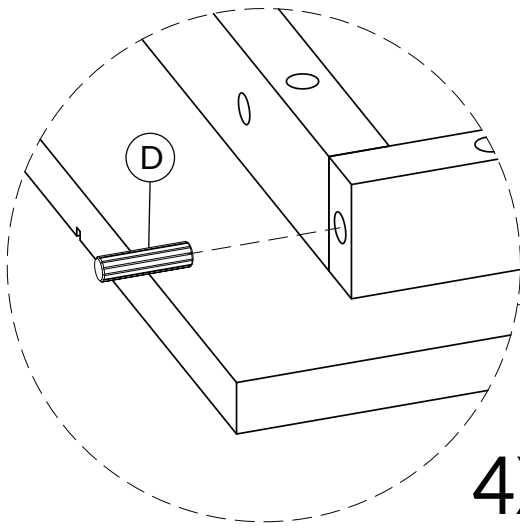
PARTS

① (x1)	
Top Panel : 	
② (x1)	③ (x2)
Shelf : 	Side Panel : 

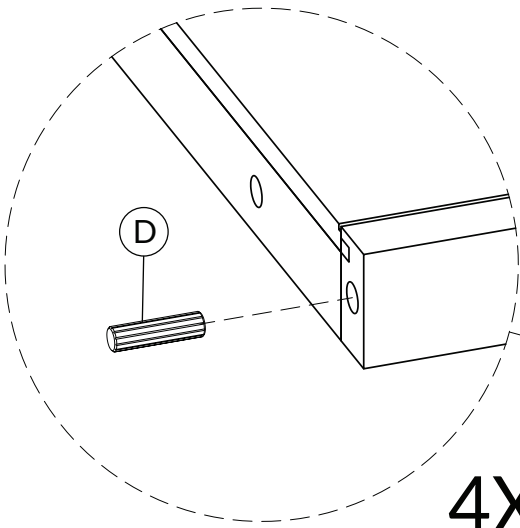
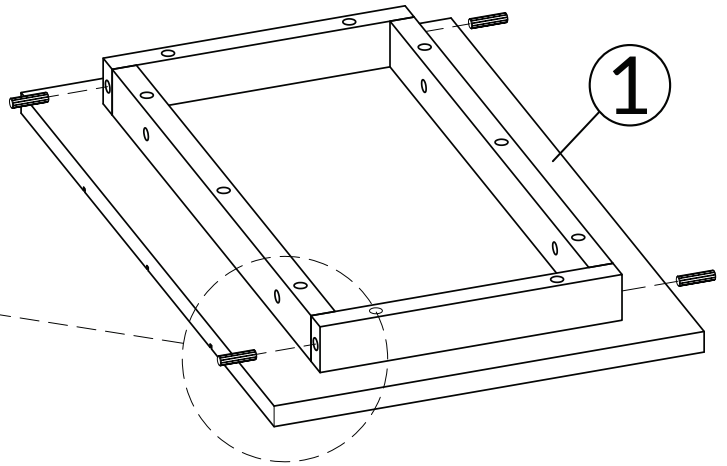
HARDWARE

Ⓐ (x8)	Ⓑ (x8)	Ⓒ (x8)	Ⓓ (x8)	Ⓔ (x1)
				
Bolt M6x35	Spring Washer	Flat Washer	Wooden Dowel	Allen Wrench

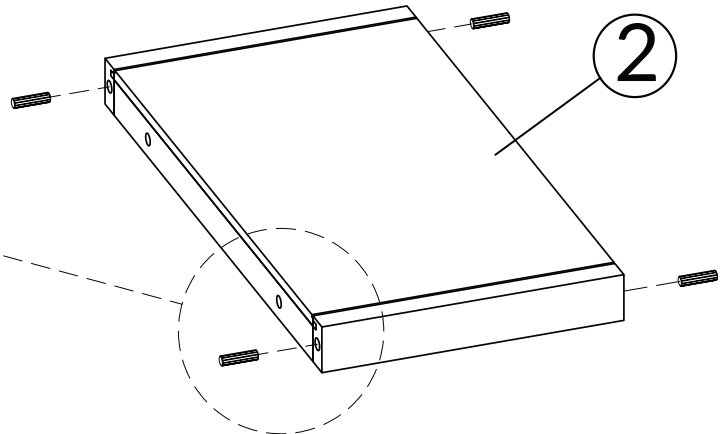
01



4X

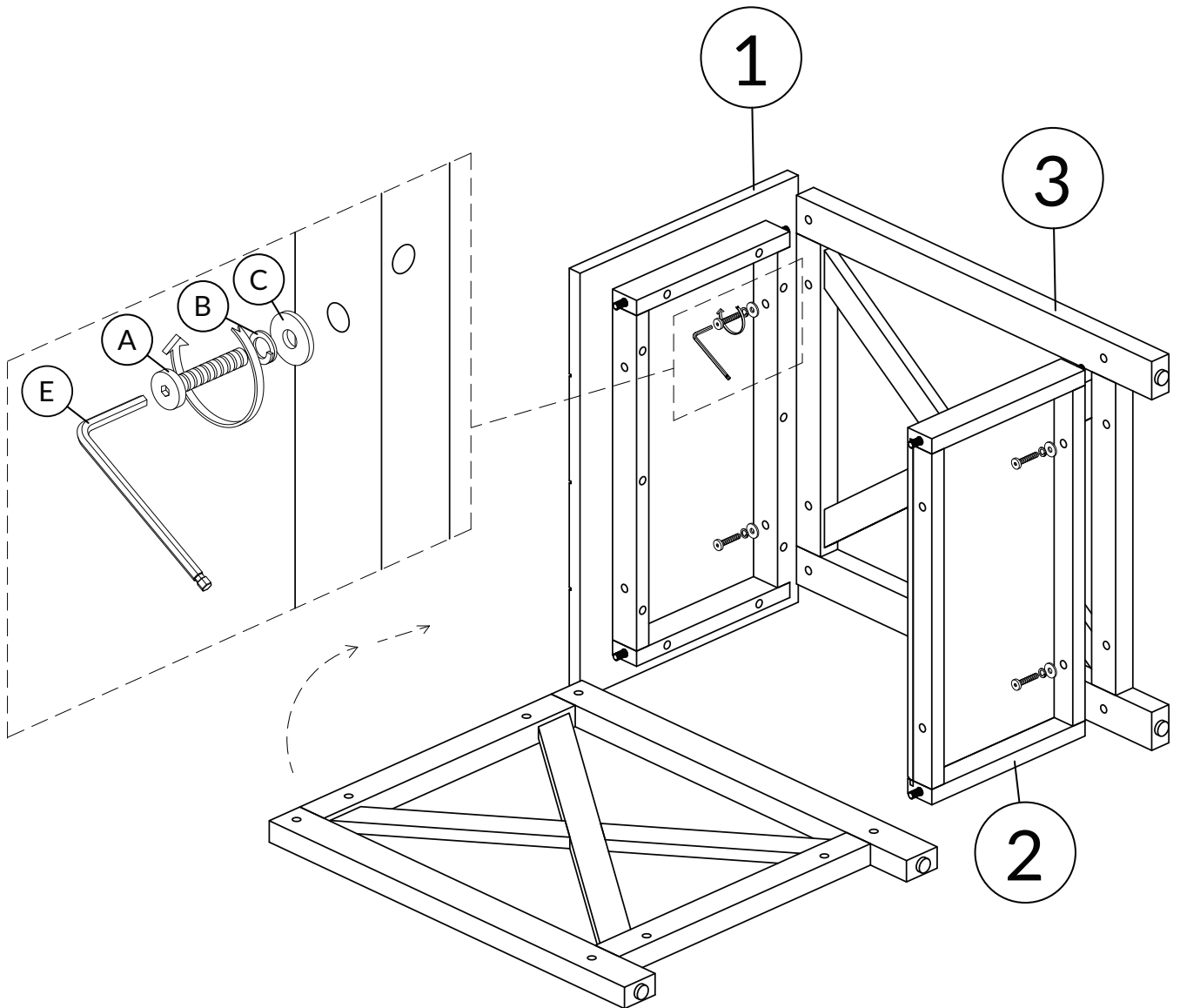


4X



Hardware	Count
D	8

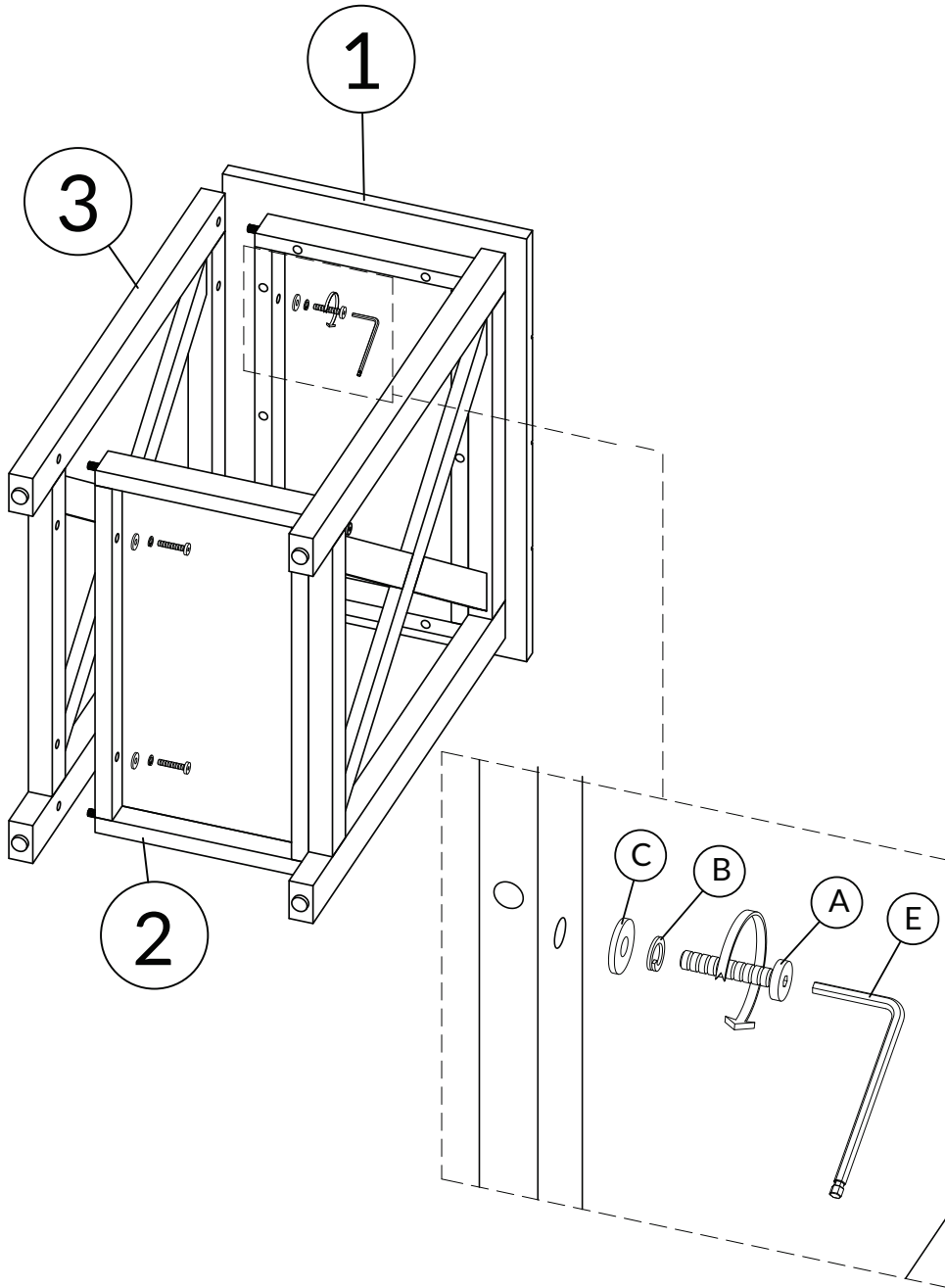
02



Hardware	Count
A	4
B	4
C	4
E	1

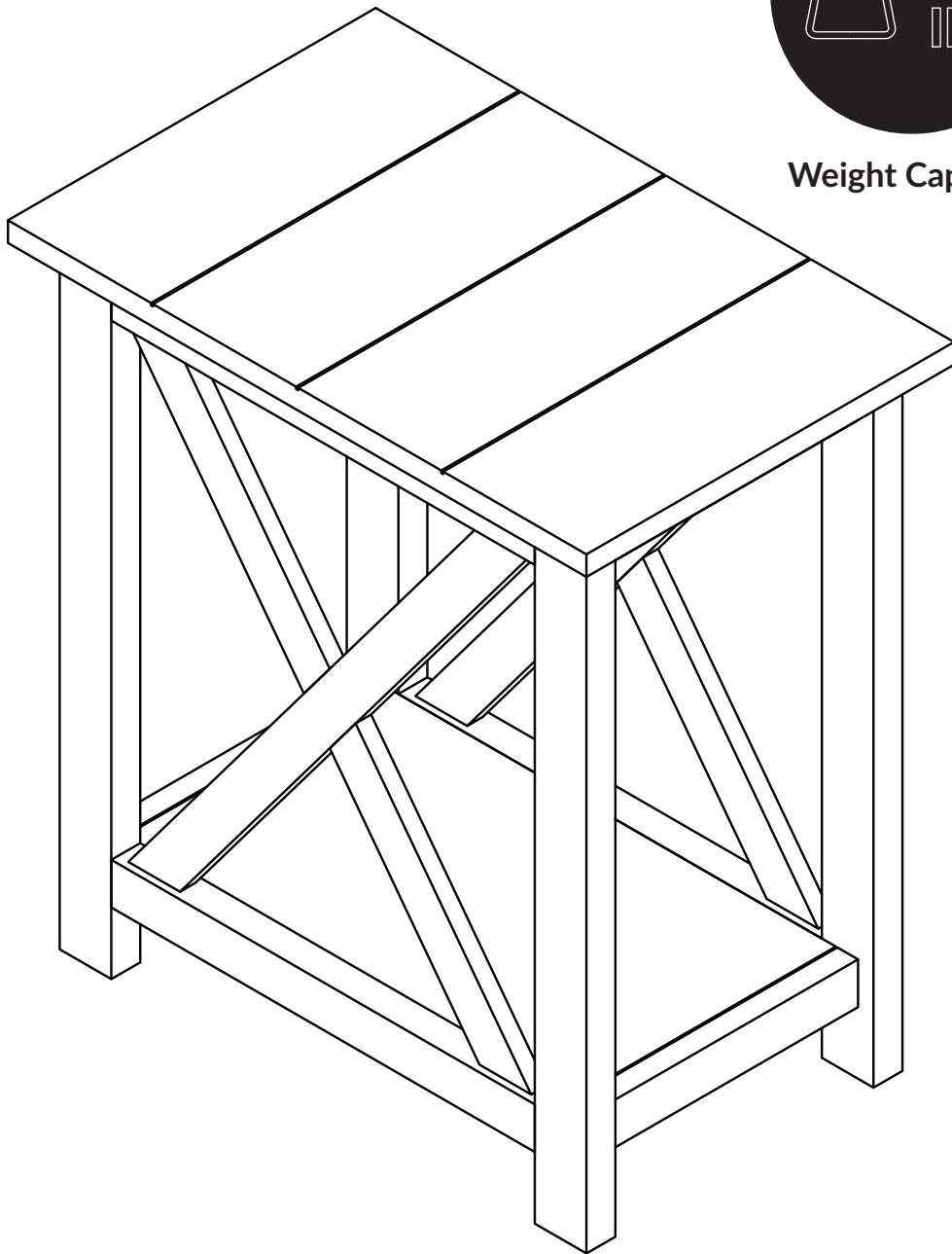
TIGHTEN BOLT COMPLETELY.

03



Hardware	Count
A	4
B	4
C	4
E	1

TIGHTEN BOLT COMPLETELY.



Weight Capacity

BE SURE TO CHECK ALL BOLTS ARE SECURELY TIGHTENED PRIOR TO USE.

847-949-6300 | 877-267-2261 | customerservice@boraamindustries.com