

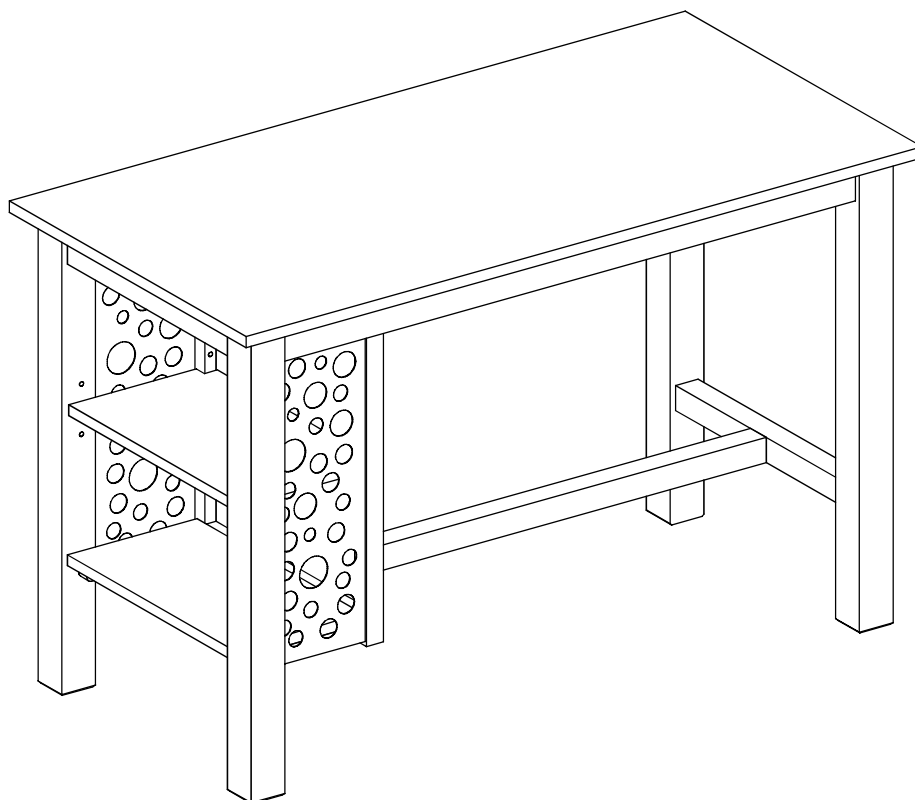


# Boraam Industries

ASSEMBLY INSTRUCTIONS

**SKU: 75330**

## **BRITTANY DINING TABLE**



Have questions about  
assembling your item?



Items or parts damaged?



Missing a part?

**We're here to help! (Monday-Friday from 9am-5pm CST)**



847-949-6300  
877-267-2261



customerservice@  
boraamindustries.com



[www.boraamindustries.com](http://www.boraamindustries.com)

Phillips  
Screwdriver  
(Not provided)



**A**



Spring Washer  
8 PCS

**B**



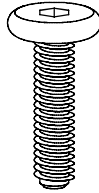
Flat Washer  
8 PCS

**C**



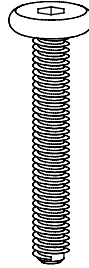
Hinge  
4 PCS

**D**



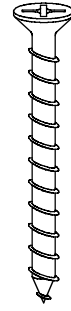
M6\*40  
6 PCS

**E**



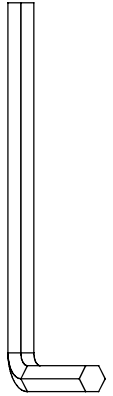
M8\*70  
8 PCS

**E**



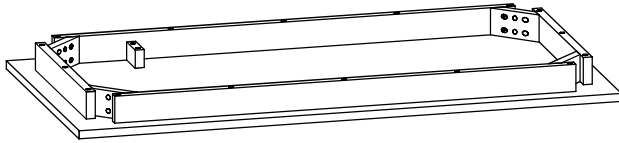
M4\*50  
4 PCS

**G**

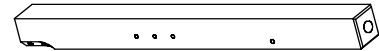


1 PC

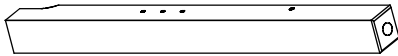
1



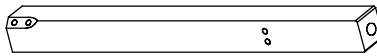
2



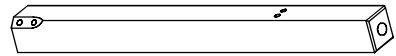
3



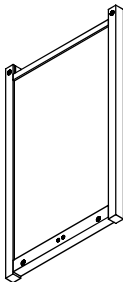
4



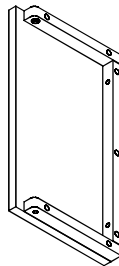
5



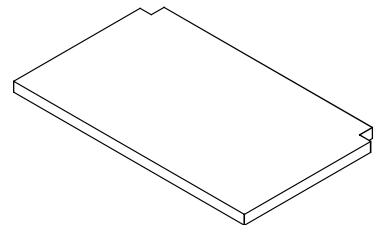
6



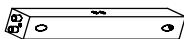
7



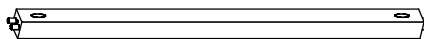
8



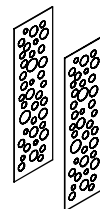
9



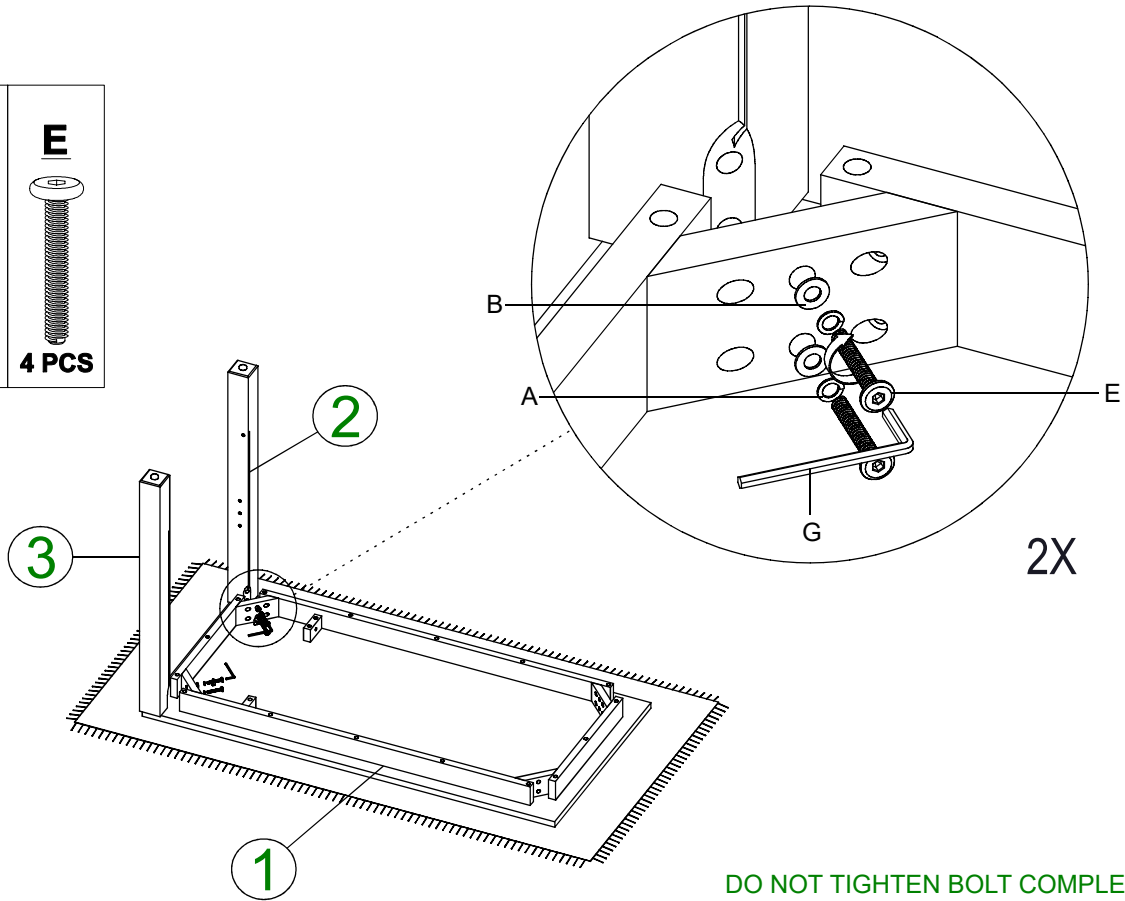
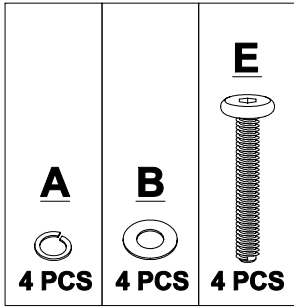
10



11

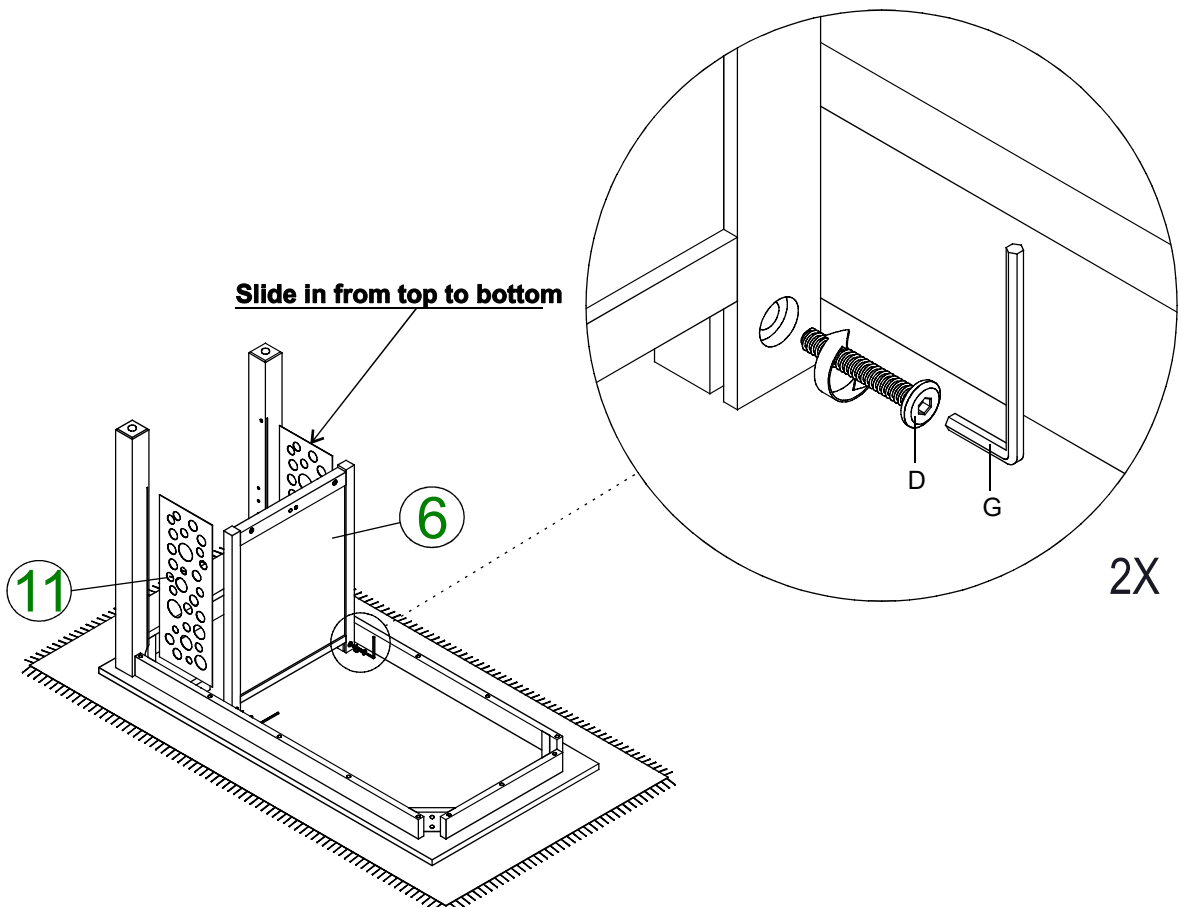
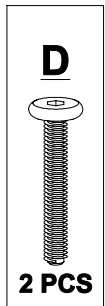


# 01



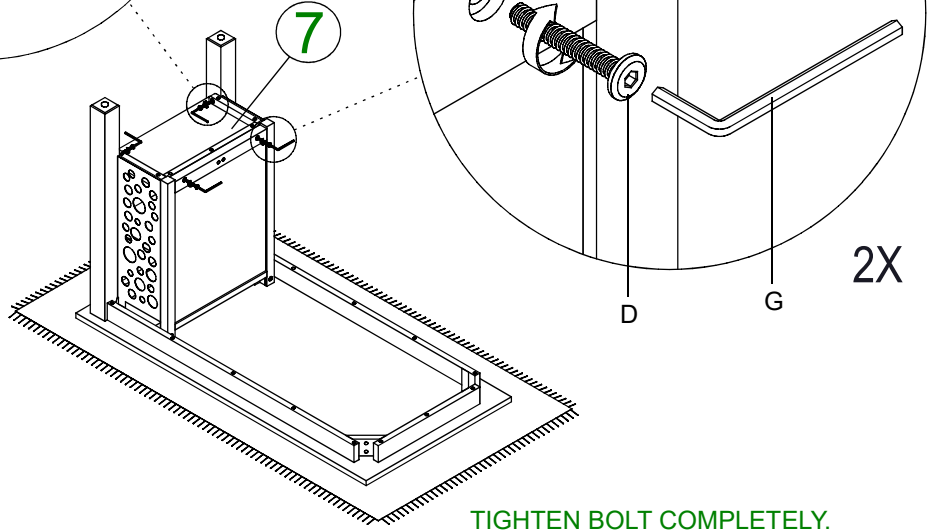
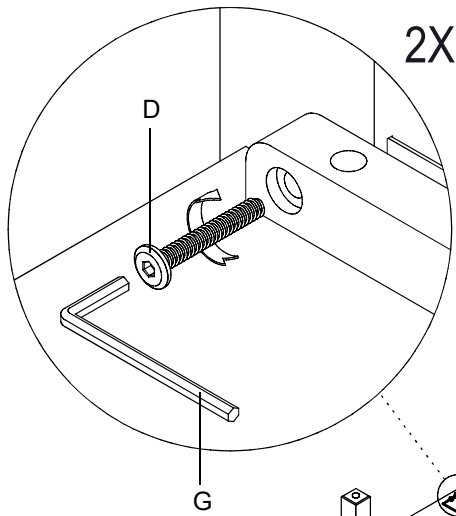
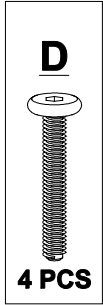
DO NOT TIGHTEN BOLT COMPLETELY.

# 02

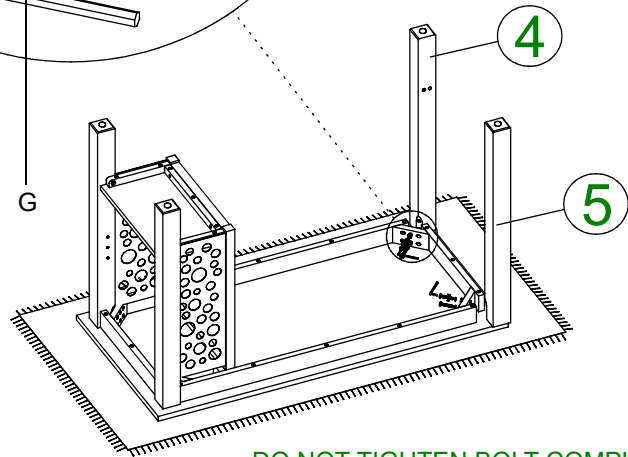
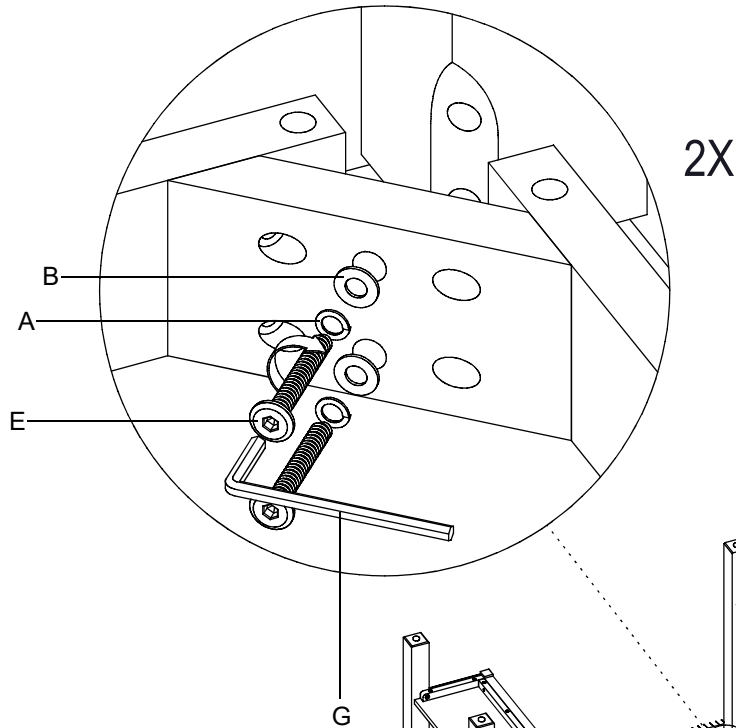
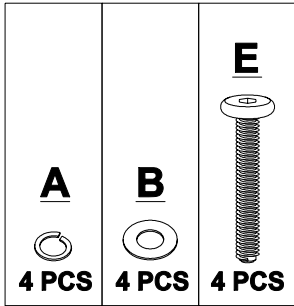


DO NOT TIGHTEN BOLT COMPLETELY.

# 03



# 04



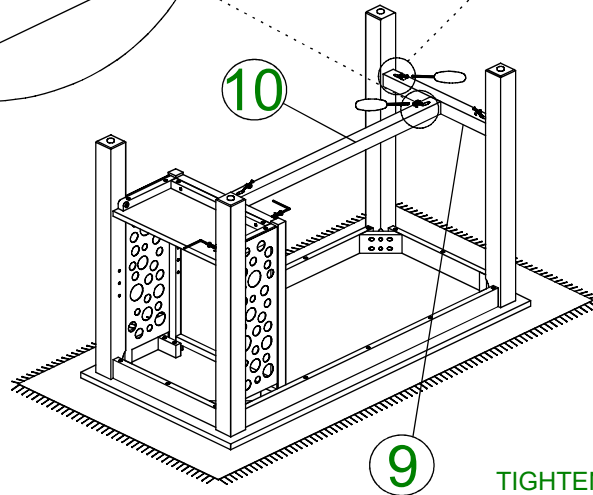
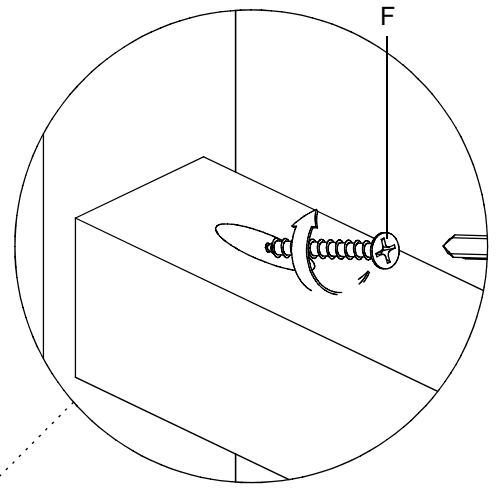
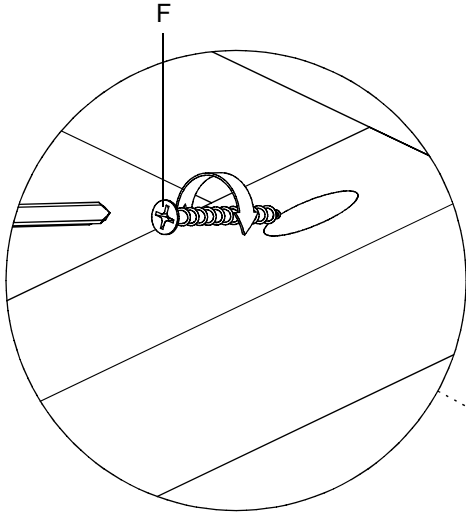
DO NOT TIGHTEN BOLT COMPLETELY.

# 05

**F**



**4 PCS**



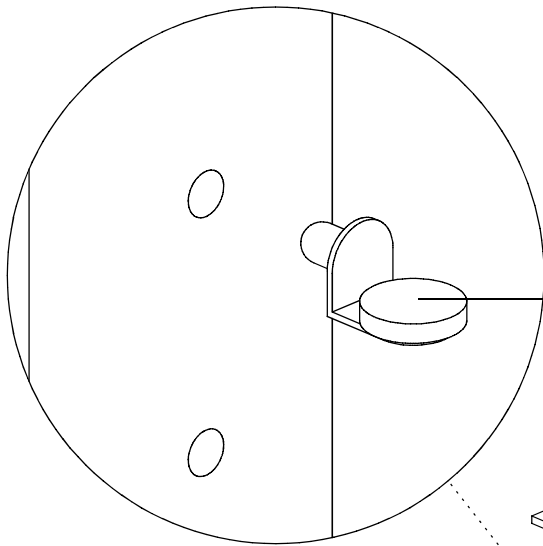
**TIGHTEN BOLT COMPLETELY.**

# 06

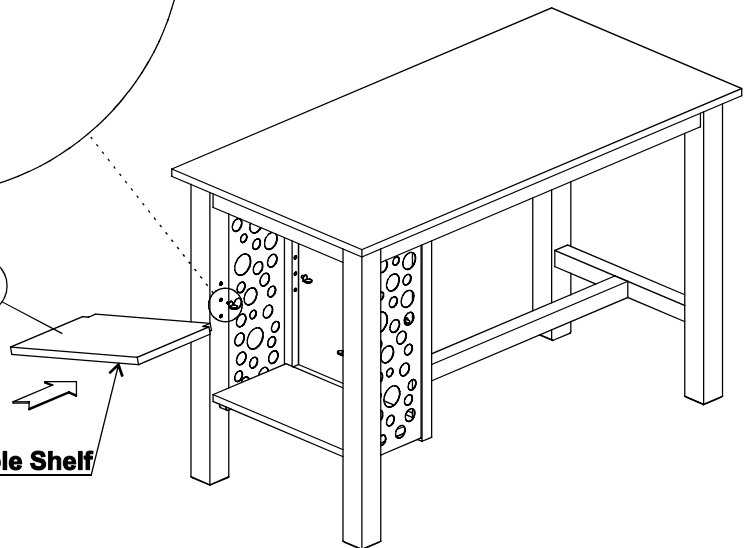
**C**



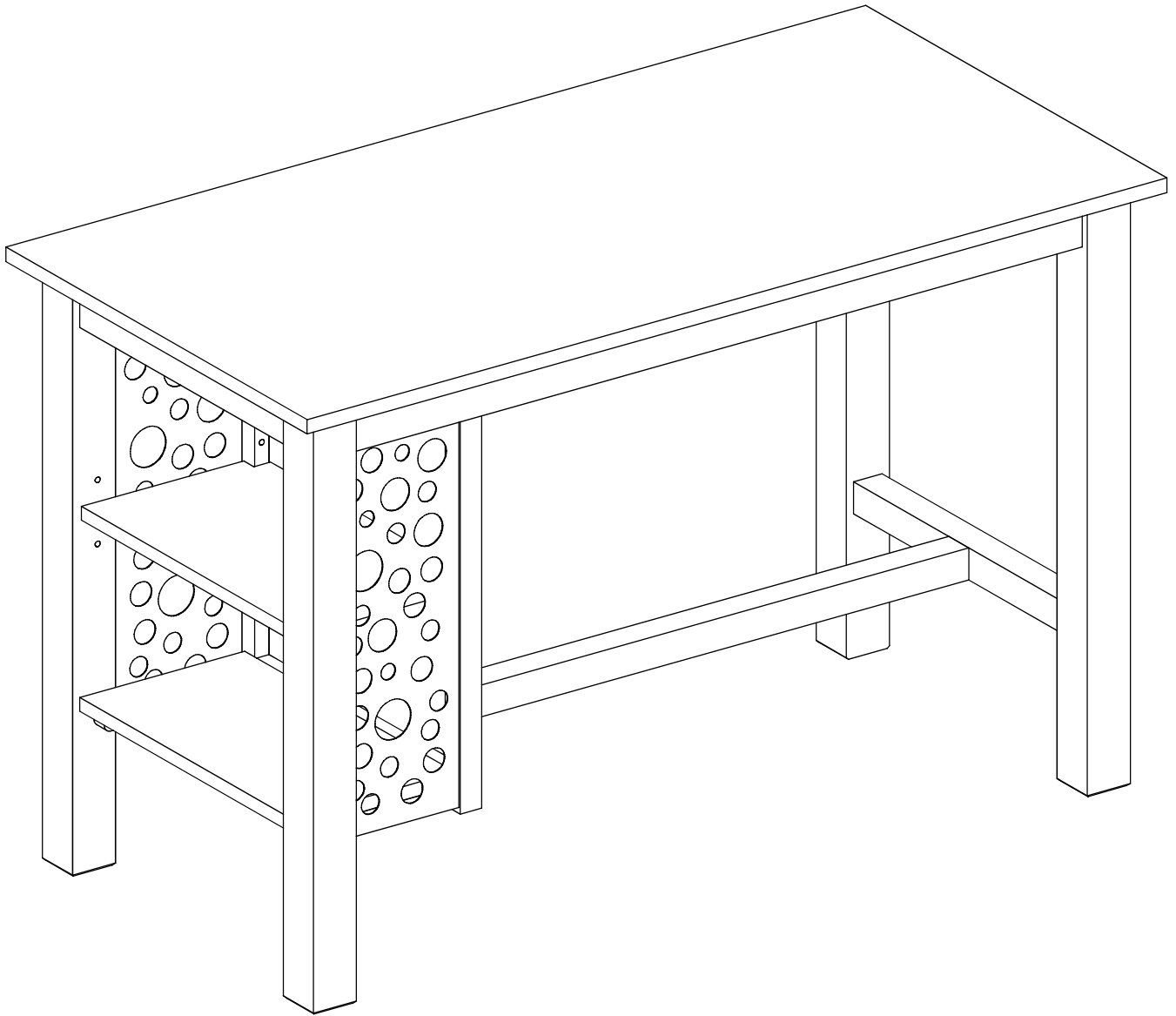
**4 PCS**



**8**



**Removable Shelf**



BE SURE TO CHECK ALL BOLTS ARE SECURELY  
TIGHTENED PRIOR USING THIS TABLE.