

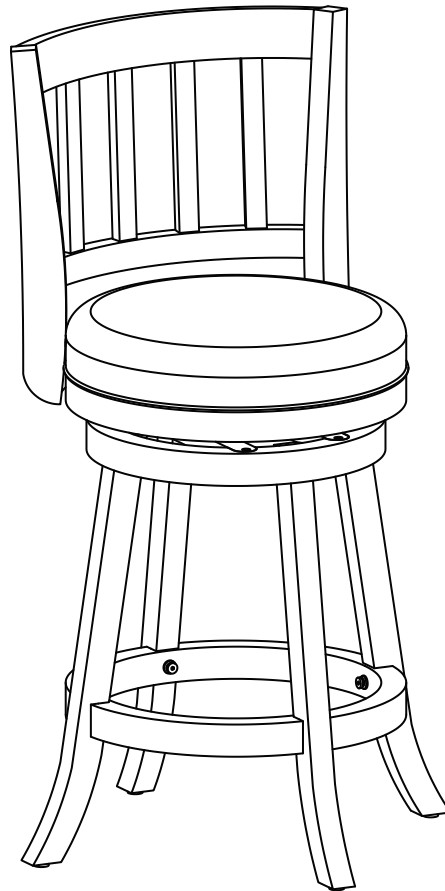


Boraam Industries

ASSEMBLY INSTRUCTIONS

SKU: 60524,60529,60924,60929,60824,60829

BLOOMINGTON SWIVEL STOOL



Weight Capacity

Version 1 / Updated as of 11-17-23



Have questions about assembling your item?



Items or parts damaged?



Missing a part?

We're here to help! (Monday-Friday from 9am-5pm CST)



847-949-6300
877-267-2261



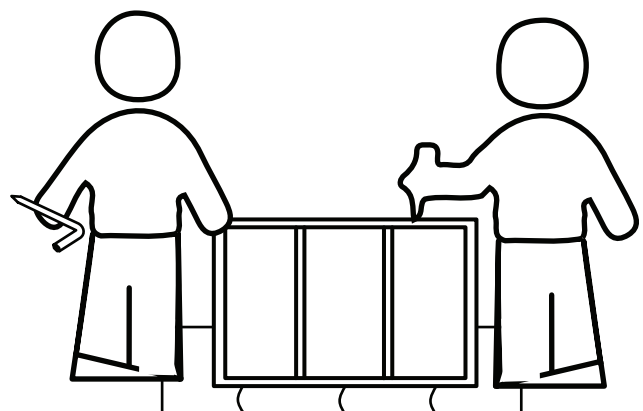
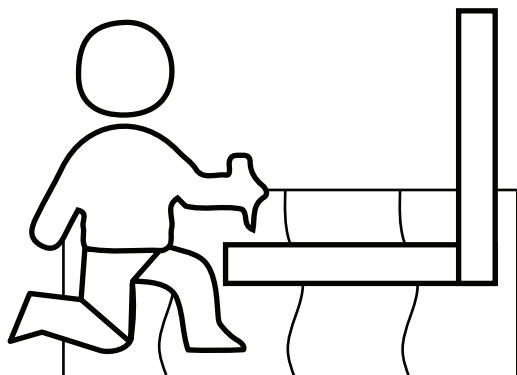
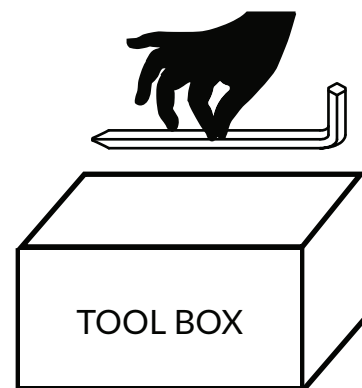
customerservice@
boraamindustries.com



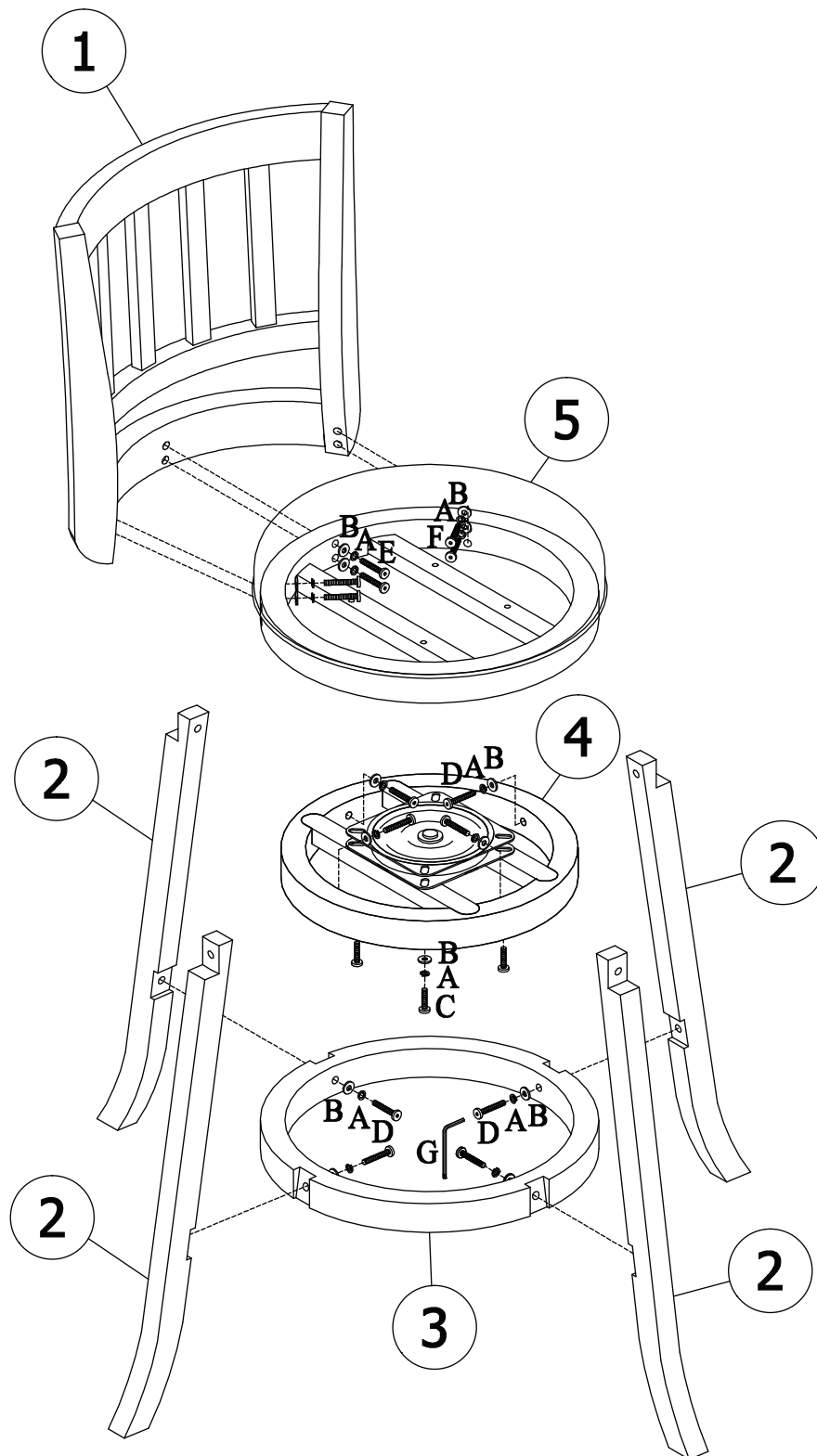
www.boraamindustries.com

Assembly And Care


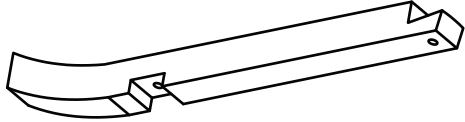
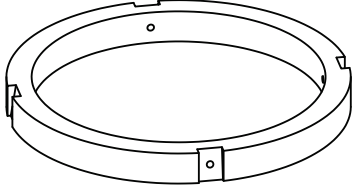
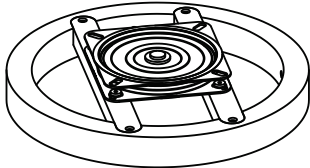
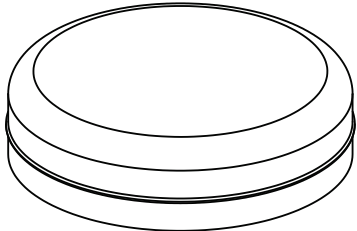
- All tools required for assembly are included unless noted.
- Prior to assembly, check for missing or damaged parts.
- Do not dispose of packaging materials until assembly is completed.
- Assemble item on a soft, clean surface to prevent damage to the item.



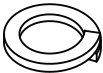
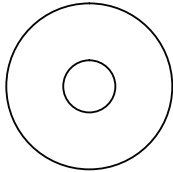
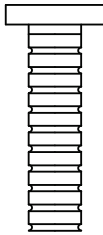
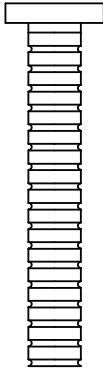
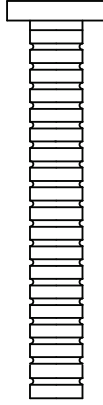
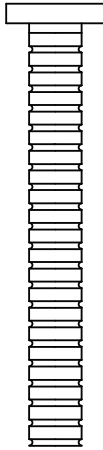

Assembly Overview



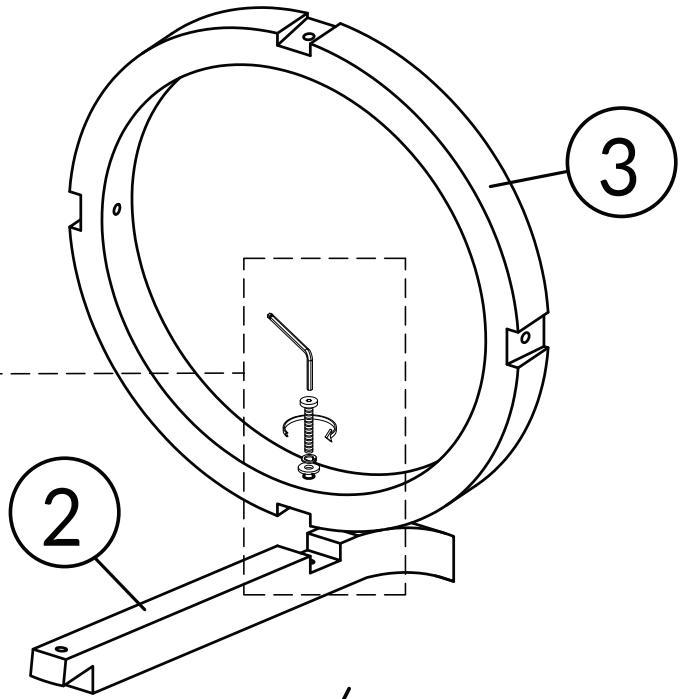
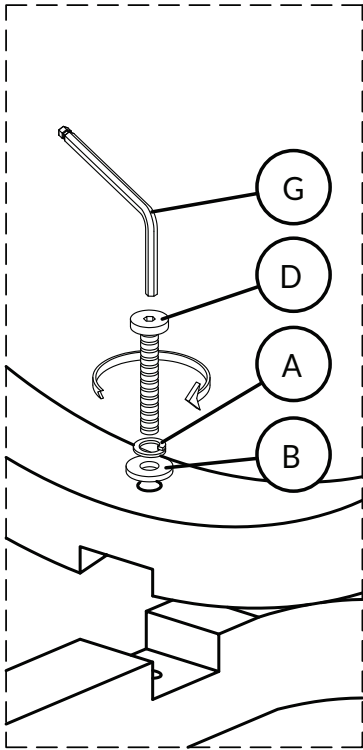
PARTS

① (x1)		② (x4)	
Backrest: 		Leg: 	
③ (x1)	④ (x1)		⑤ (x1)
Footrest: 	Apron With Swivel Plate: 		Seat Cushion: 

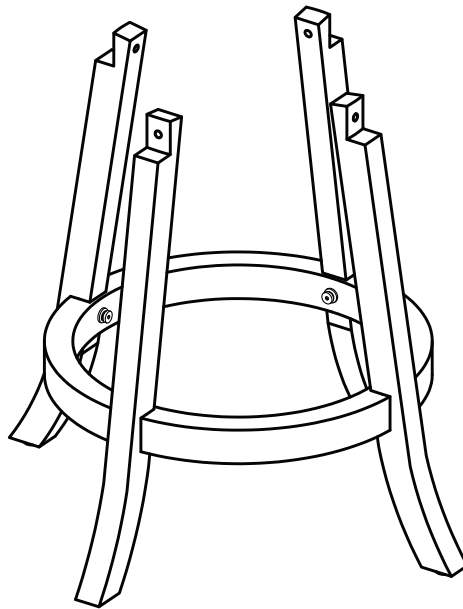
HARDWARE

Ⓐ (x18)	Ⓑ (x18)	Ⓒ (x4)	Ⓓ (x8)	Ⓔ (x2)	Ⓕ (x4)	Ⓖ (x1)
						
Spring Washer	Flat Washer	Bolt M6x25	Bolt M6x40	Bolt M6x45	Bolt M6x50	Allen Wrench

01



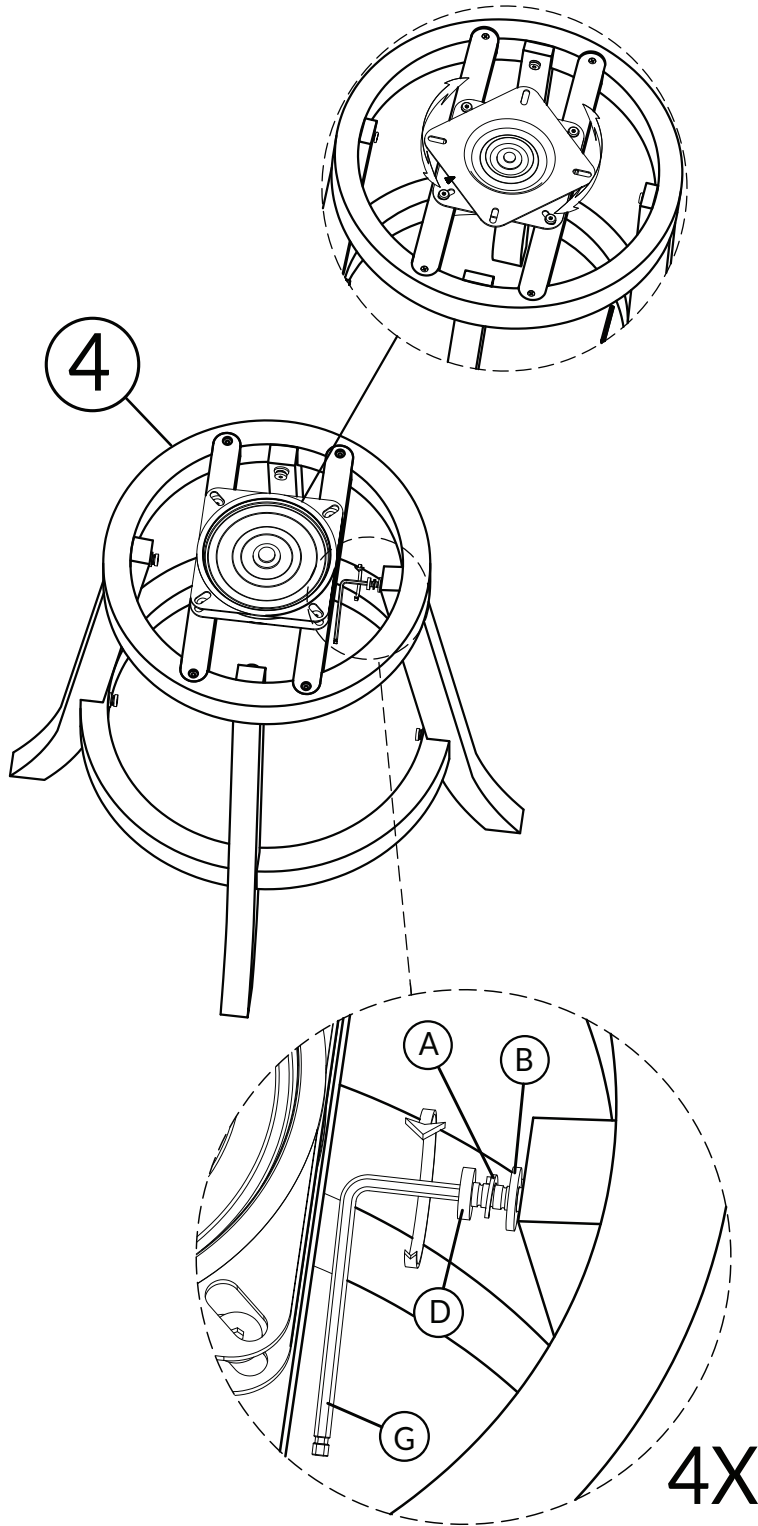
4X



Hardware	Count
A	4
B	4
D	4
G	1

DO NOT TIGHTEN BOLT COMPLETELY.

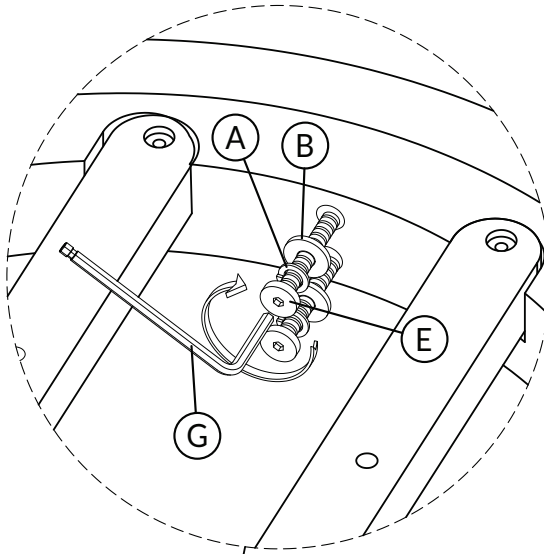
02



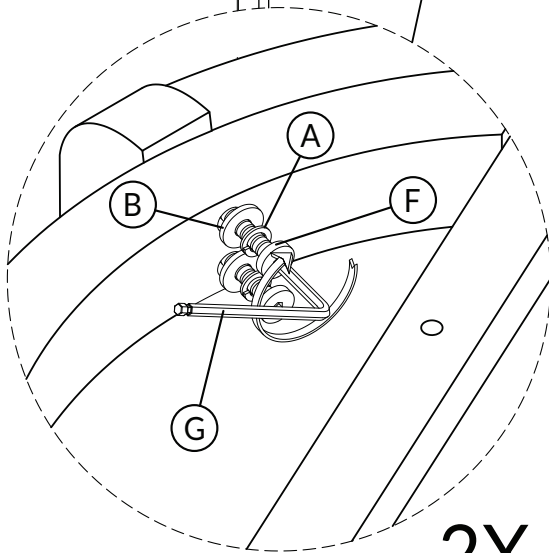
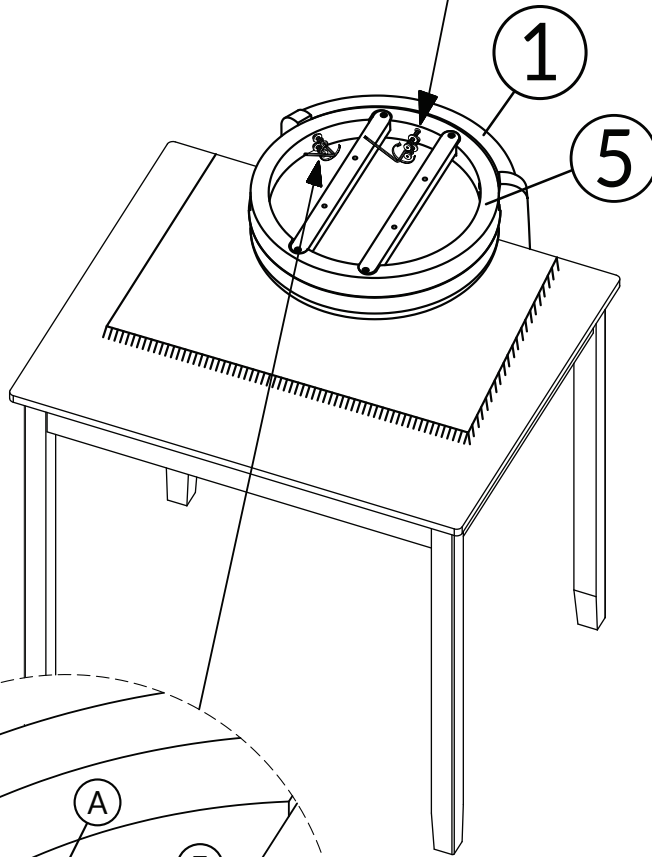
Hardware	Count
A	4
B	4
D	4
G	1

TIGHTEN BOLT COMPLETELY.

03



1X

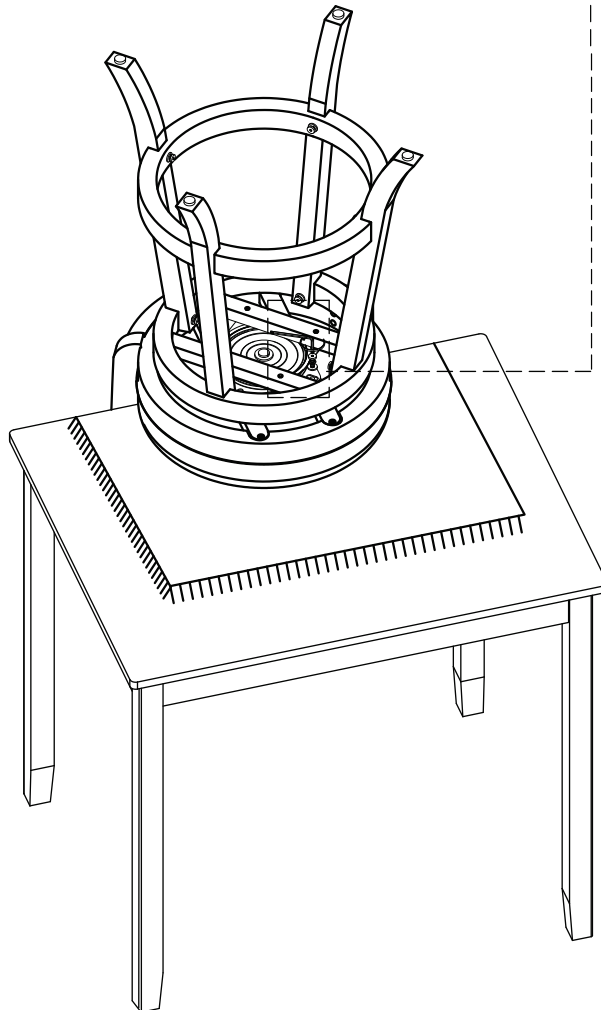
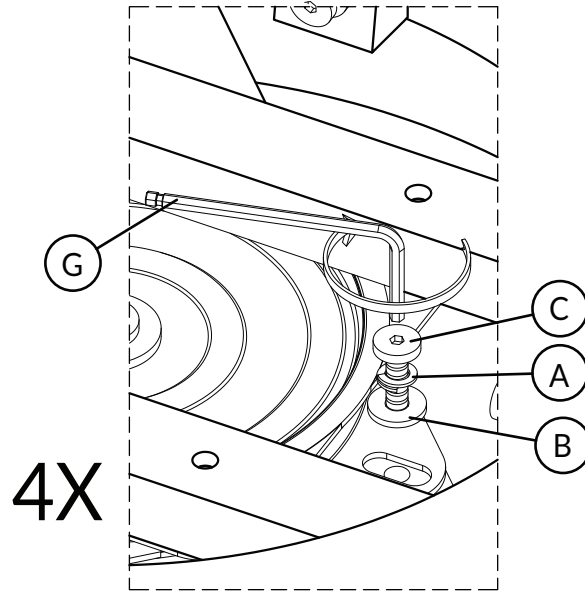


2X

Hardware	Count
A	6
B	6
E	2
F	4
G	1

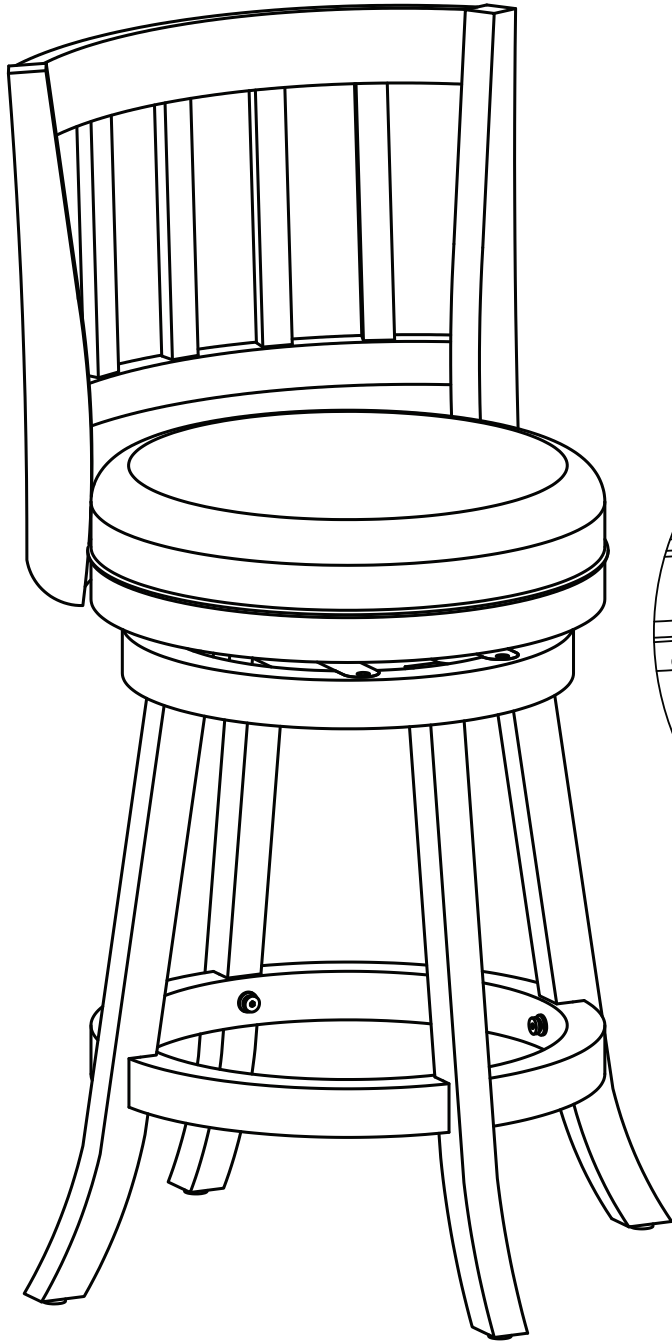
TIGHTEN BOLT COMPLETELY.

04

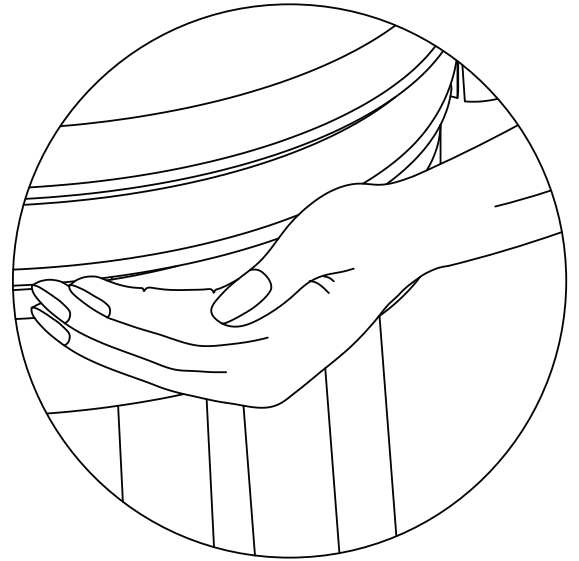


Hardware	Count
A	4
B	4
C	4
G	1

TIGHTEN BOLT COMPLETELY.



Weight Capacity



BE SURE TO CHECK ALL BOLTS ARE SECURELY TIGHTENED PRIOR TO USE.