

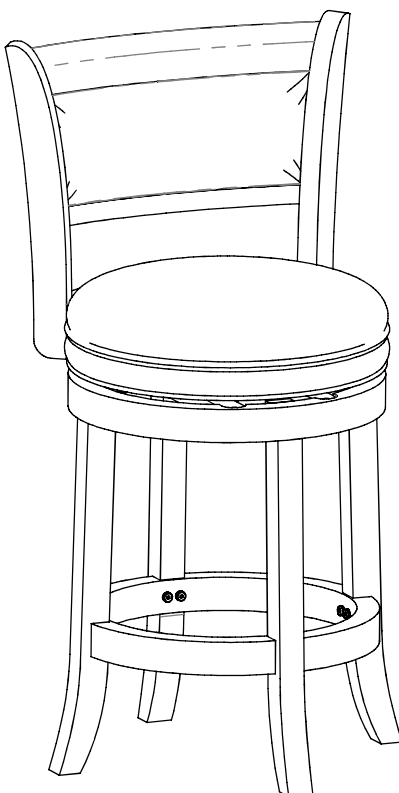


Boraam Industries

ASSEMBLY INSTRUCTIONS

SKU: 08824,48824,48829,45824,45829,49824,49829

AUGUSTA SWIVEL STOOL



Have questions about
assembling your item?



Items or parts damaged?



Missing a part?

We're here to help! (Monday-Friday from 9am-5pm CST)



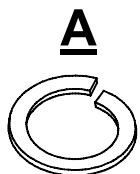
847-949-6300
877-267-2261



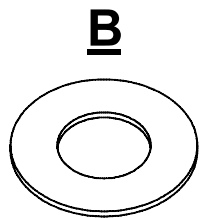
customerservice@
boraamindustries.com



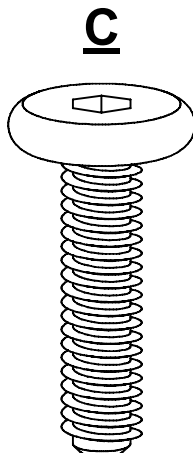
www.boraamindustries.com



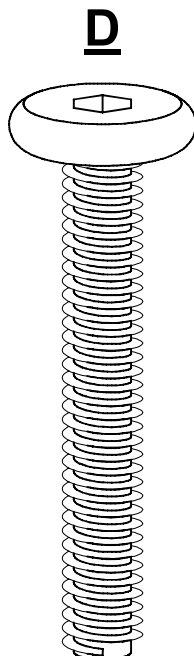
A
M6*10
22 PCS



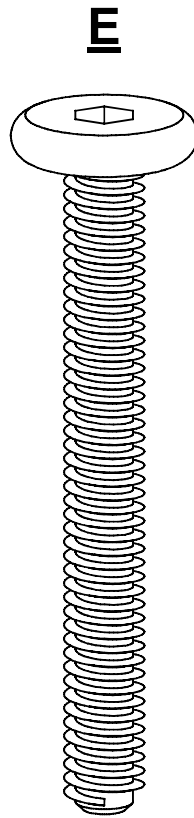
B
M6*16
26 PCS



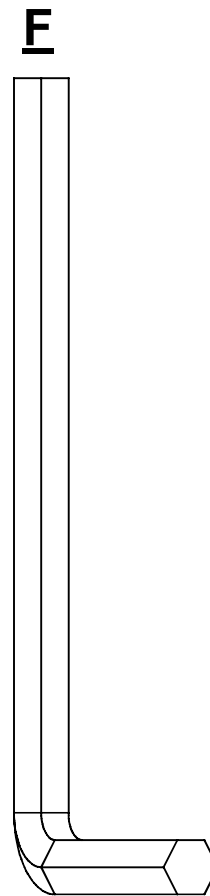
C
M6*25
4 PCS



D
M6*40
16 PCS

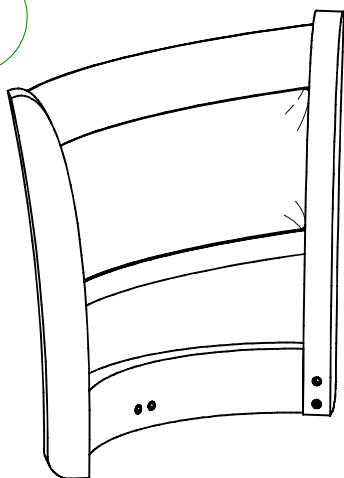


E
M6*50
6 PCS

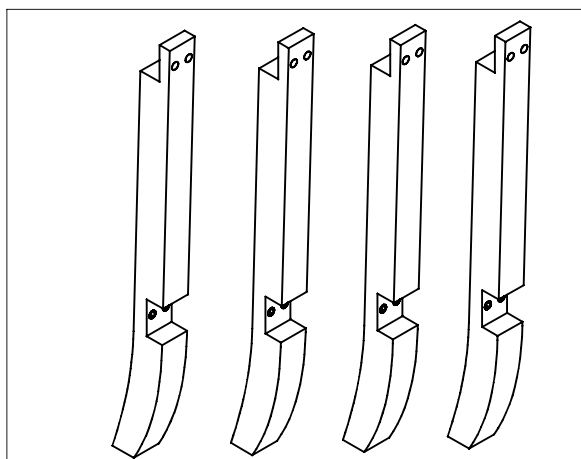


E
M4*110
1 PC

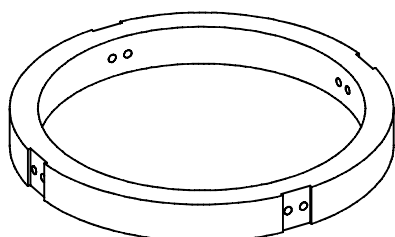
1



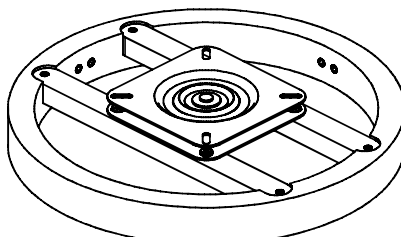
2



3



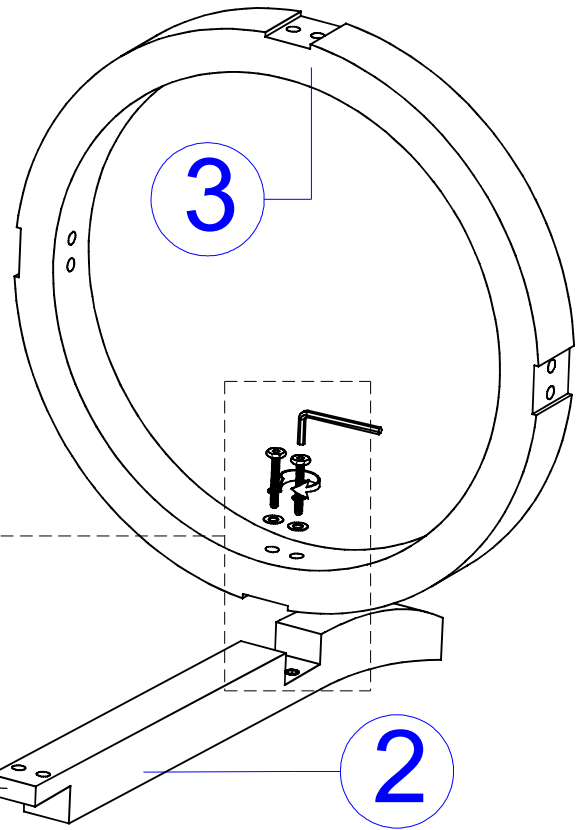
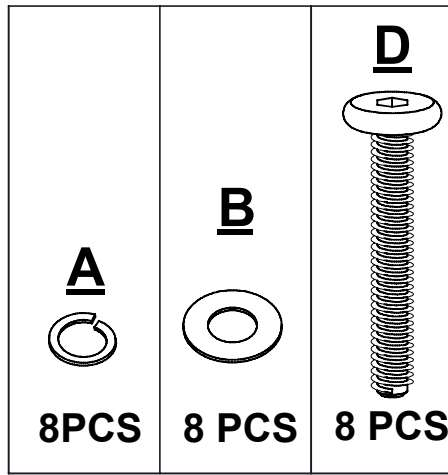
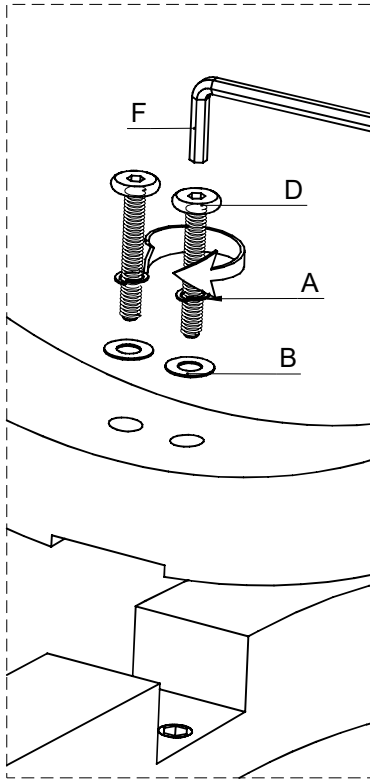
4



5

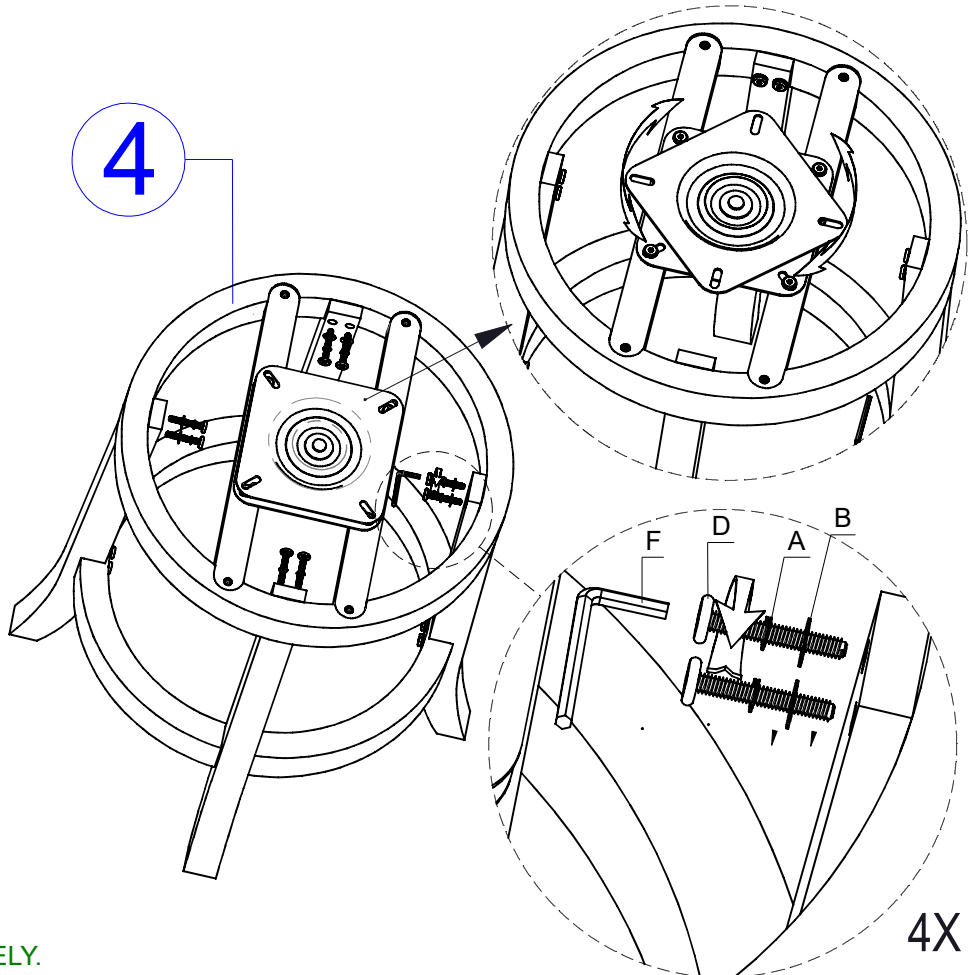
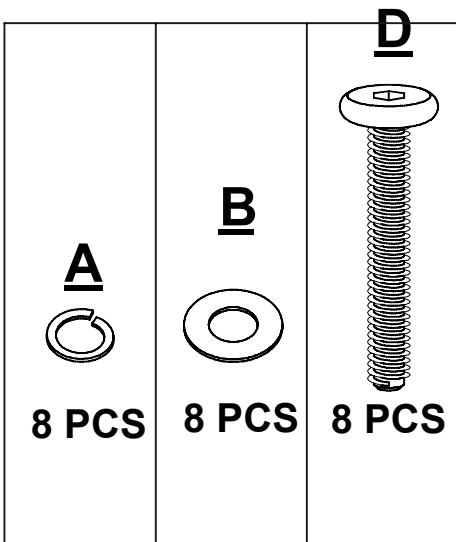


01



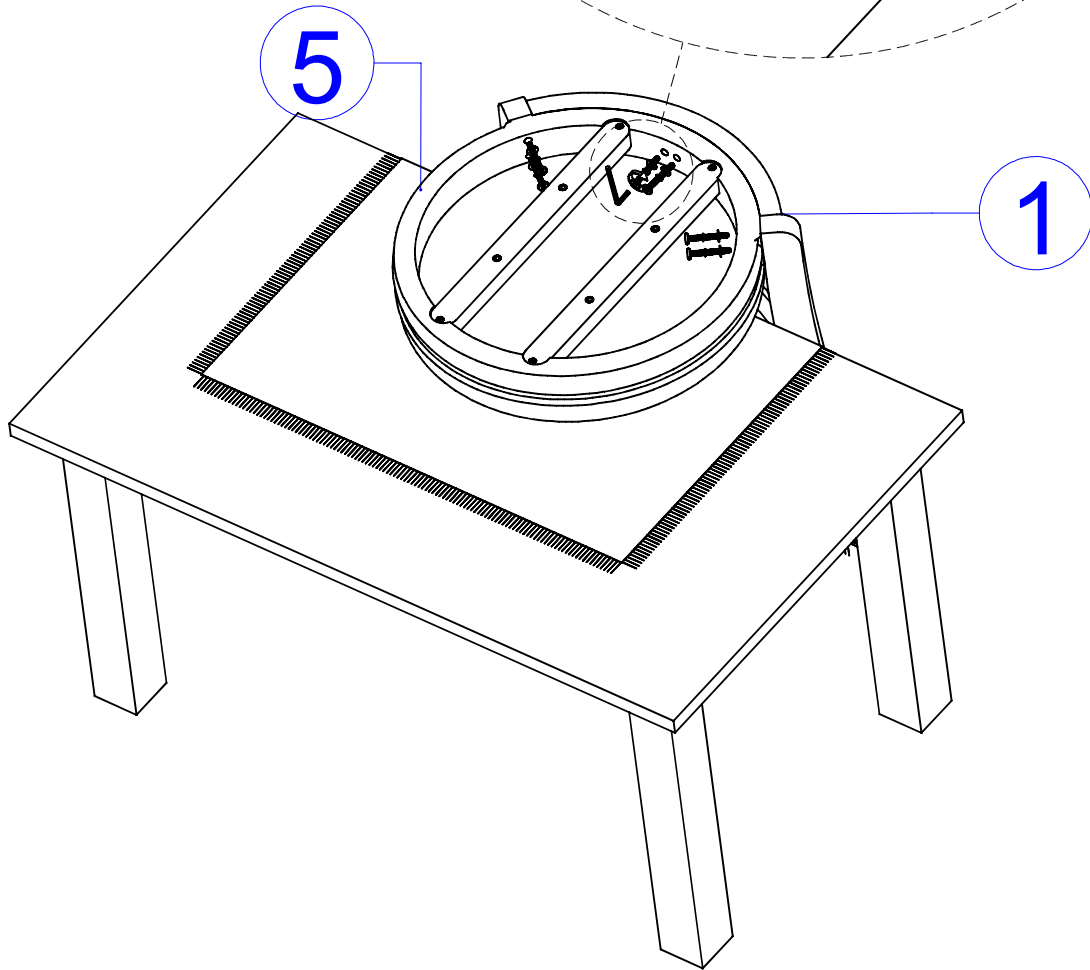
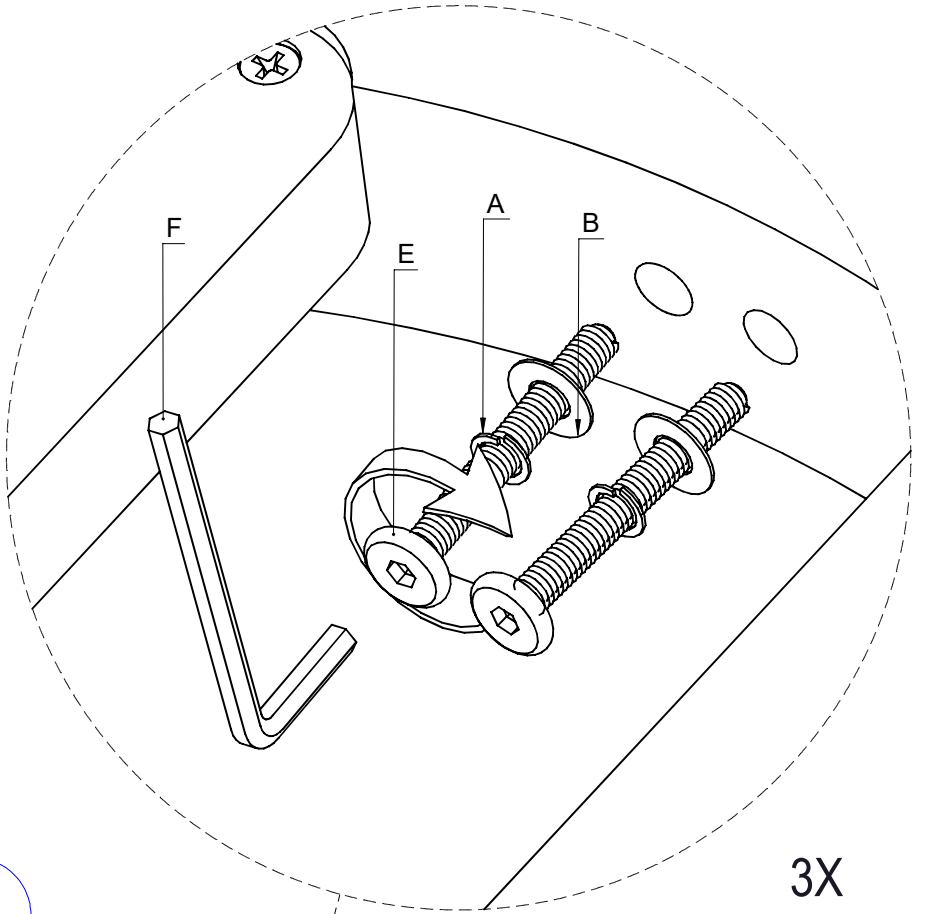
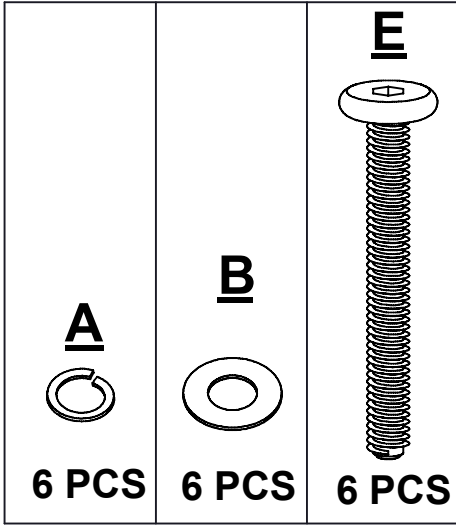
DO NOT TIGHTEN BOLT COMPLETELY.

02



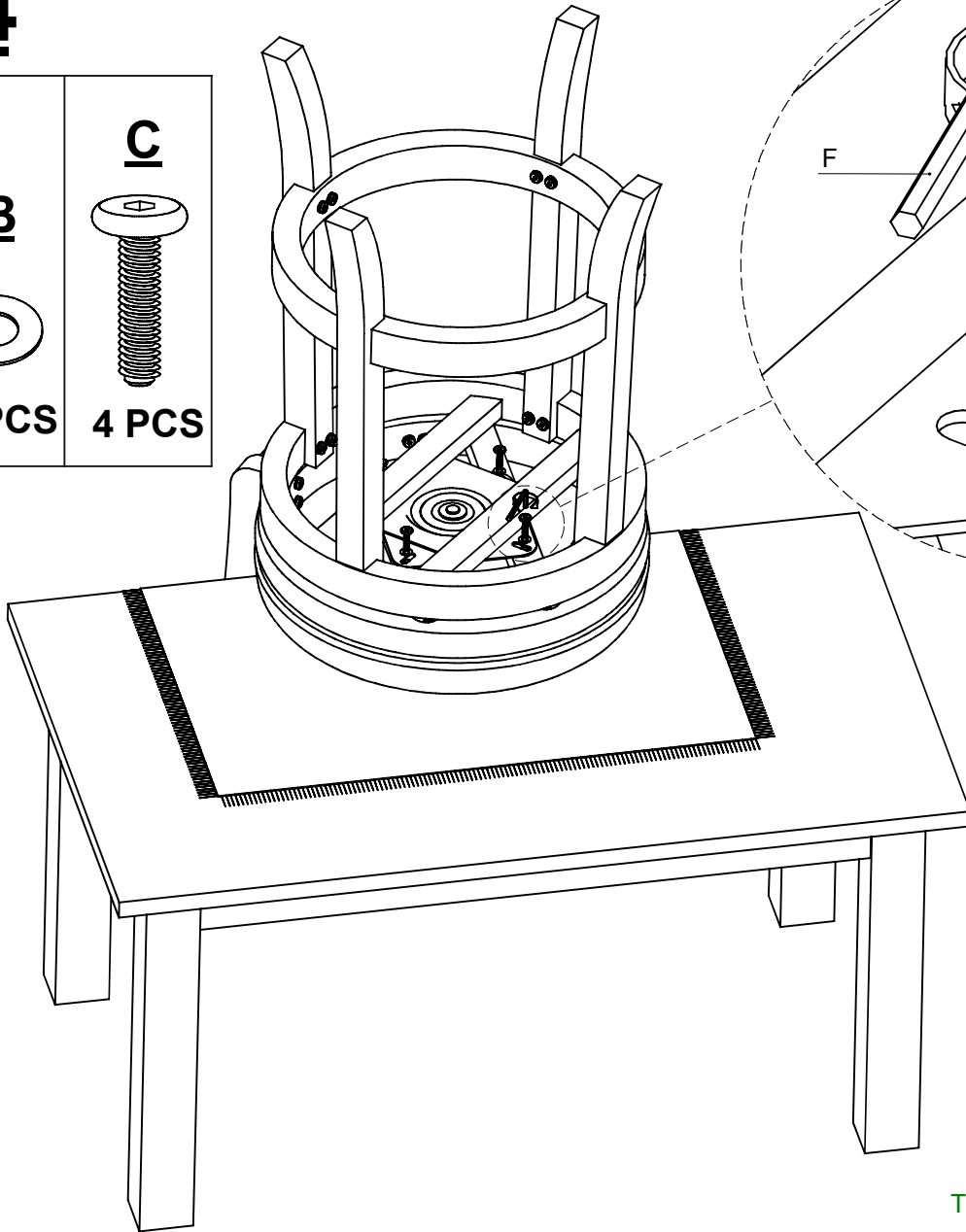
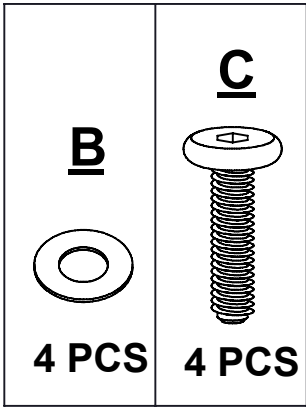
DO NOT TIGHTEN BOLT COMPLETELY.

03

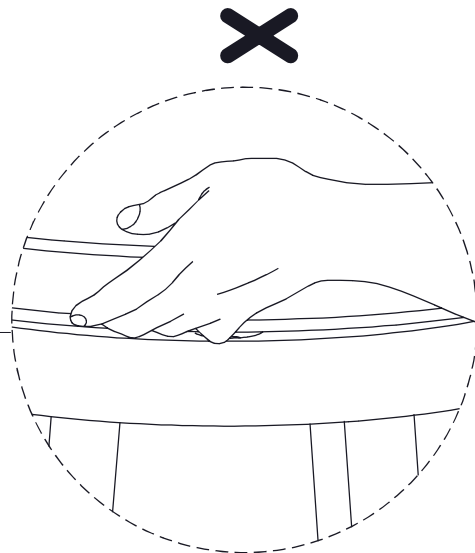
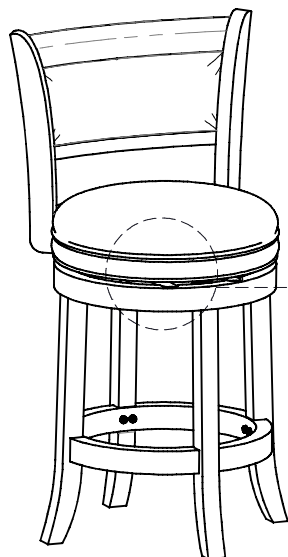


3X

04



TIGHTEN BOLT COMPLETELY.



BE SURE TO CHECK ALL BOLTS ARE SECURELY TIGHTENED PRIOR USING THIS TOOL.