

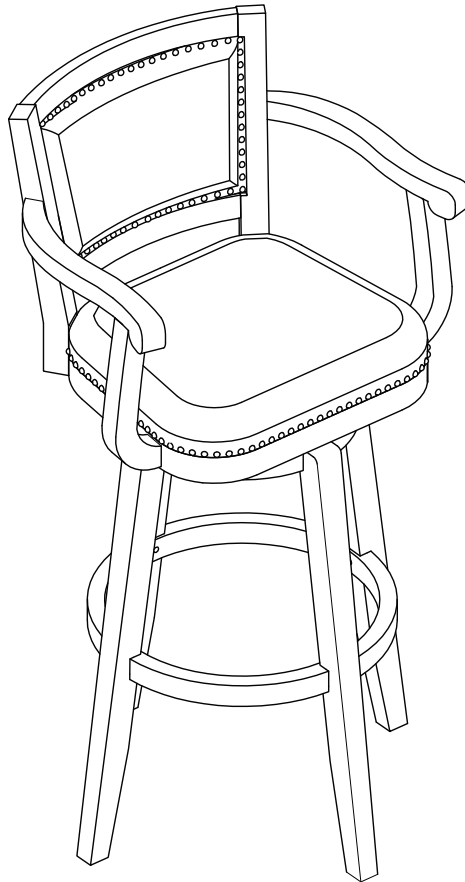


# Boraam Industries

ASSEMBLY INSTRUCTIONS

SKU: 51834,51934,52934

## BROADMOOR SWIVEL EXTRA TALL BARSTOOL



Weight Capacity



Locate the **HARDWARE PACK** which is attached to the shipping carton with red tape.

Version 2 / Updated as of 1.2.24



Have questions about assembling your item?



Items or parts damaged?



Missing a part?

**We're here to help! (Monday-Friday from 9am-5pm CST)**



847-949-6300  
877-267-2261



customerservice@  
boraamindustries.com



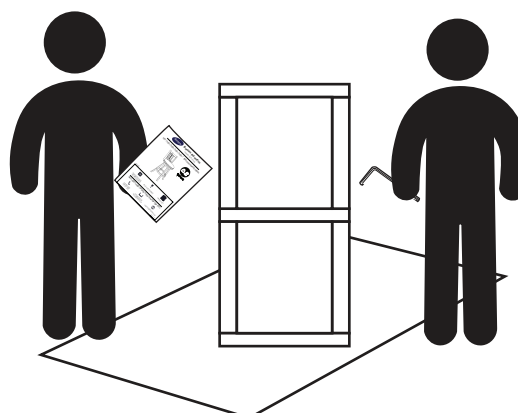
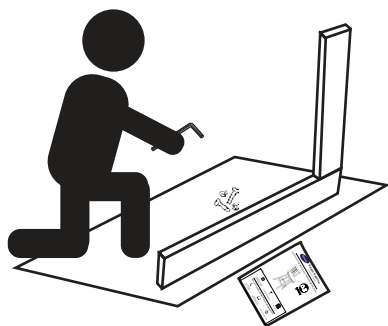
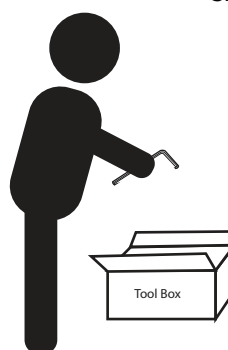
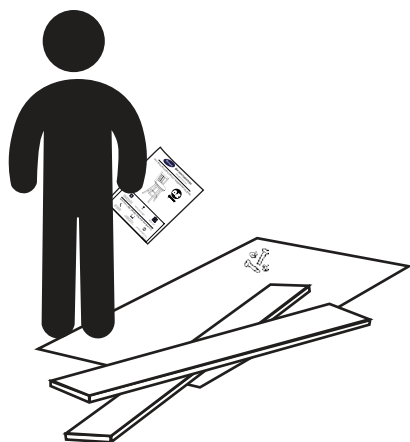
www.boraamindustries.com

# Assembly And Care

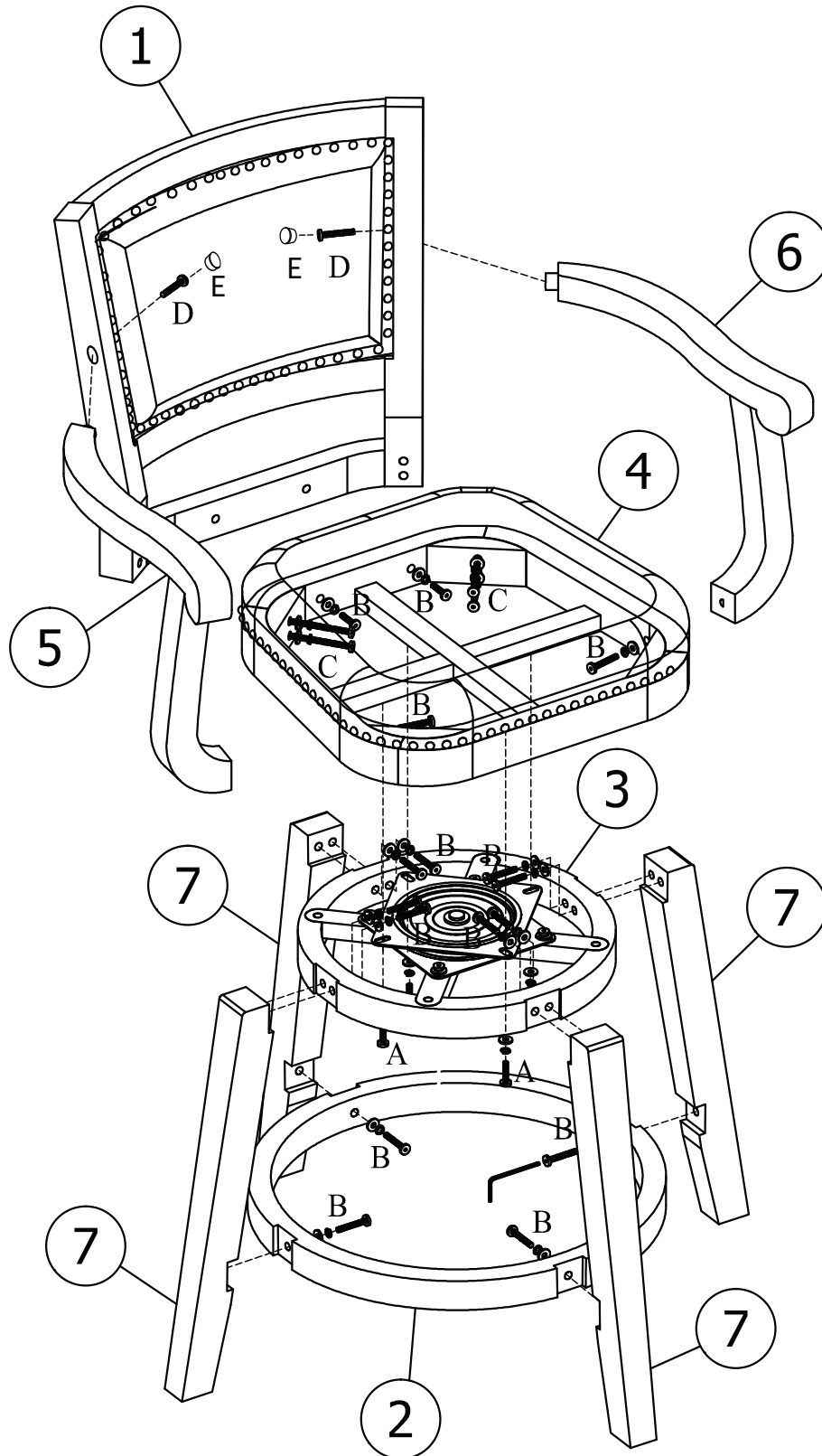
- All tools required for assembly are included unless noted.
- Prior to assembly, check for missing or damaged parts.
- Do not dispose of packing materials until assembly is completed.
- Assemble item on a soft, clean surface to prevent damage to the item.



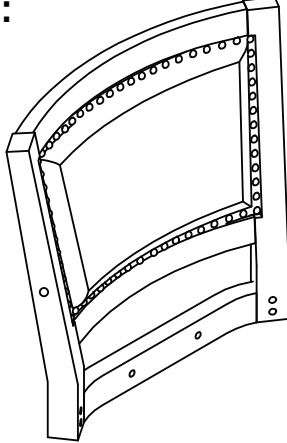
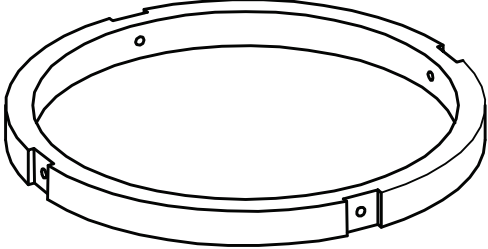
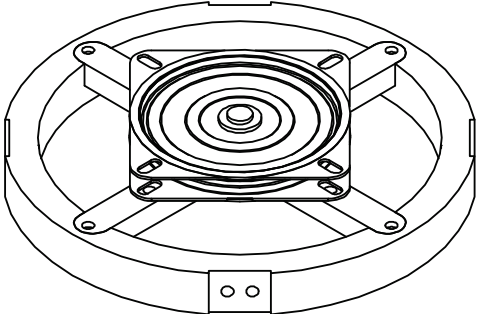
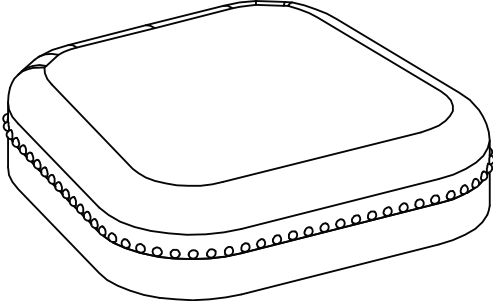
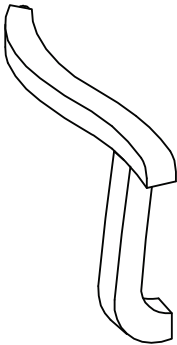
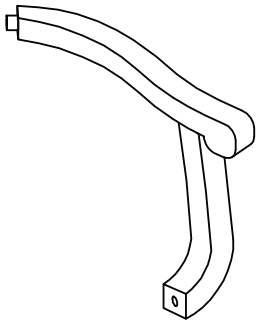

Locate the **HARDWARE PACK** which is attached to the shipping carton with red tape.



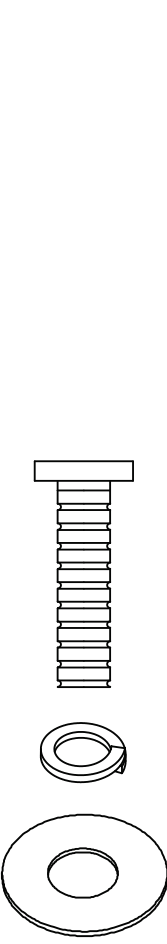
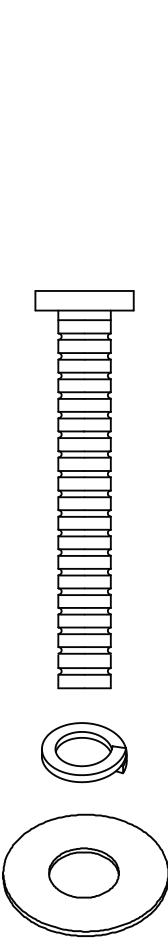
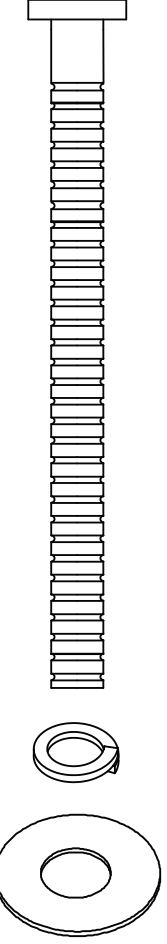
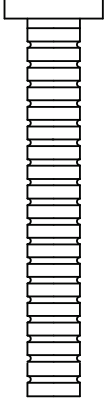


# Assembly Overview



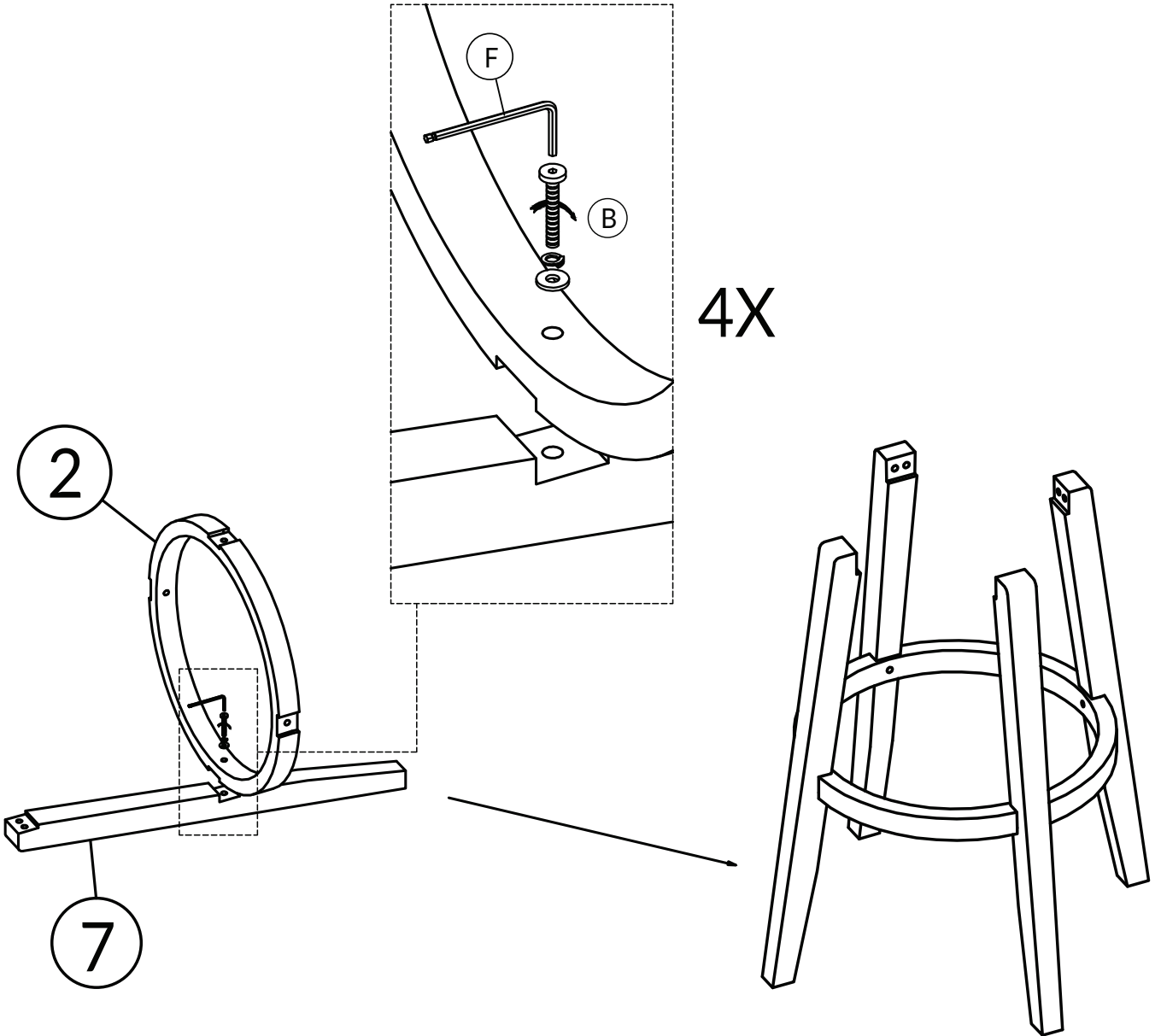
# PARTS

<p>① (x1)</p>	<p>② (x1)</p>	
<p><b>Backrest:</b></p> 	<p><b>Footrest:</b></p> 	
<p>③ (x1)</p>	<p>④ (x1)</p>	
<p><b>Apron With Swivel Plate:</b></p> 	<p><b>Seat Cushion:</b></p> 	
<p>⑤ (x1)</p>	<p>⑥ (x1)</p>	<p>⑦ (x4)</p>
<p><b>Left Arm Chair:</b></p> 	<p><b>Right Arm Chair:</b></p> 	<p><b>Leg:</b></p> 

# HARDWARE

Ⓐ	Ⓑ	Ⓒ	Ⓓ (x2)	Ⓔ (x2)	Ⓕ (x1)
					
<p>M6*25: 4pcs M6*16: 4pcs M6*13: 4pcs</p>	<p>M6*45: 16pcs M6*16: 16pcs M6*13: 16pcs</p>	<p>M6*80: 4pcs M6*16: 4pcs M6*13: 4pcs</p>	<p>Bolt M6*45</p>	<p>Wood Button</p>	<p>Allen Wrench</p>

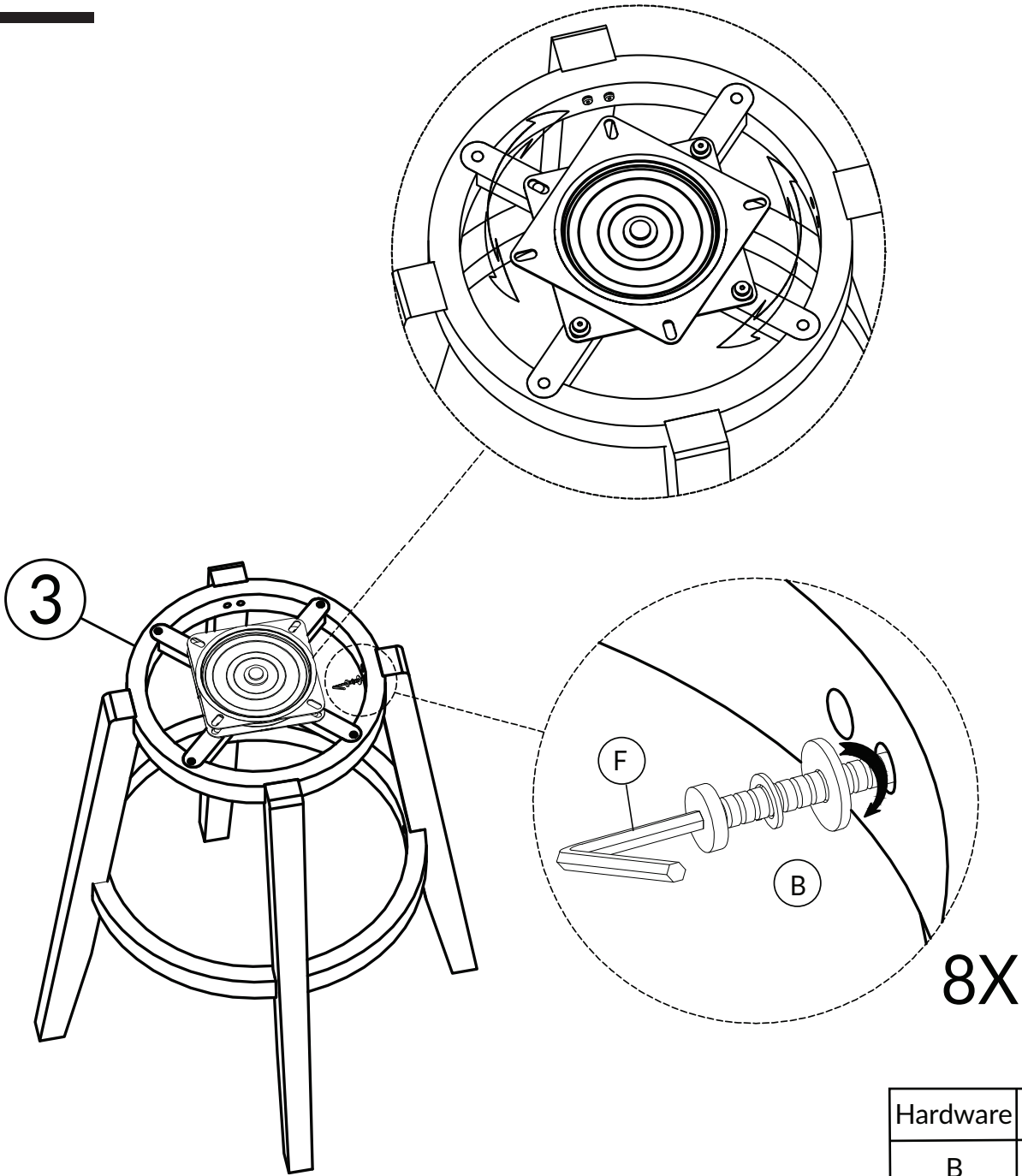
# 01



Hardware	Count
B	4
F	1

DO NOT TIGHTEN BOLT COMPLETELY.

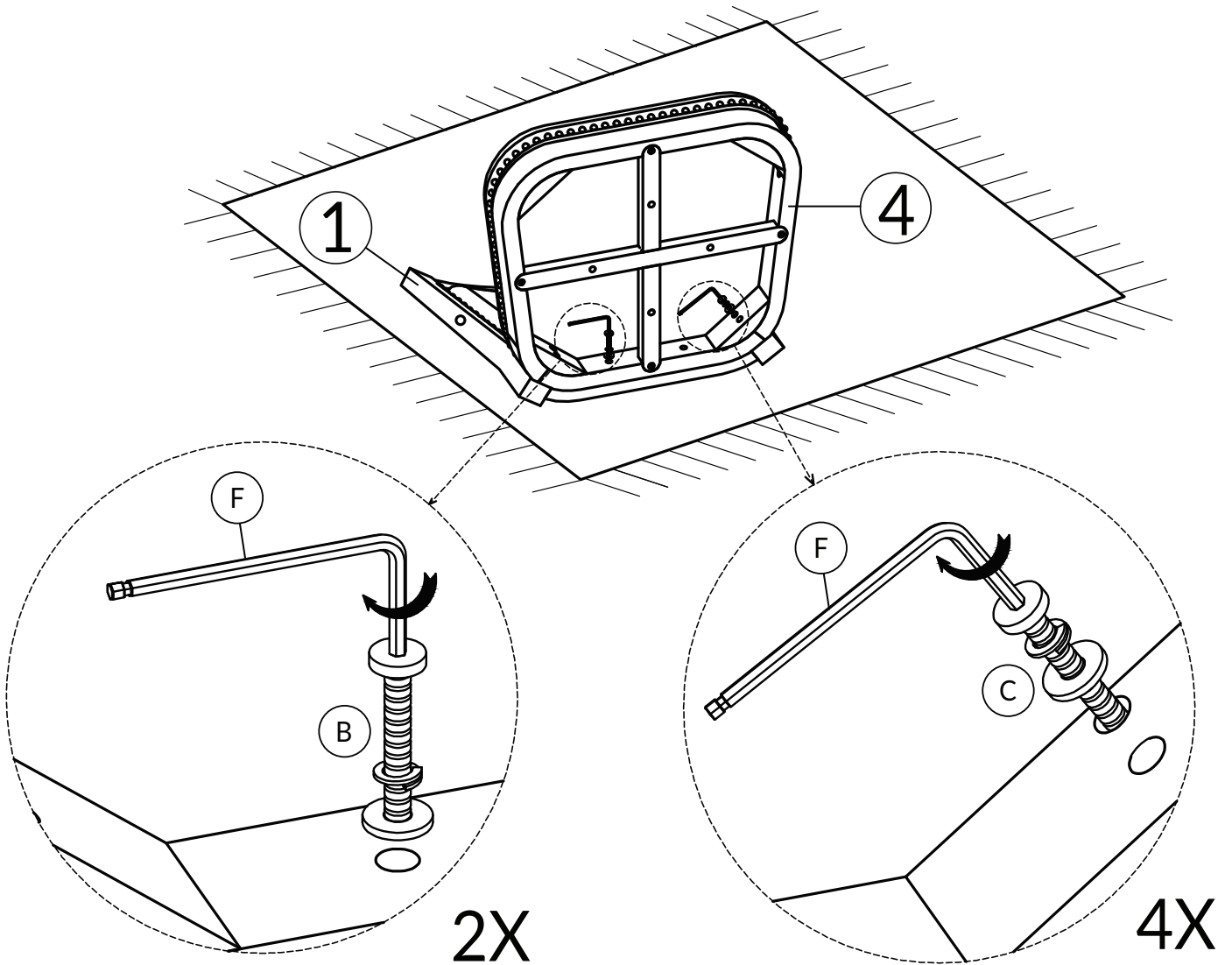
# 02



Hardware	Count
B	8
F	1

TIGHTEN BOLT COMPLETELY.

# 03

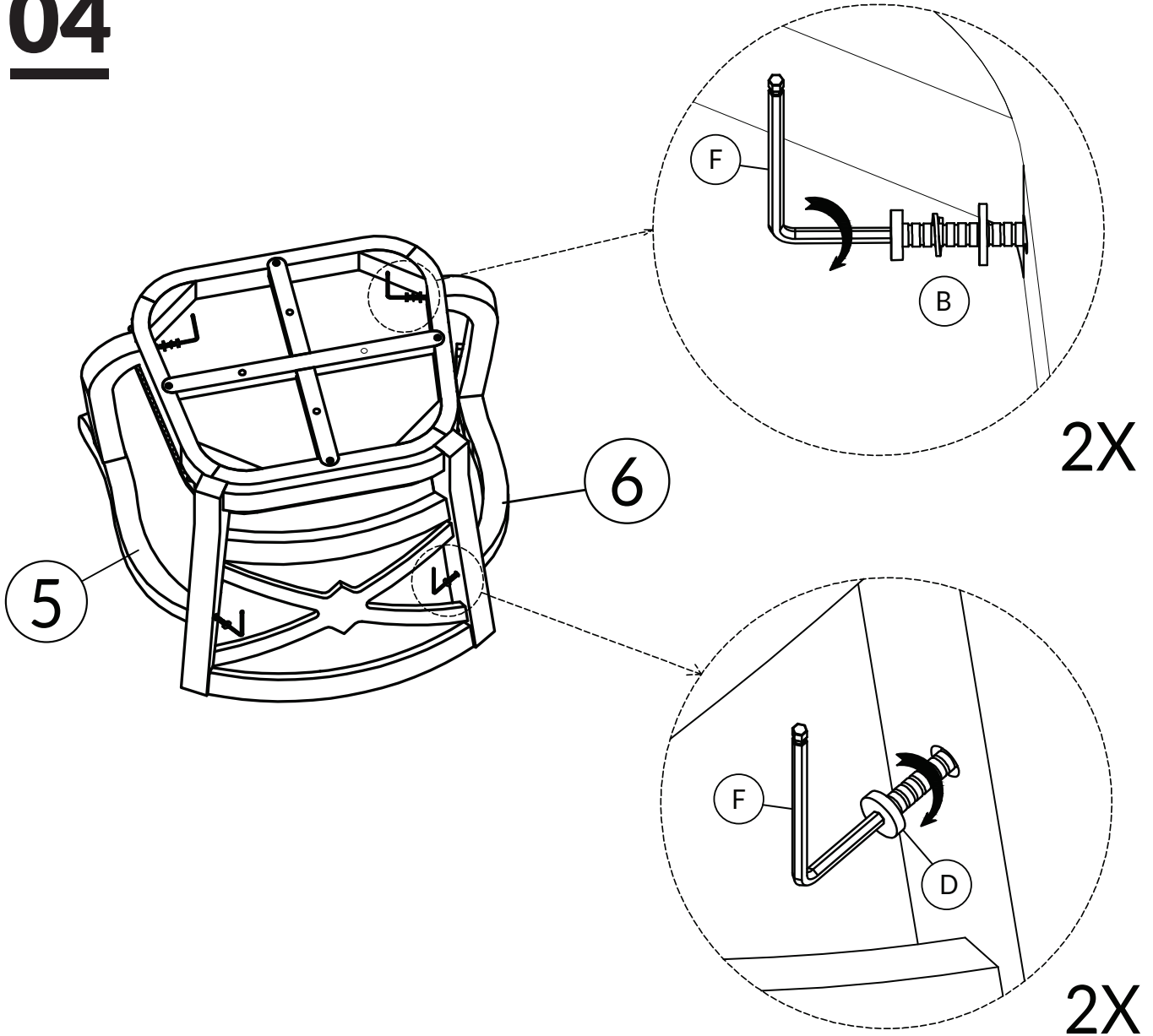


Hardware	Count
B	2
C	4
F	1

TIGHTEN BOLT COMPLETELY.



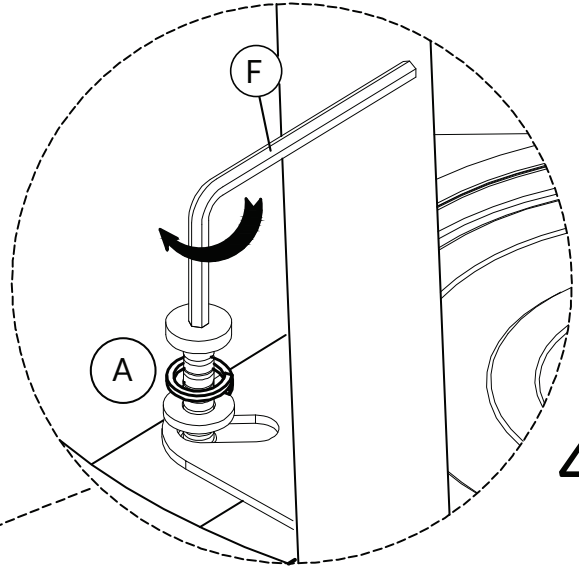
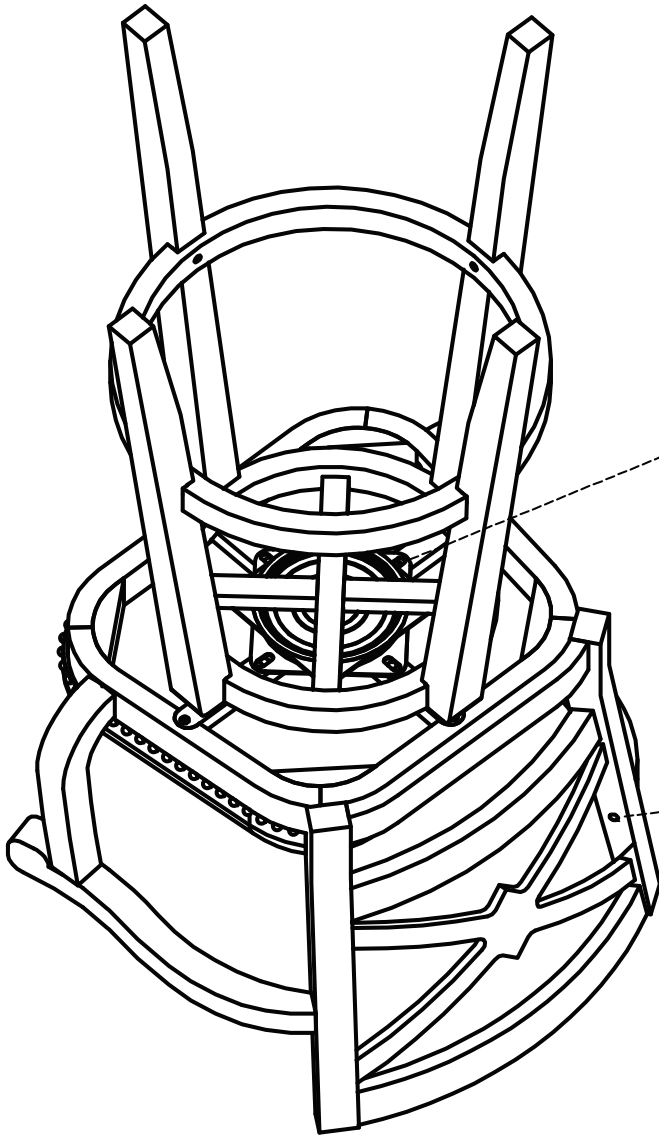
# 04



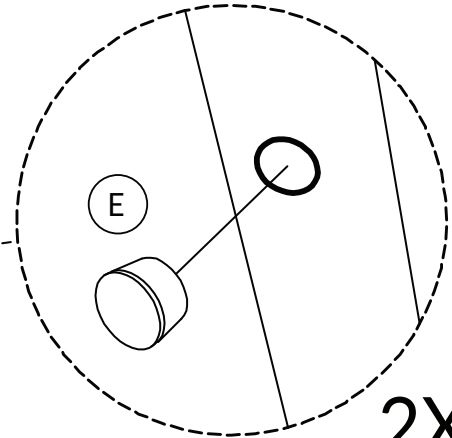
Hardware	Count
B	2
D	2
F	1

TIGHTEN BOLT COMPLETELY.

# 05



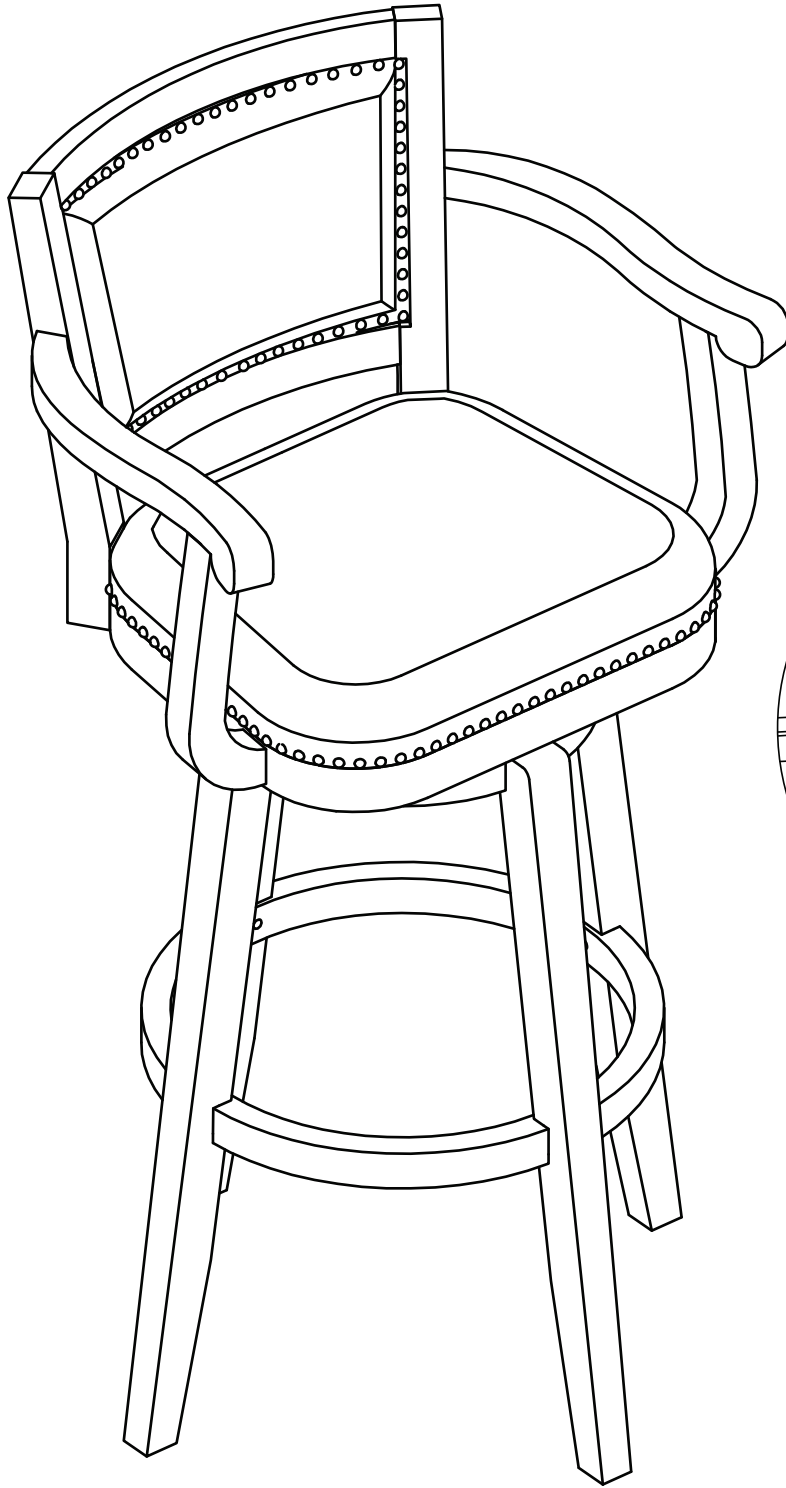
4X



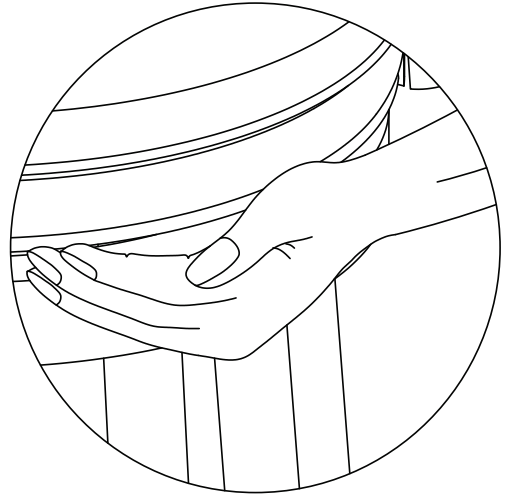
2X

Hardware	Count
A	4
E	2
F	1

TIGHTEN BOLT COMPLETELY.



Weight Capacity



**BE SURE TO CHECK ALL BOLTS ARE SECURELY TIGHTENED PRIOR TO USE.**

847-949-6300 | 877-267-2261 | [customerservice@boraamindustries.com](mailto:customerservice@boraamindustries.com)