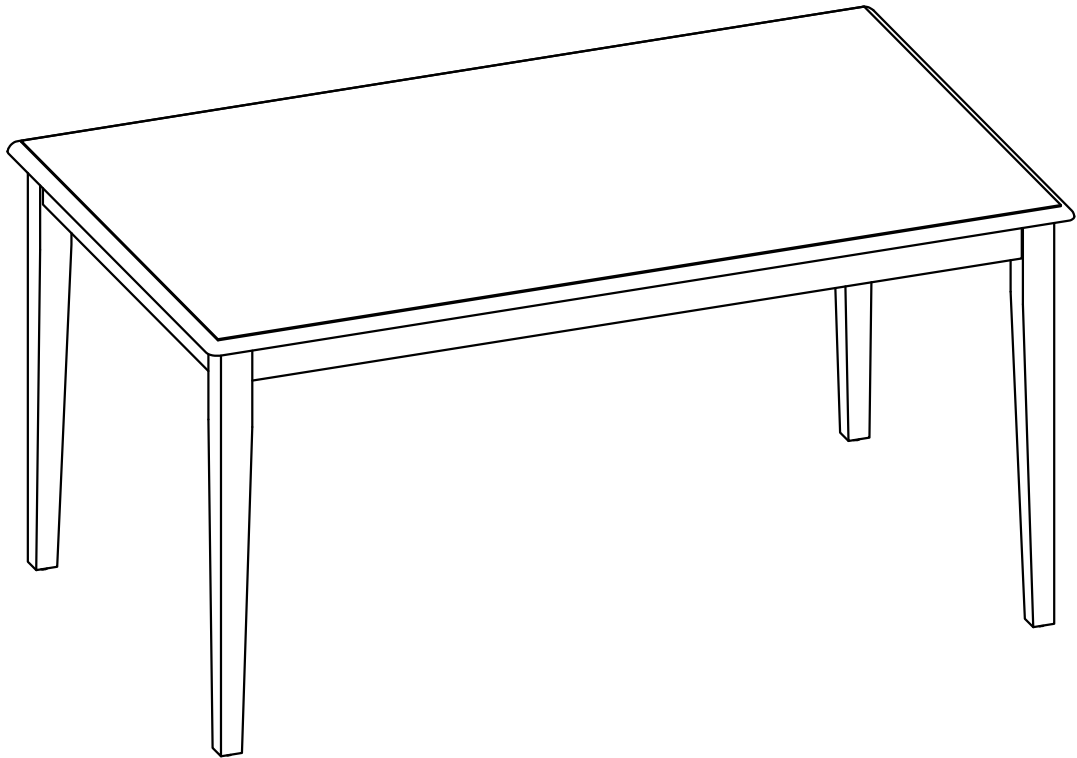




# Boraam Industries

ASSEMBLY INSTRUCTIONS

SKU: 70736 | COLORADO TABLE



Have questions about assembling your item?



Items or parts damaged?



Missing a part?

**We're here to help! (Monday-Friday from 9am-5pm CST)**



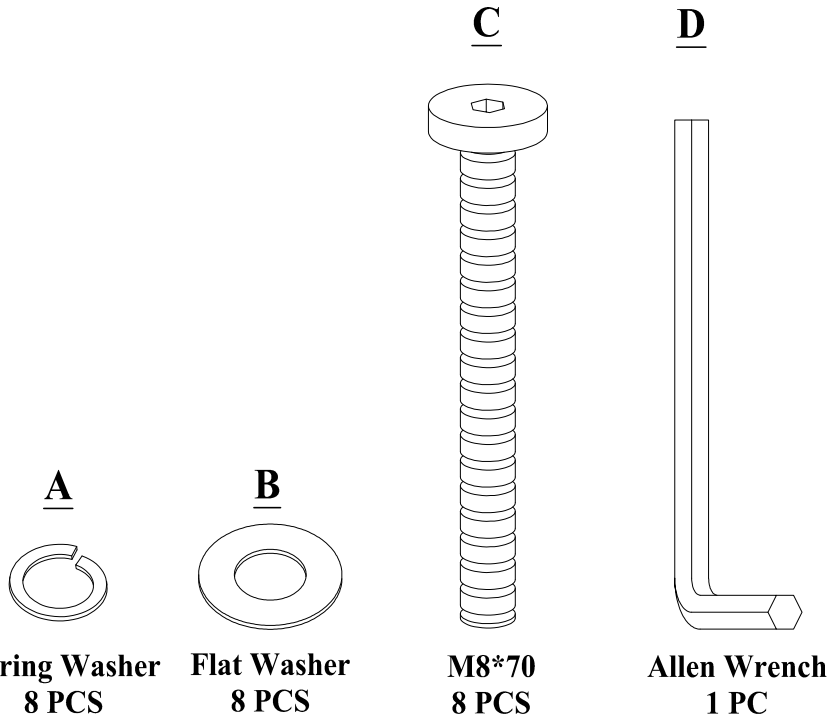
847-949-6300  
877-267-2261



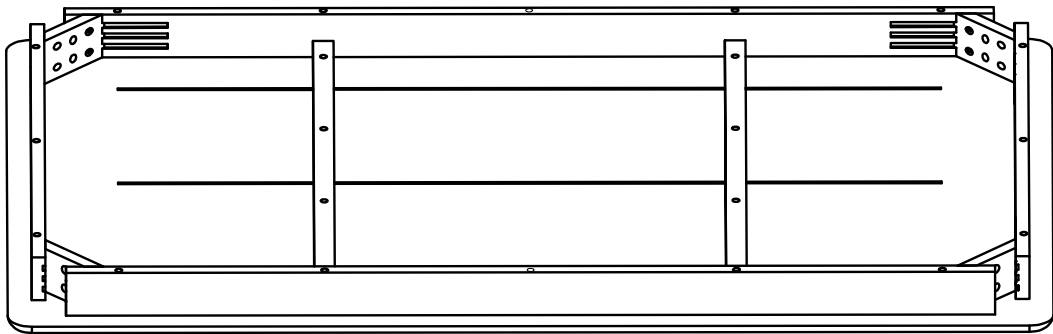
customerservice@  
boraamindustries.com



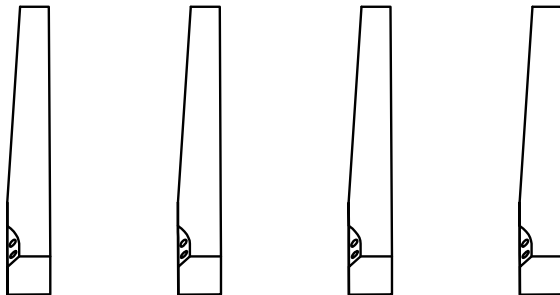
www.boraamindustries.com



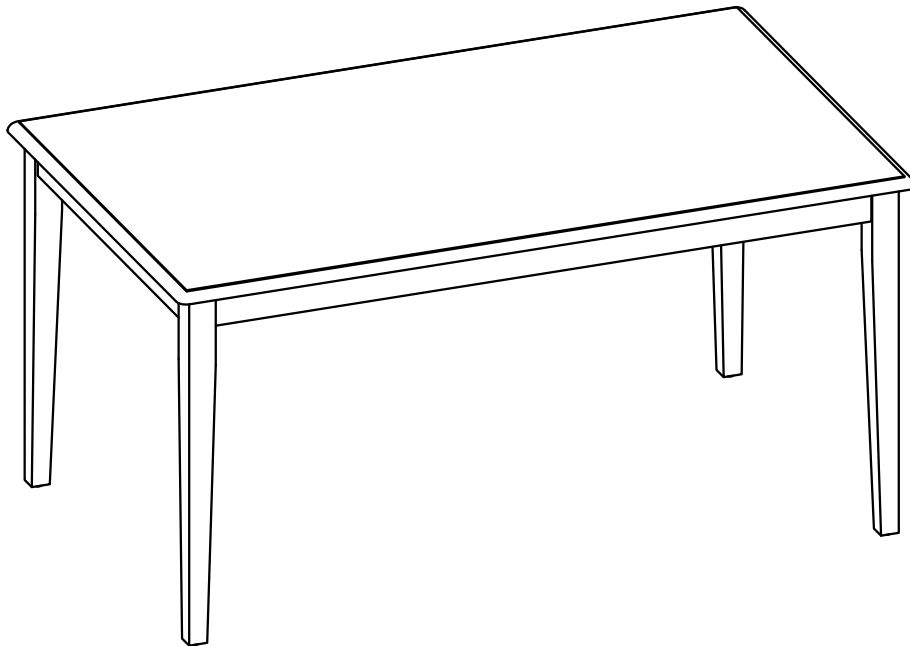
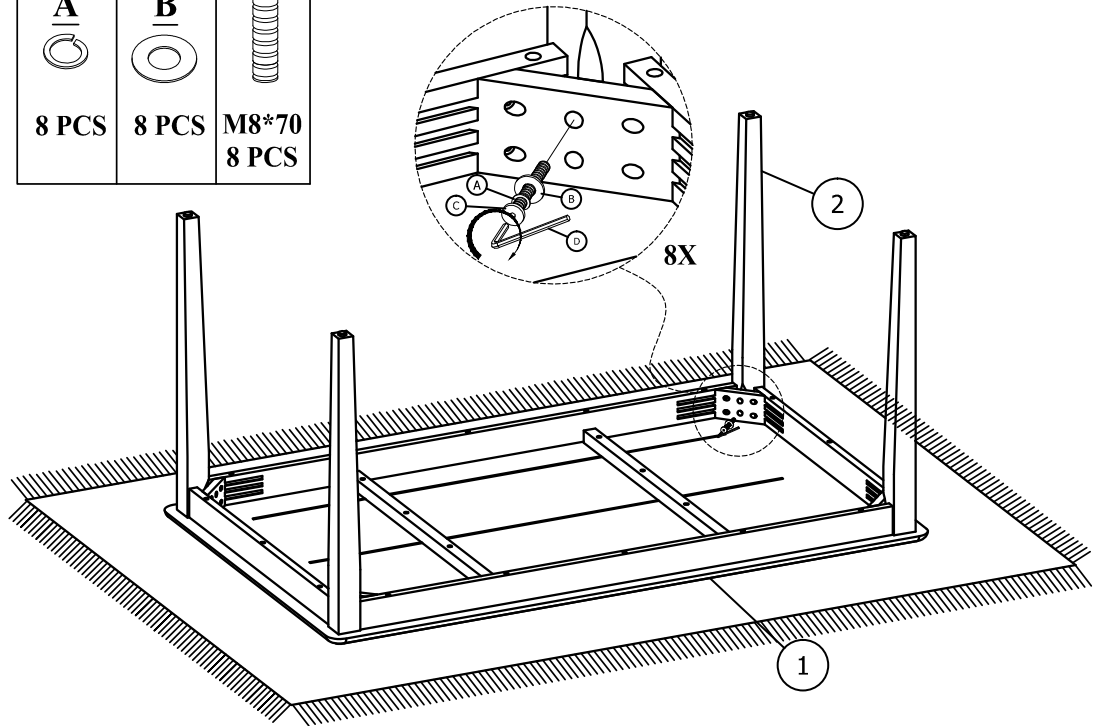
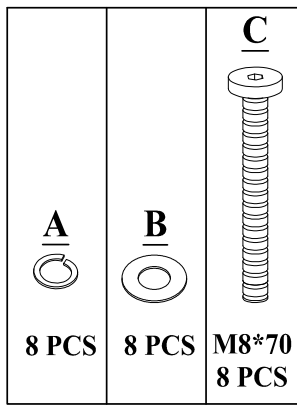
①



②



# 01



BE SURE TO CHECK ALL BOLTS ARE SECURELY TIGHTENED PRIOR USING THIS TABLE

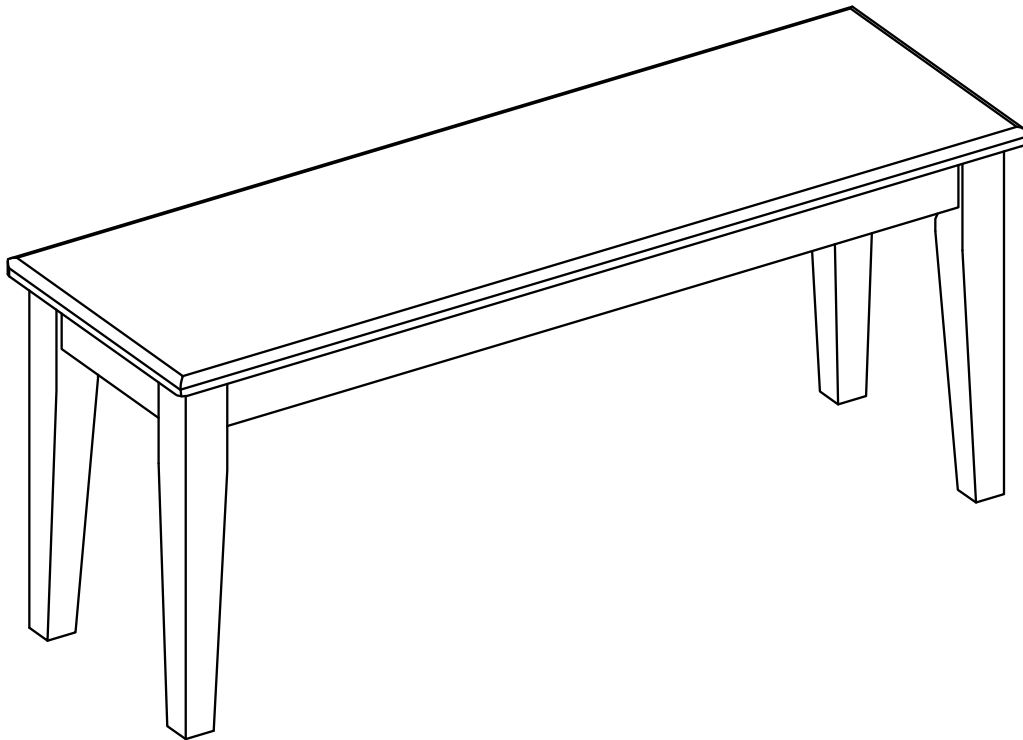
847-949-6300 | 877-267-2261 | [customerservice@boraamindustries.com](mailto:customerservice@boraamindustries.com)



# Boraam Industries

ASSEMBLY INSTRUCTIONS

SKU: 36736 | COLORADO BENCH



Have questions about assembling your item?



Items or parts damaged?



Missing a part?

**We're here to help! (Monday-Friday from 9am-5pm CST)**



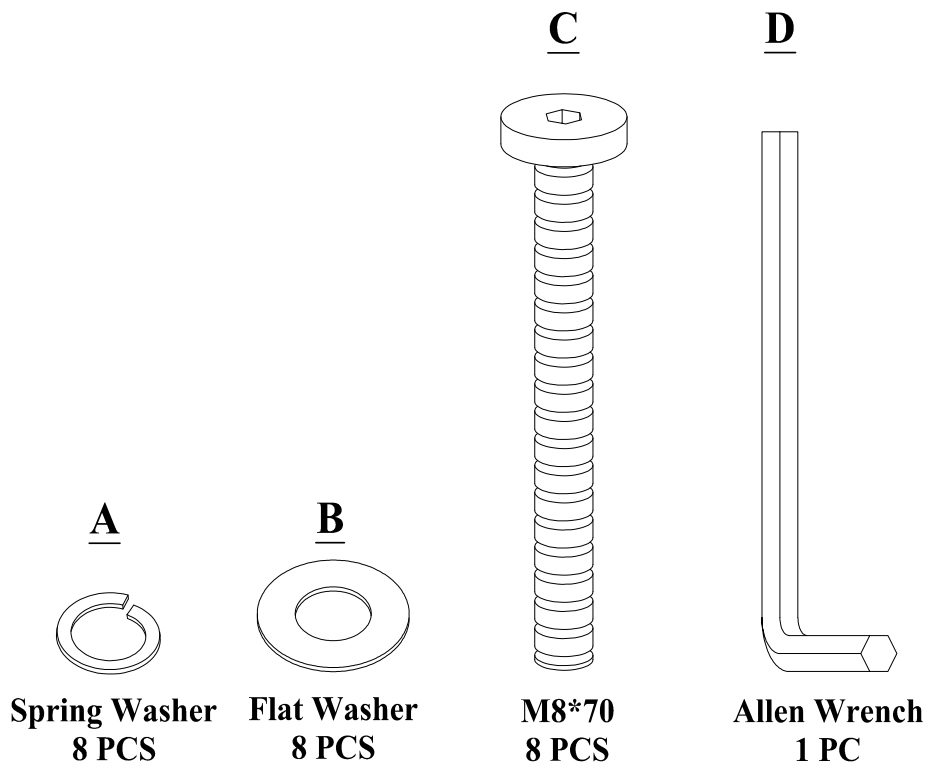
847-949-6300  
877-267-2261



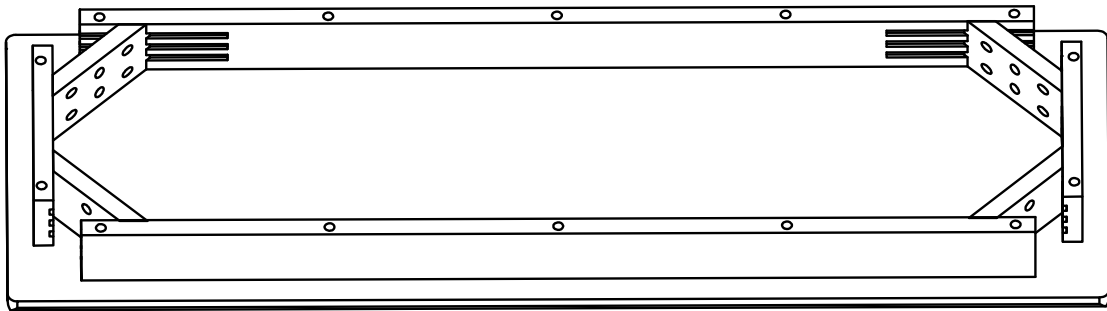
customerservice@  
boraamindustries.com



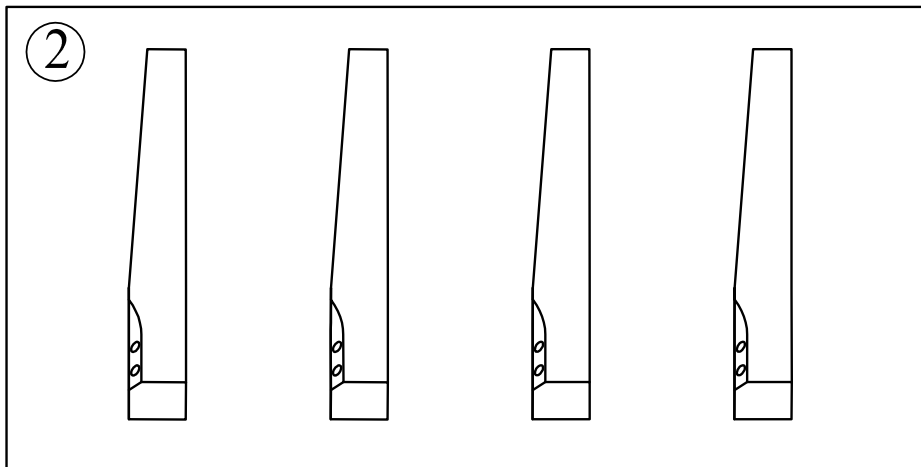
www.boraamindustries.com



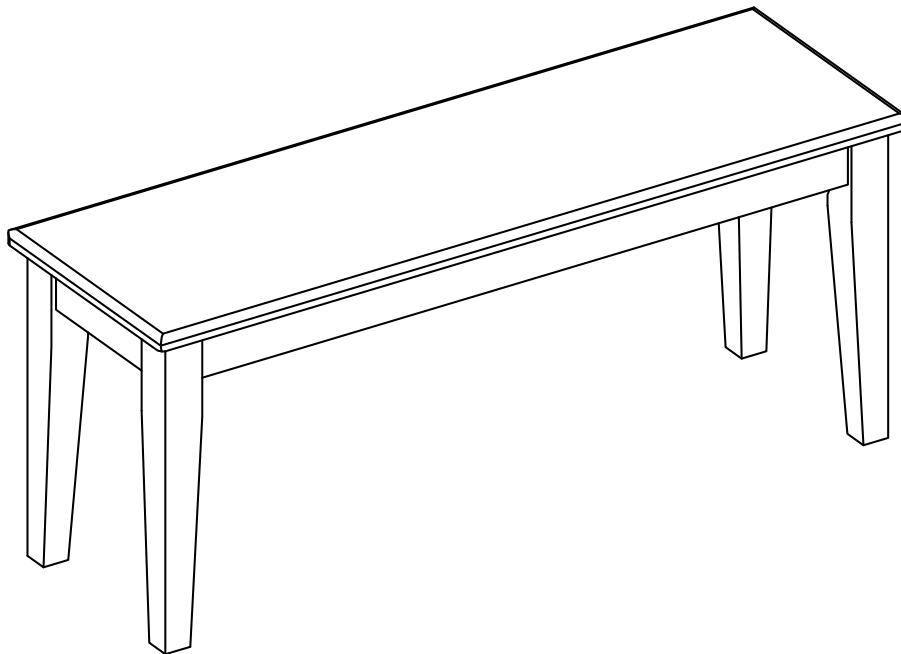
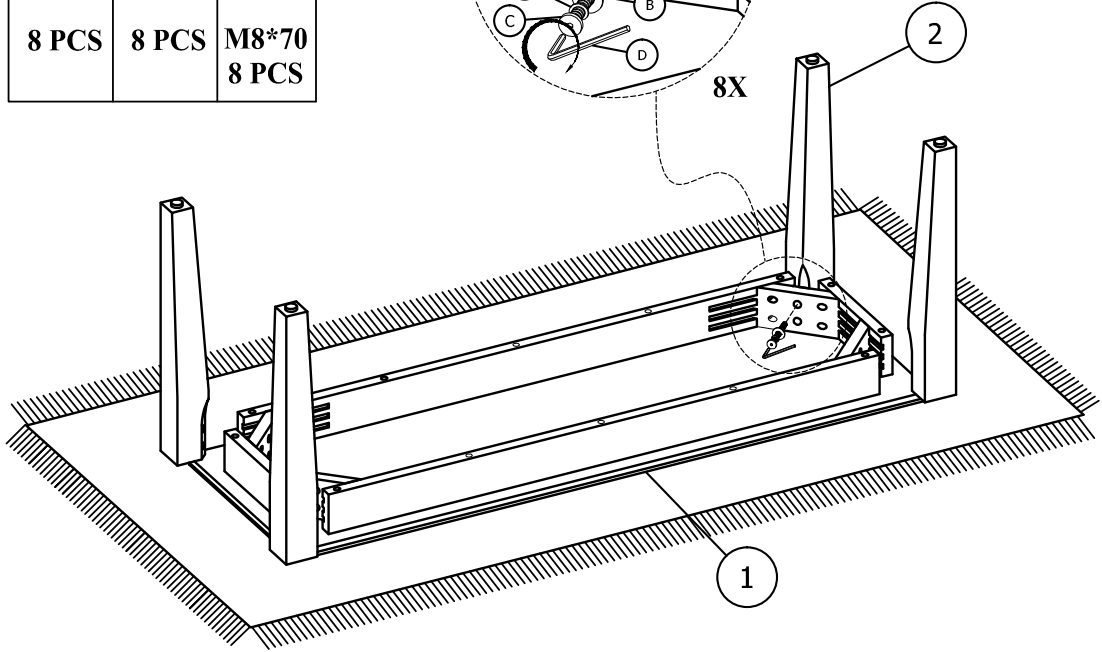
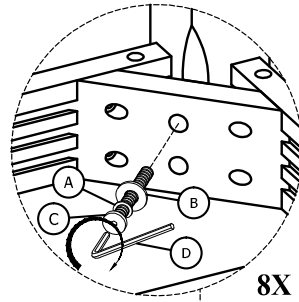
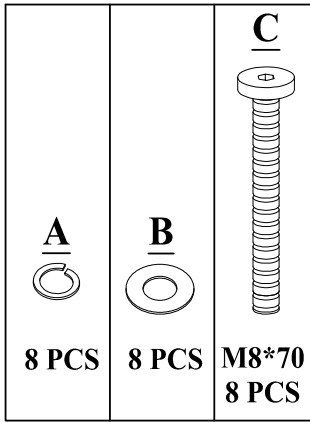
①



②



# 01



BE SURE TO CHECK ALL BOLTS ARE SECURELY TIGHTENED PRIOR USING THIS BENCH

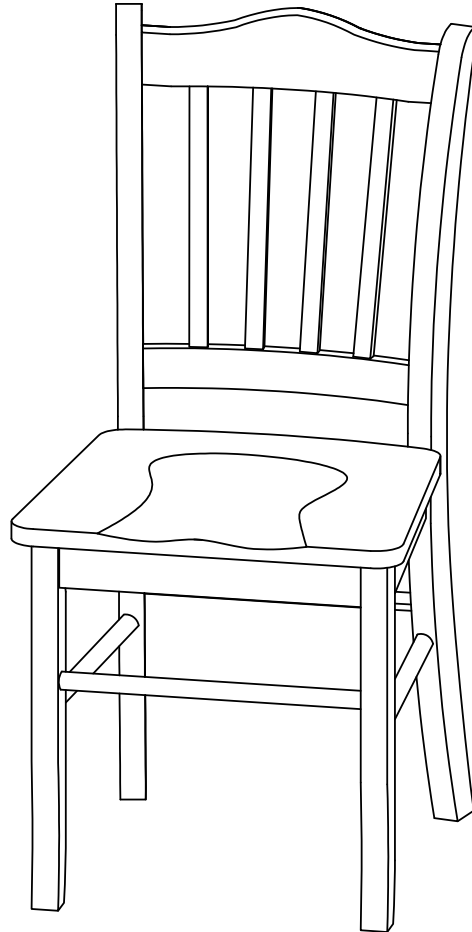
847-949-6300 | 877-267-2261 | [customerservice@boraamindustries.com](mailto:customerservice@boraamindustries.com)



# Boraam Industries

ASSEMBLY INSTRUCTIONS

SKU: 30736 | COLORADO DINING CHAIR



Have questions about assembling your item?



Items or parts damaged?



Missing a part?

**We're here to help! (Monday-Friday from 9am-5pm CST)**



847-949-6300  
877-267-2261

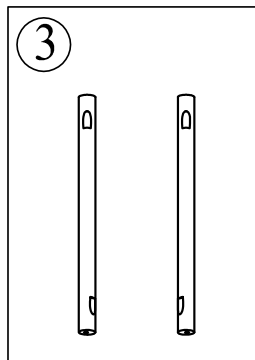
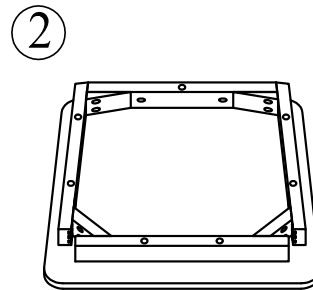
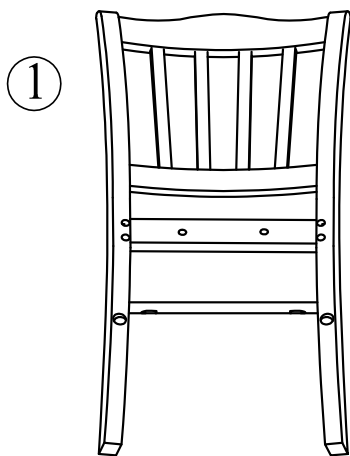
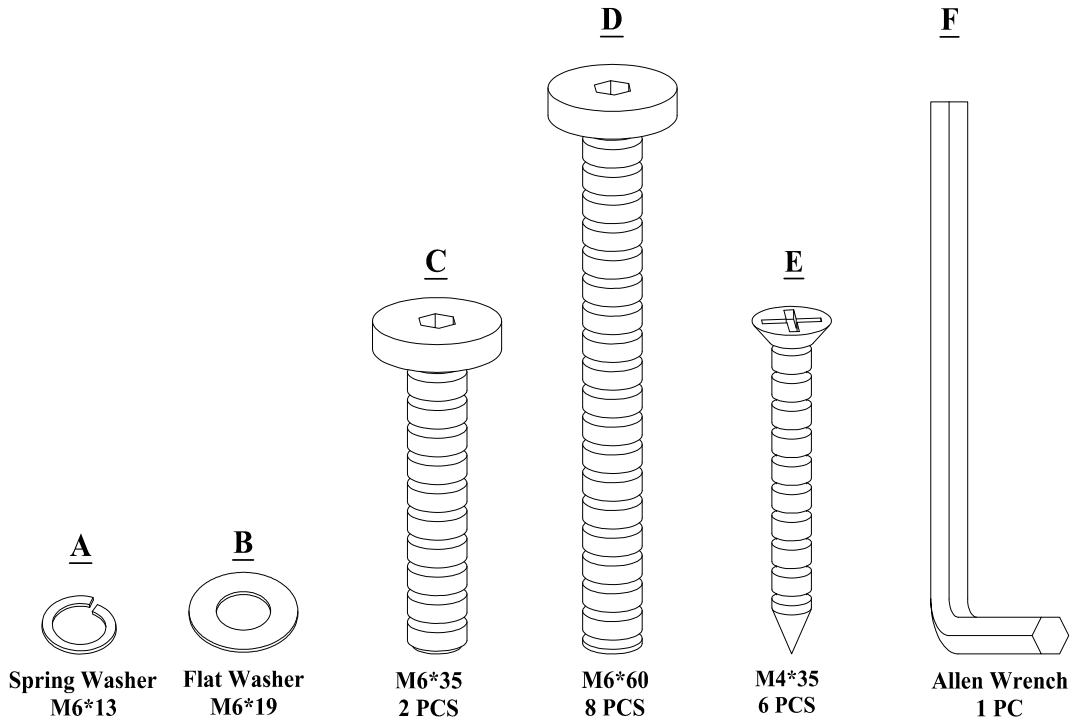


customerservice@  
boraamindustries.com



www.boraamindustries.com

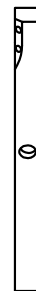
Phillips  
Screwdriver  
(Not provided)



④



⑤



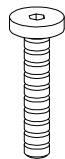
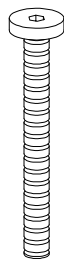


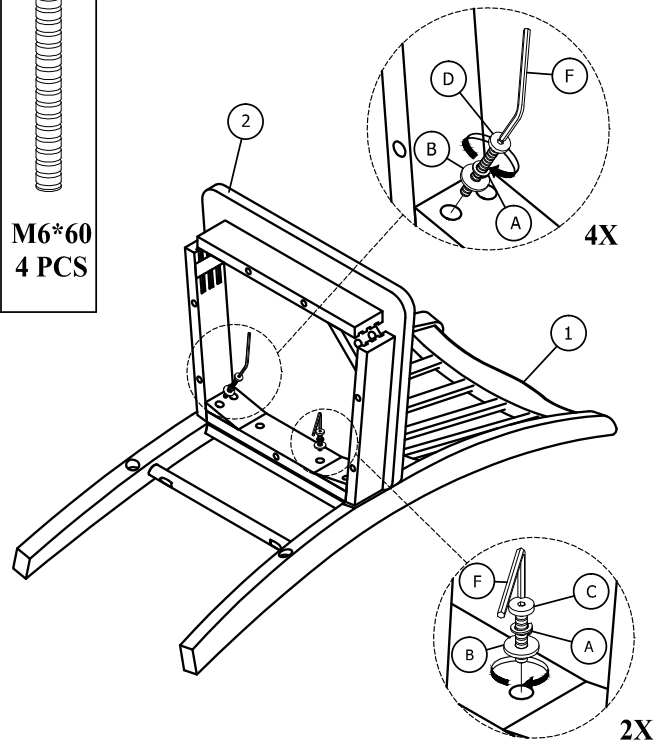
⑥



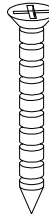


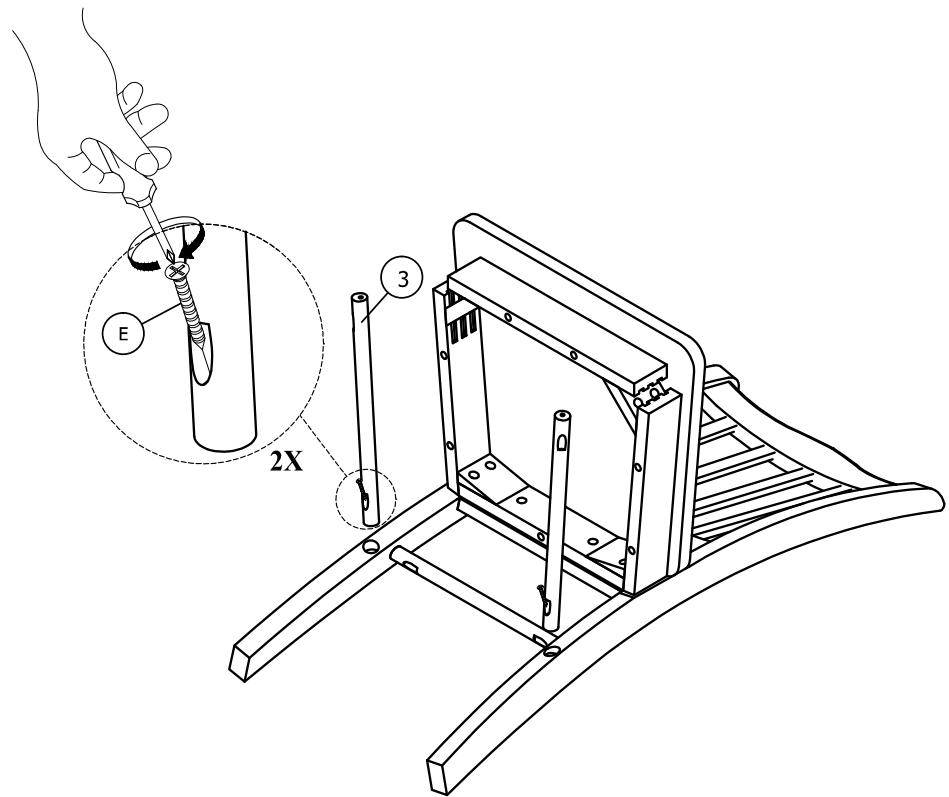
# 01

<b>A</b>  6 PCS	<b>B</b>  6 PCS	<b>C</b>  M6*35 2 PCS	<b>D</b>  M6*60 4 PCS
--	--	---	---



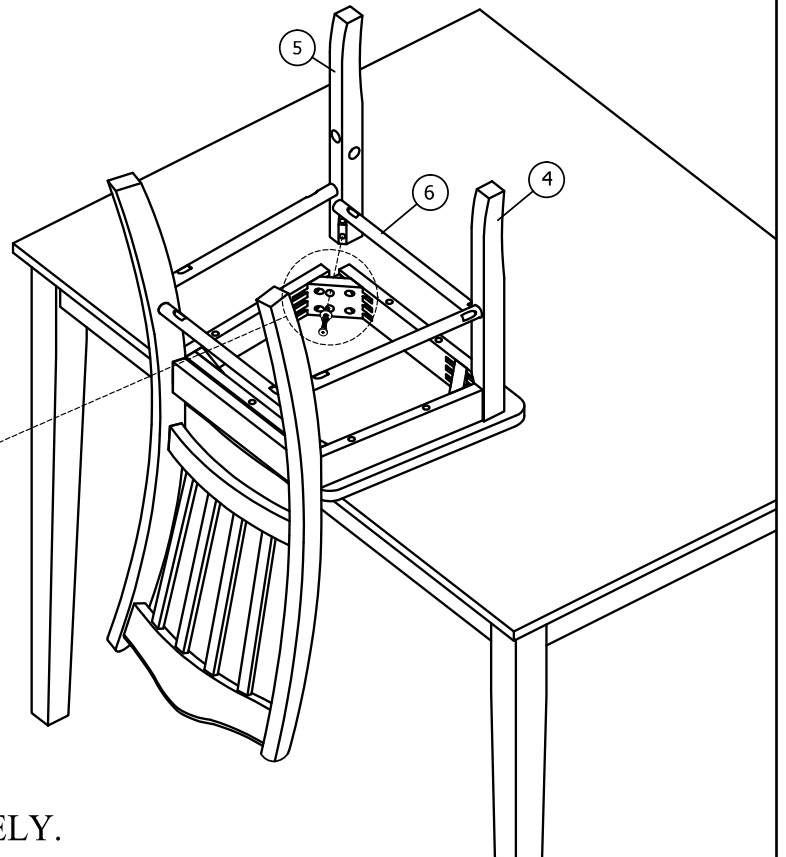
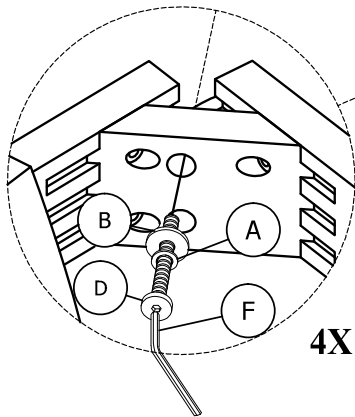
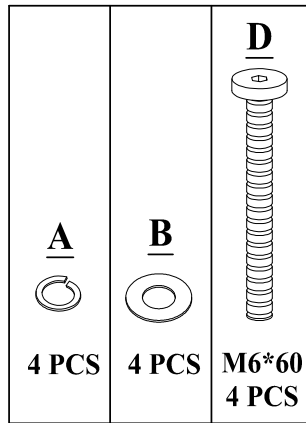
# 02

<b>E</b>  M4*35 2 PCS
---



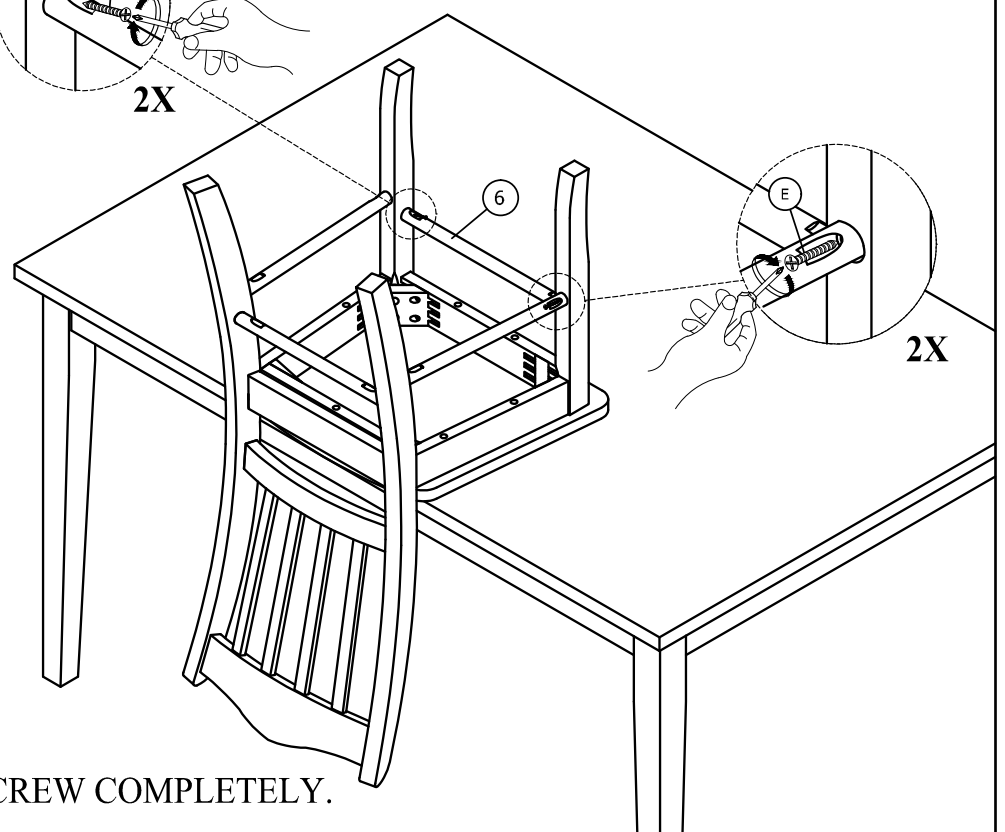
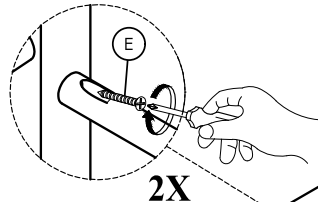
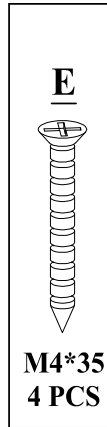
DO NOT TIGHTEN SCREW COMPLETELY.

# 03

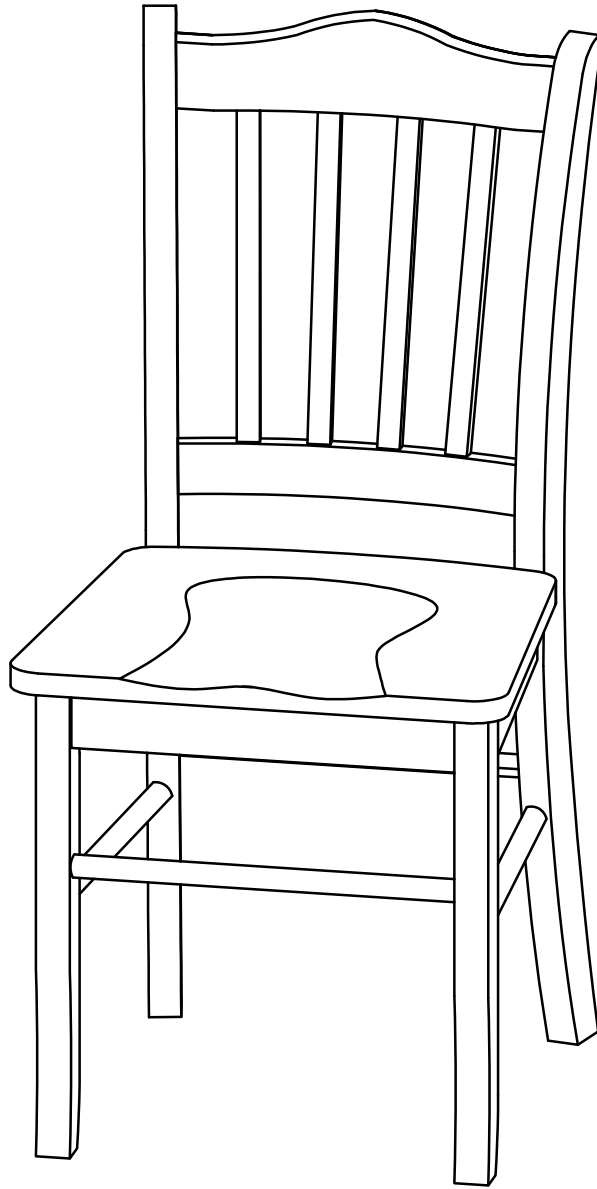


DO NOT TIGHTEN BOLT COMPLETELY.

# 04



TIGHTEN BOLT AND SCREW COMPLETELY.



BE SURE TO CHECK ALL BOLTS ARE SECURELY TIGHTENED PRIOR USING THIS CHAIR

847-949-6300 | 877-267-2261 | [customerservice@boraamindustries.com](mailto:customerservice@boraamindustries.com)