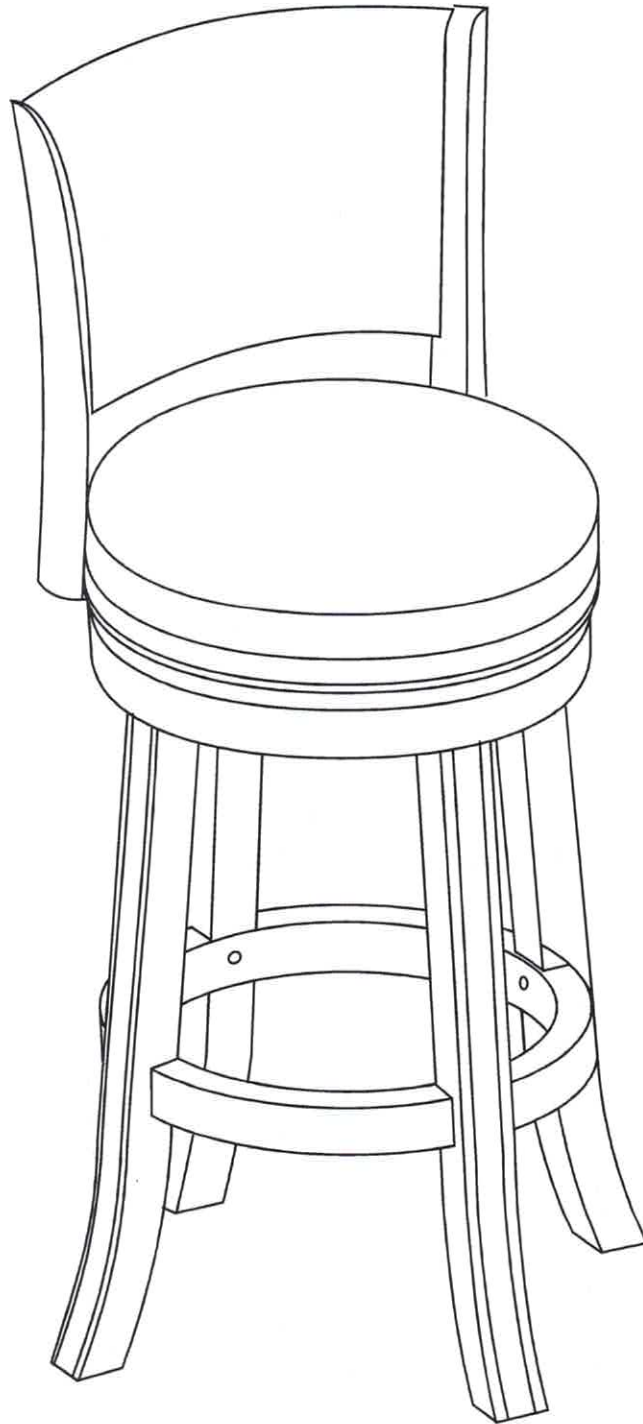
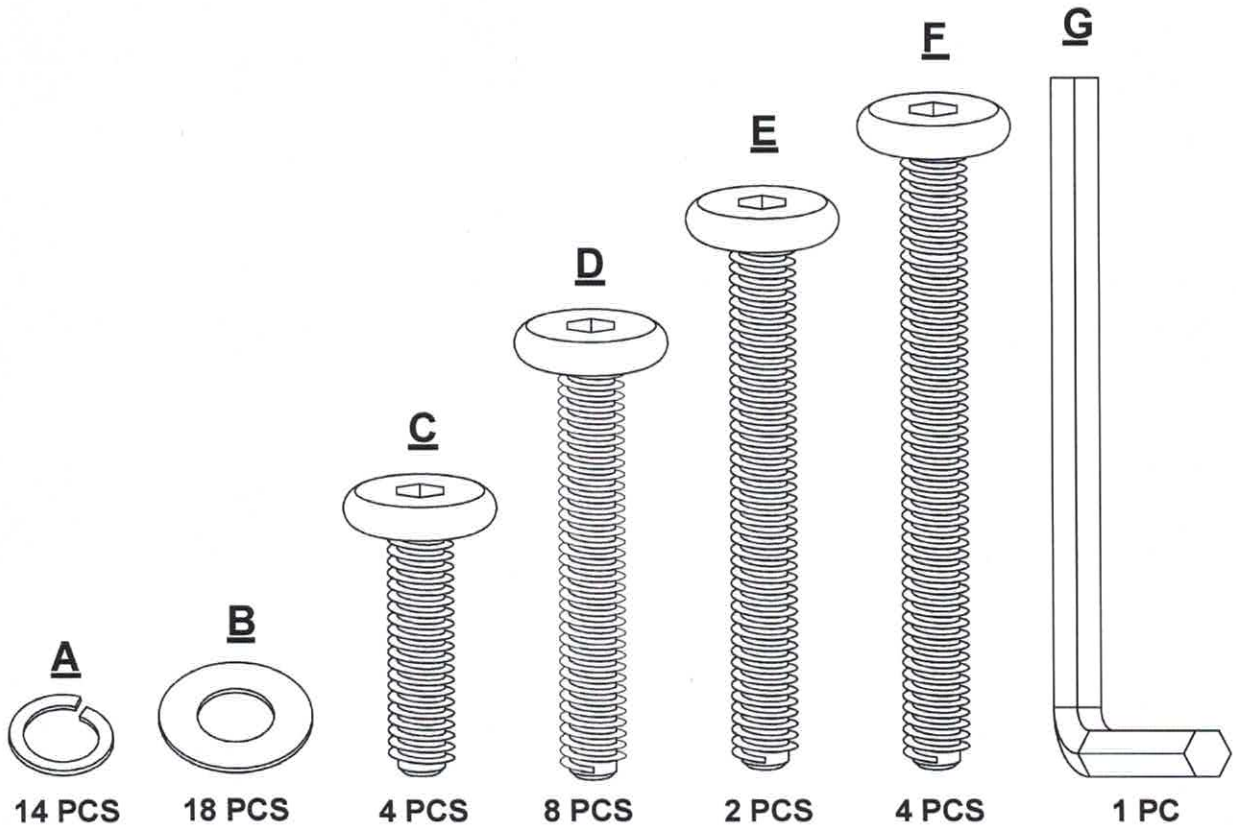


86424, 86429

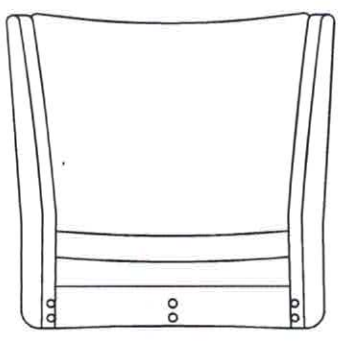


Boraam Industries
TOLEDO SWIVEL STOOL
ASSEMBLY INSTRUCTIONS

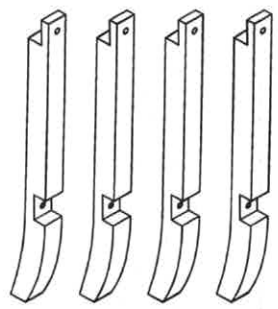




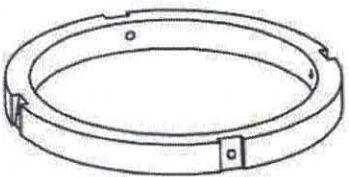
1



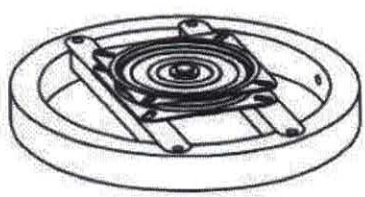
2



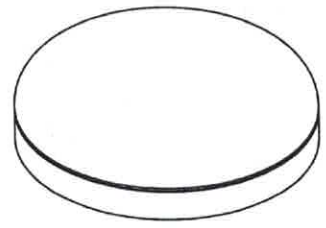
3



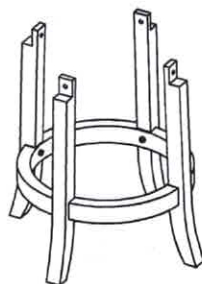
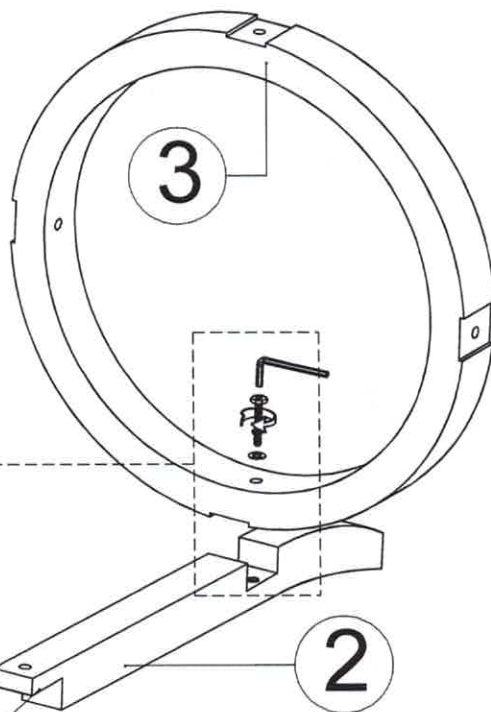
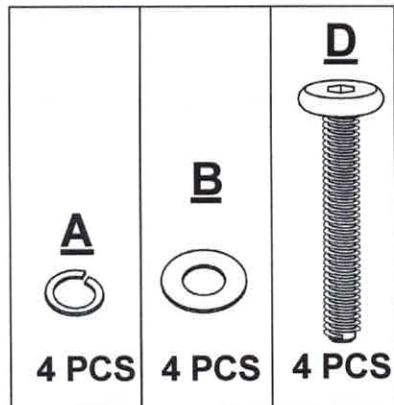
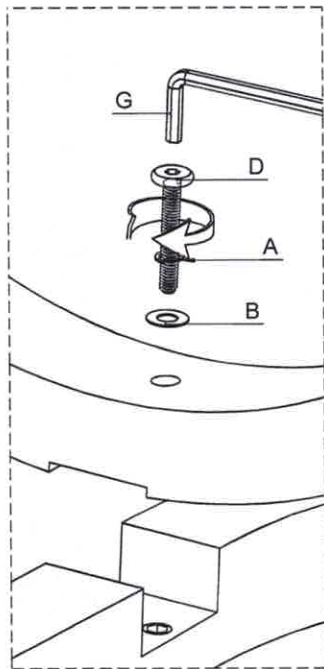
4



5



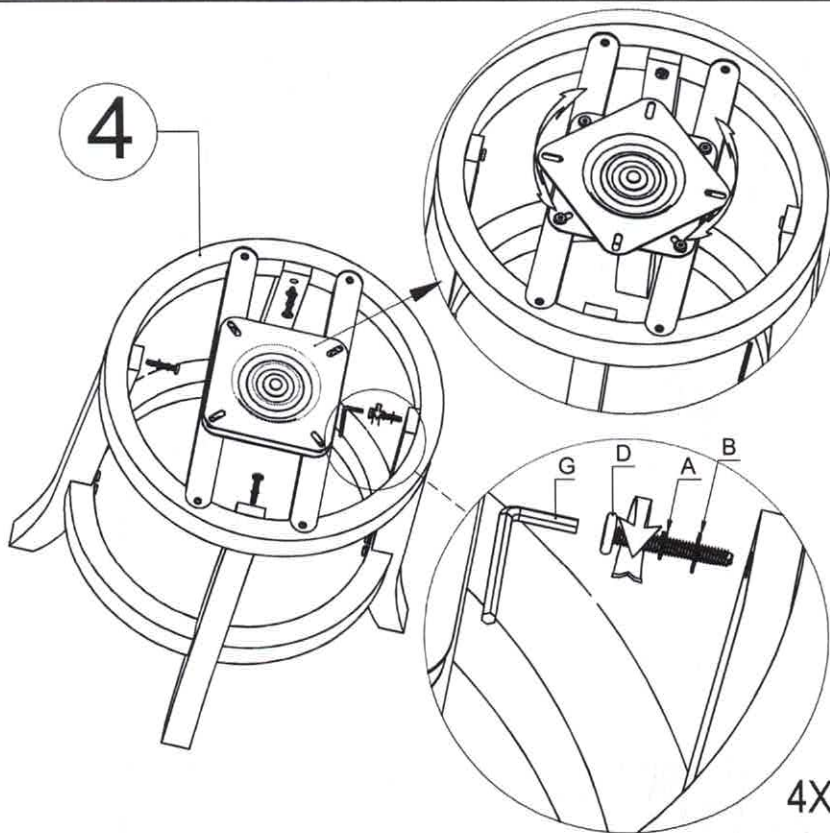
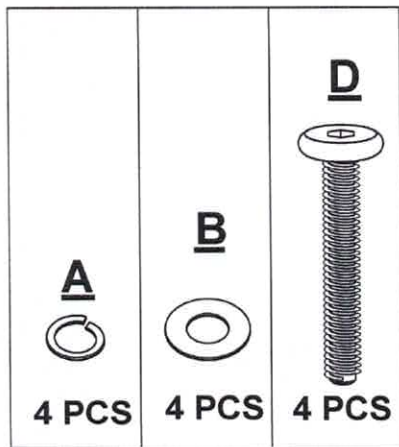
01



4X

DO NOT TIGHTEN BOLT COMPLETELY.





02

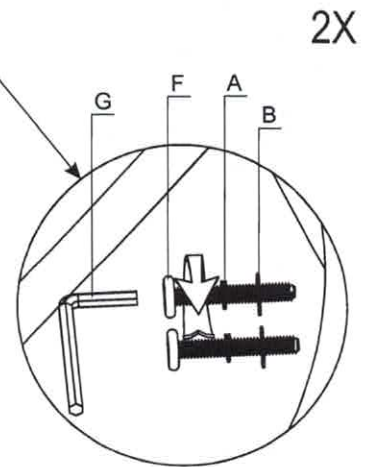
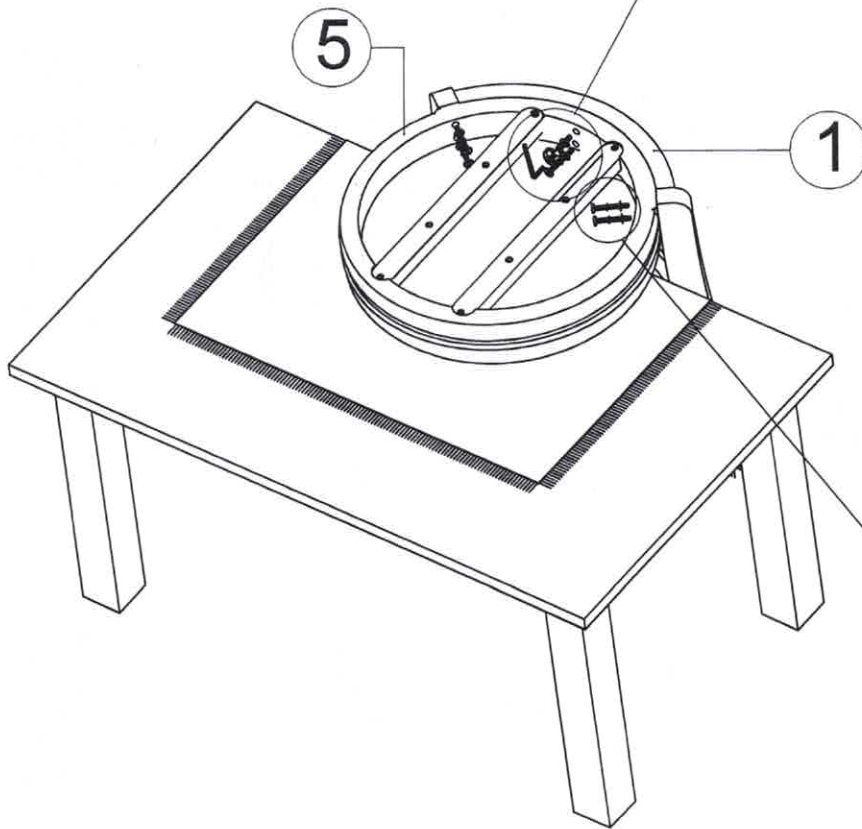
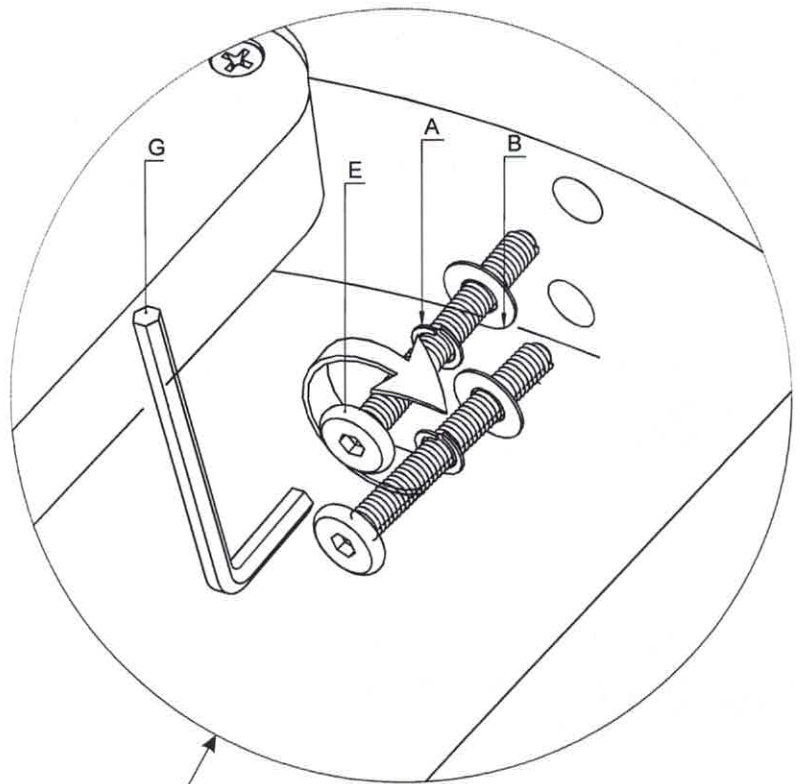


TIGHTEN BOLT COMPLETELY.

4X

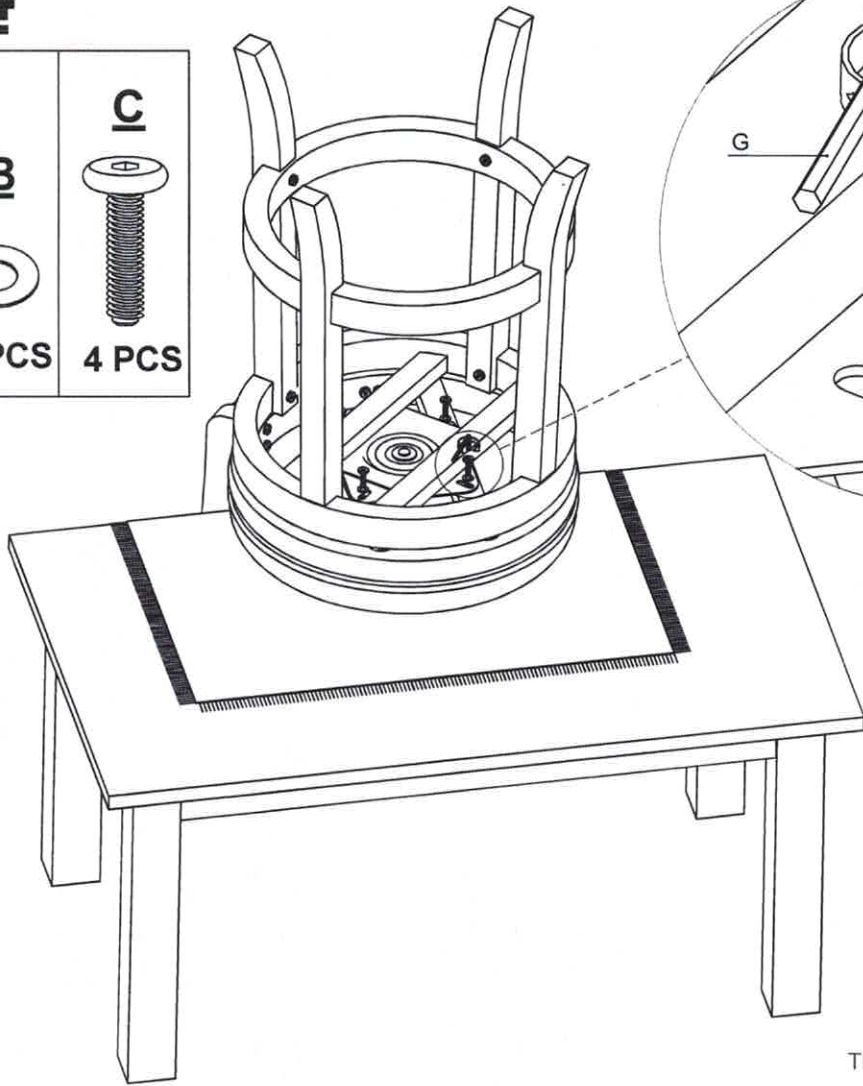
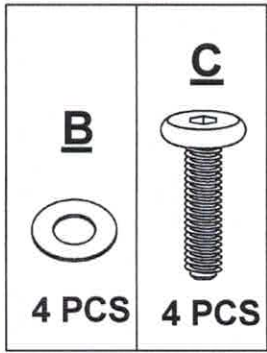
03

A 	B 	E 	E 
6 PCS	6 PCS	2 PCS	4 PCS

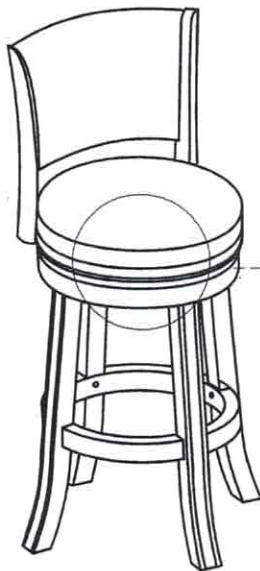


TIGHTEN BOLT COMPLETELY.

04



TIGHTEN BOLT COMPLETELY.



BE SURE TO CHECK ALL BOLTS ARE SECURELY TIGHTENED PRIOR USING THIS STOOL.