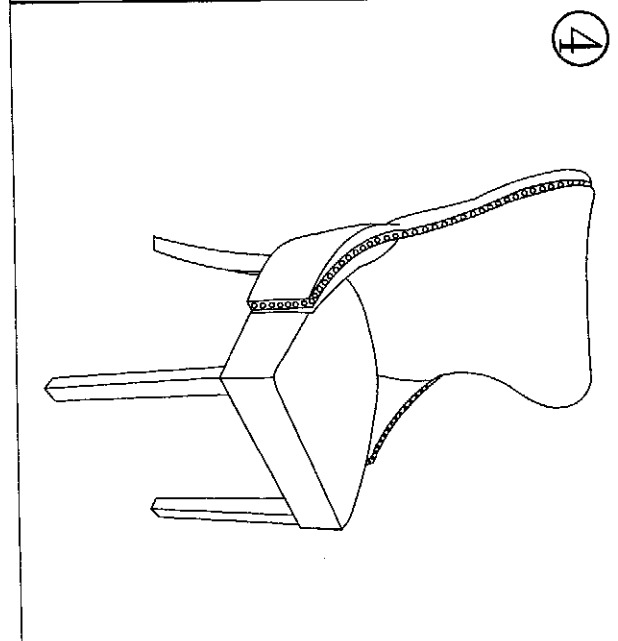
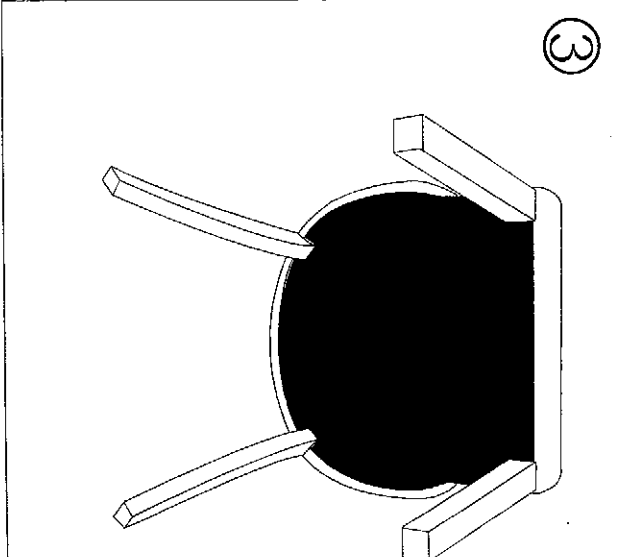
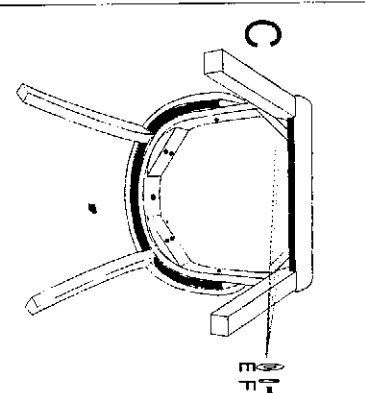
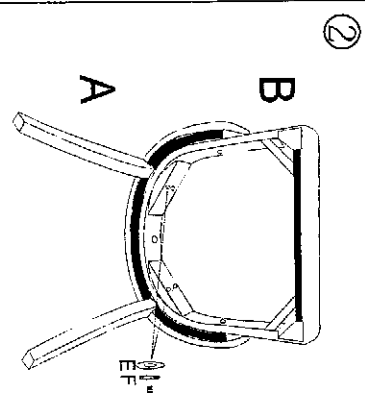
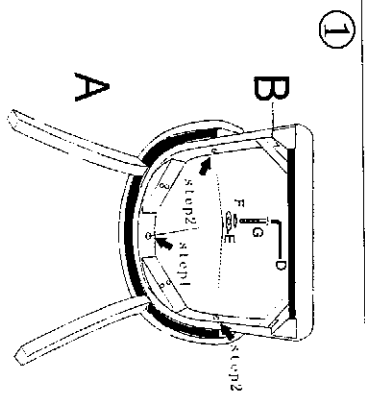


ASSEMBLY INSTRUCTION

84618

| | |
|-----|---------|
| Ax1 | Ex11 |
| Bx1 | Fx11 |
| Cx2 | Gx7 |
| Dx1 | Hx4 |
| | M8x60mm |
| | M8x75mm |



WARNING:
 DO NOT STAND ON THE PRODUCT. DO NOT USE THIS PRODUCT AS A STEP LADDER.
 DO NOT USE THIS PRODUCT UNLESS ALL BOLTS, SCREWS AND KNOBS ARE FIRMLY SECURED.
 PLEASE DO NOT USE KNIFE TO OPEN ANY PARTS OF THE BOX OR PRODUCT.