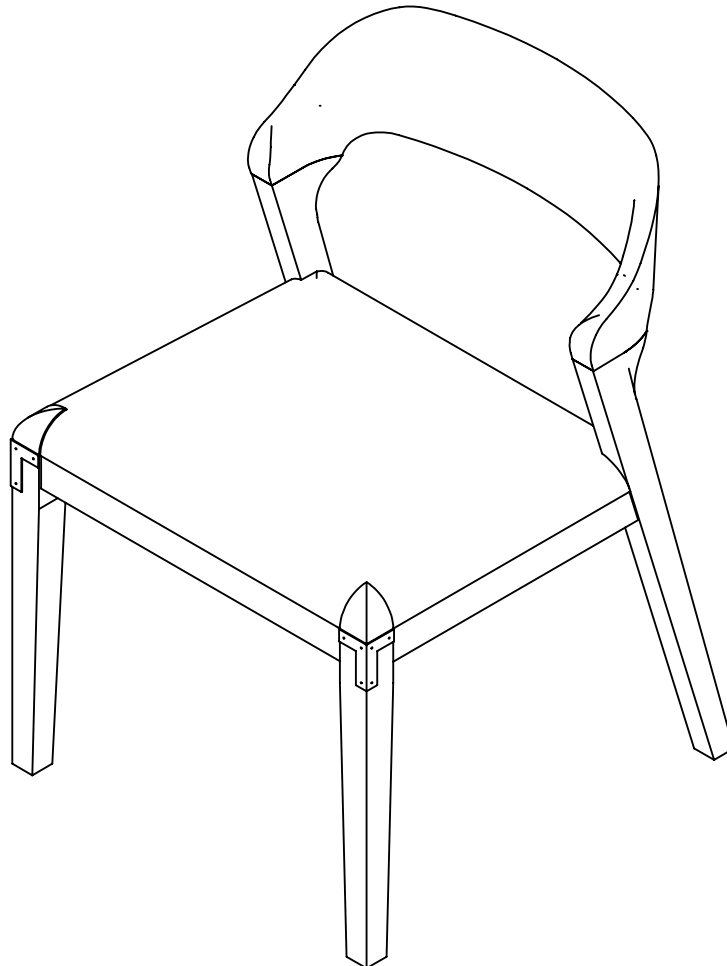




Boraam Industries

ASSEMBLY INSTRUCTIONS

SKU: 77516 | MONTANA DINING CHAIR



Have questions about assembling your item?



Items or parts damaged?



Missing a part?

We're here to help! (Monday-Friday from 9am-5pm CST)



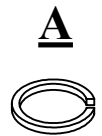
847-949-6300
877-267-2261



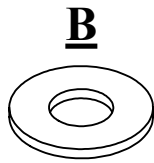
customerservice@
boraamindustries.com



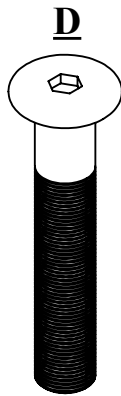
www.boraamindustries.com



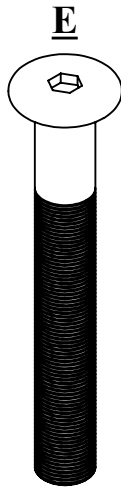
A
9PCS
M8*10



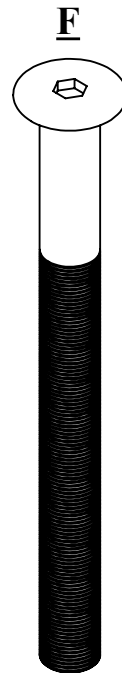
B
9PCS
M8*19



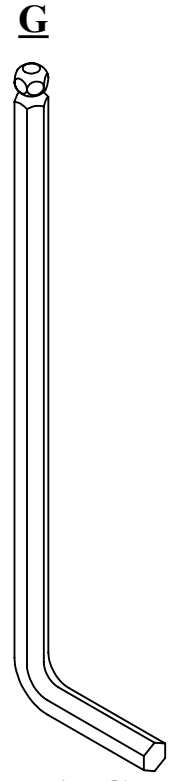
D
3PCS
M8*45



E
4PCS
M8*60

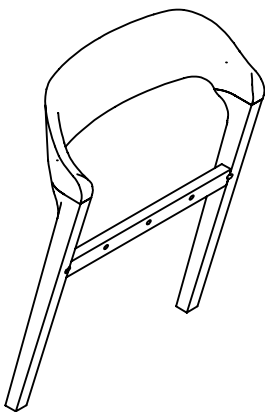


F
2PCS
M8*95

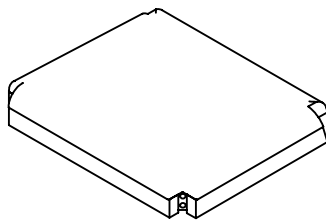


G
1PC
Allen Wrench
M4*110

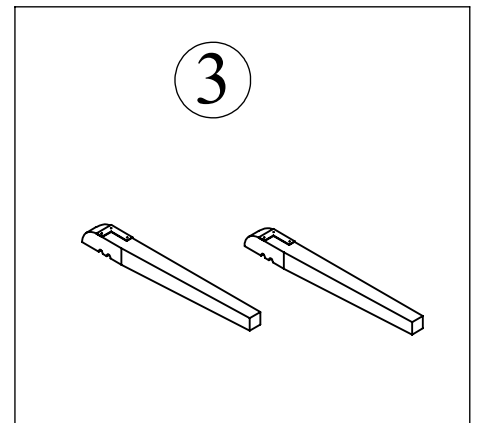
1






2

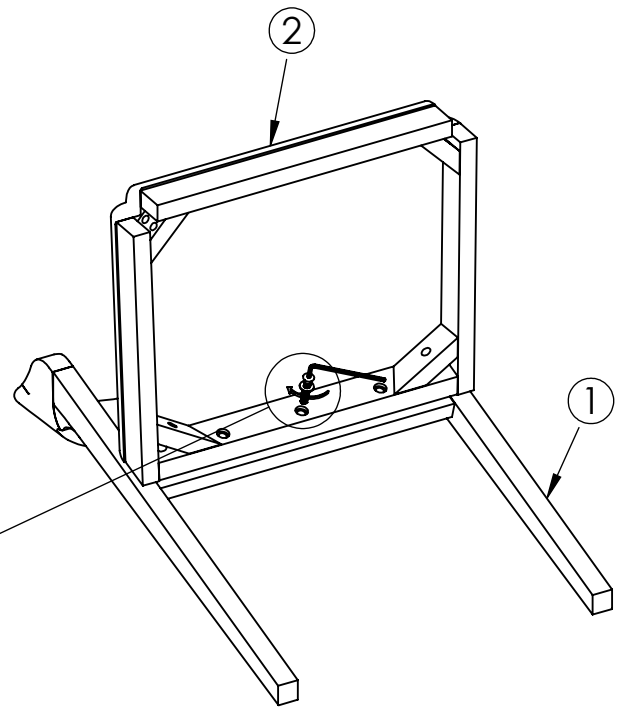
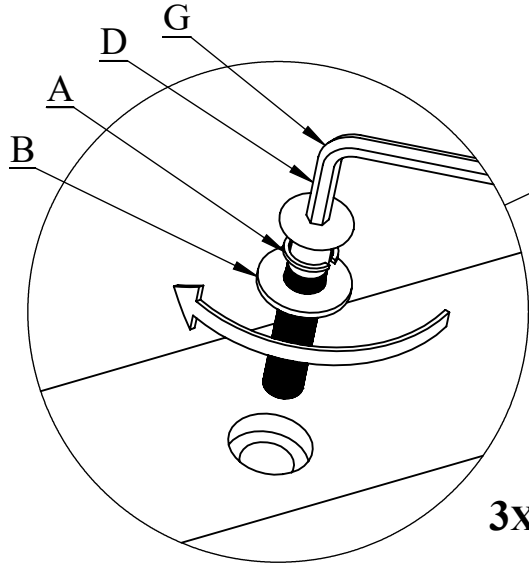


3






01

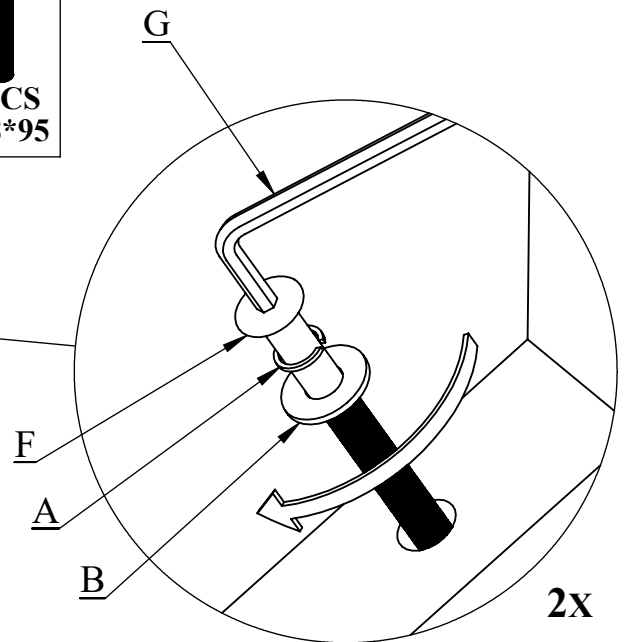
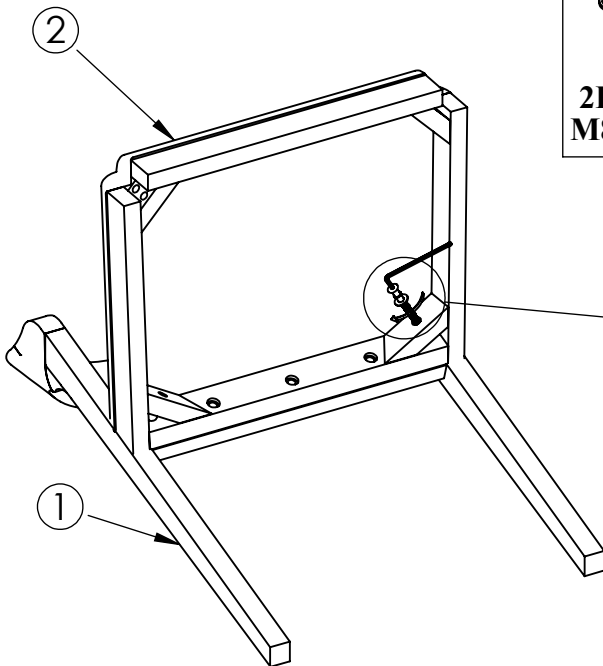
A 	B 	D 
3PCS M8*10	3PCS M8*19	3PCS M8*45



DO NOT TIGHTEN BOLT COMPLETELY




02

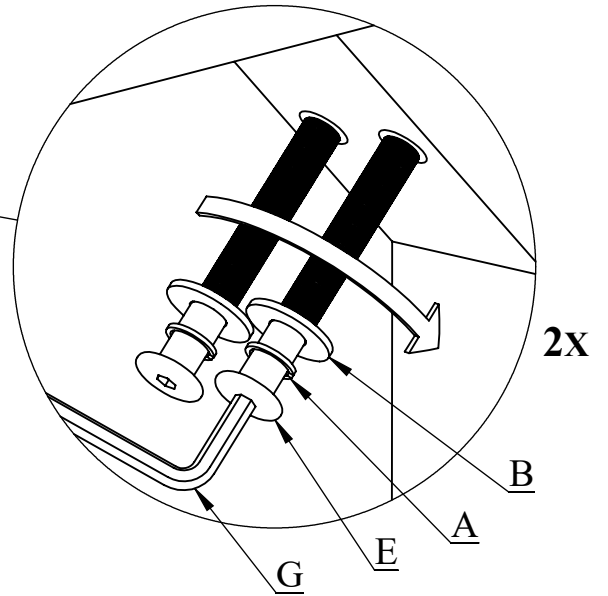
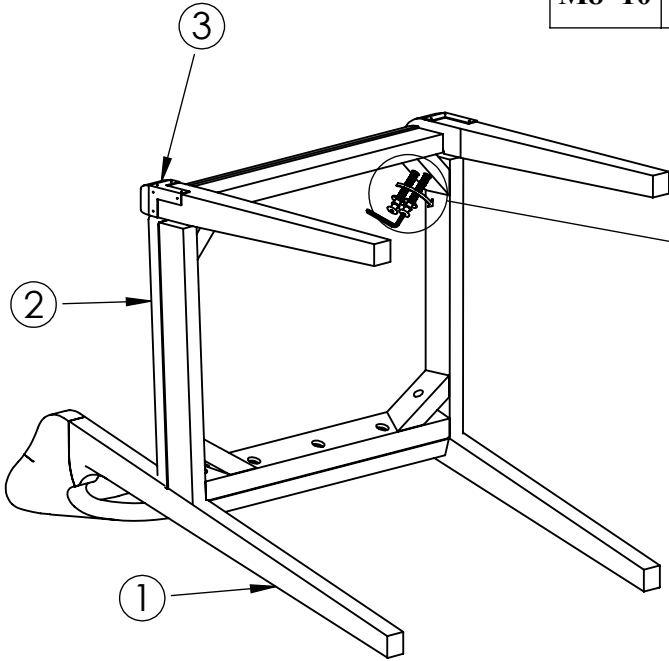
A 	B 	F 
2PCS M8*10	2PCS M8*19	2PCS M8*95



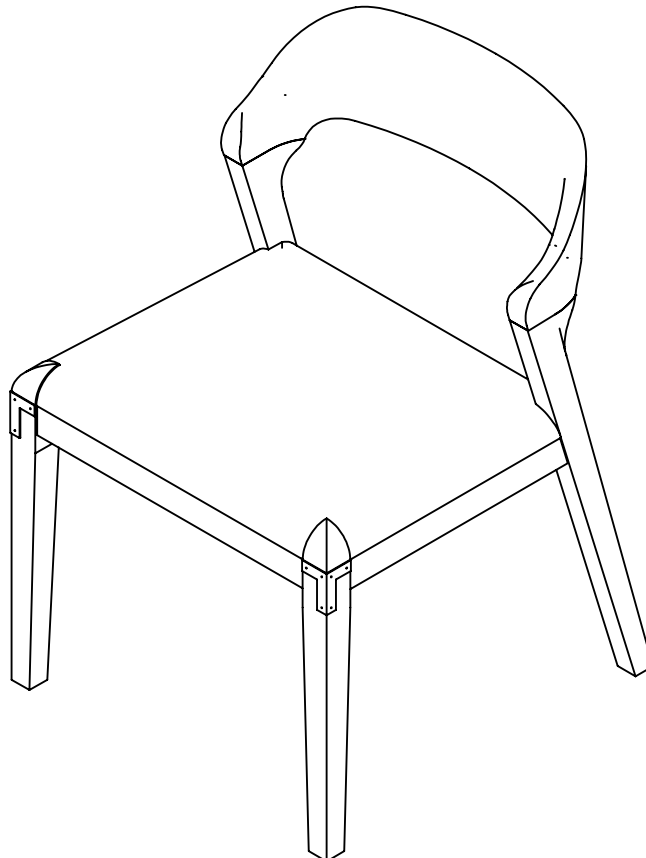
DO NOT TIGHTEN BOLT COMPLETELY

03

<u>A</u>	<u>B</u>	<u>E</u>
		
4PCS M8*10	4PCS M8*19	4PCS M8*60



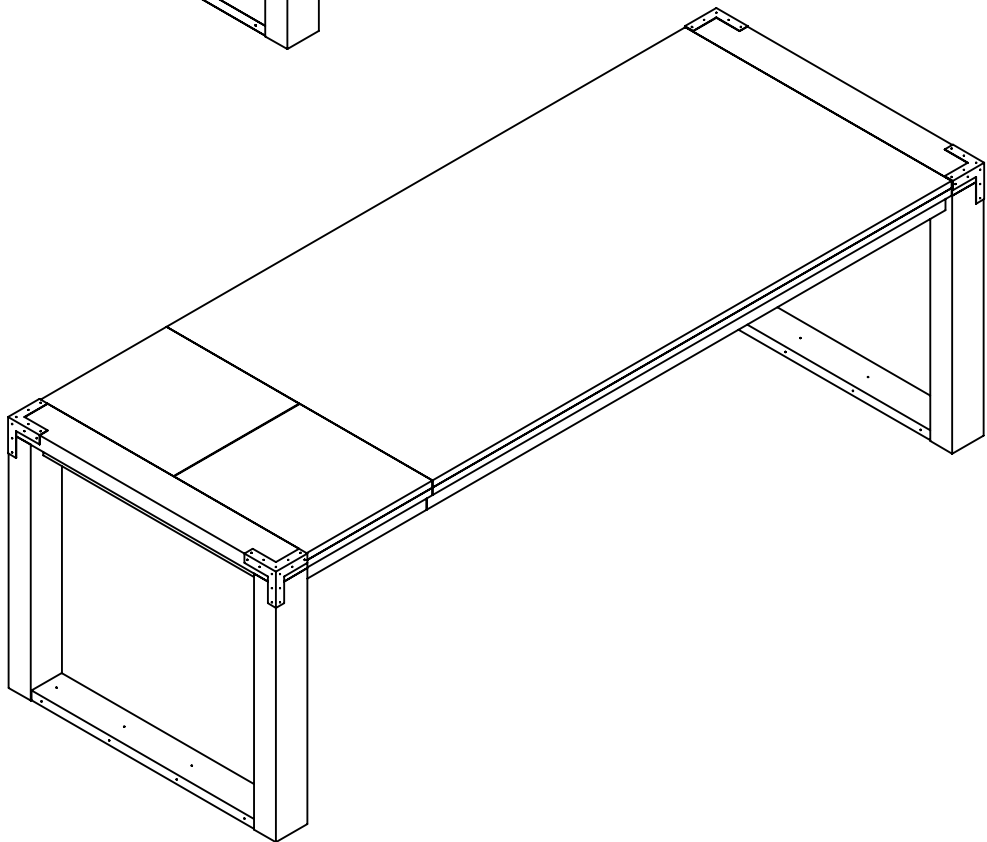
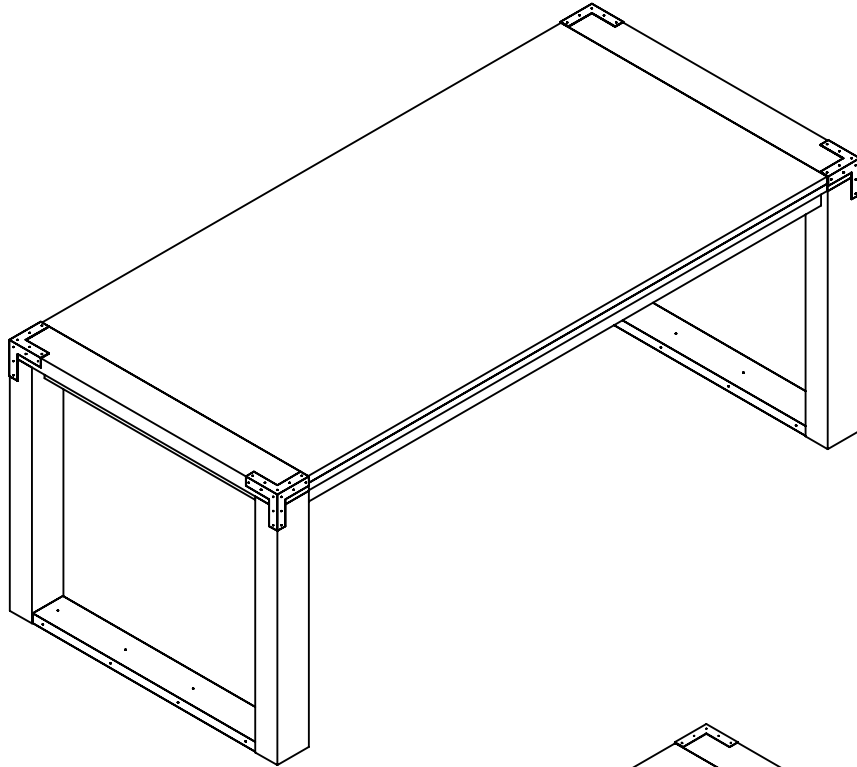
DO NOT TIGHTEN BOLT COMPLETELY



BE SURE TO CHECK ALL BOLTS SECURELY
TIGHTENED PRIOR USING THIS CHAIR



Boraam Industries
MONTANA EXTENSION DINING TABLE
ASSEMBLY INSTRUCTIONS





PLEASE READ ME FIRST



- Have questions about assembling your item?



- Item or parts damaged?



- Missing a part?



- We're here to help!



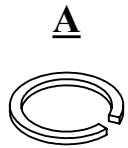
(847)949-6300 (M-F, 9am-5pm CST)



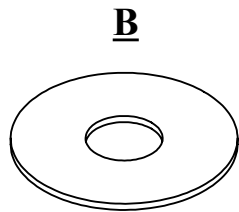
www.boraamindustries.com



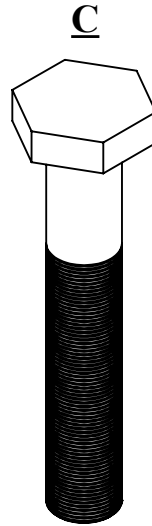
customerservice@boraamindustries.com



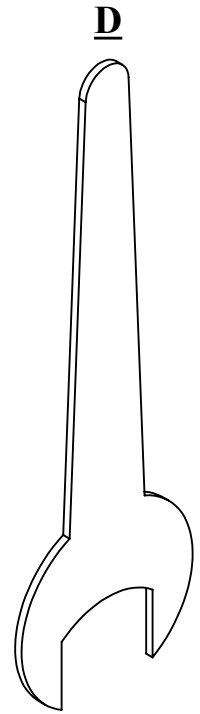
12PCS
M10*10



12PCS
M10*30

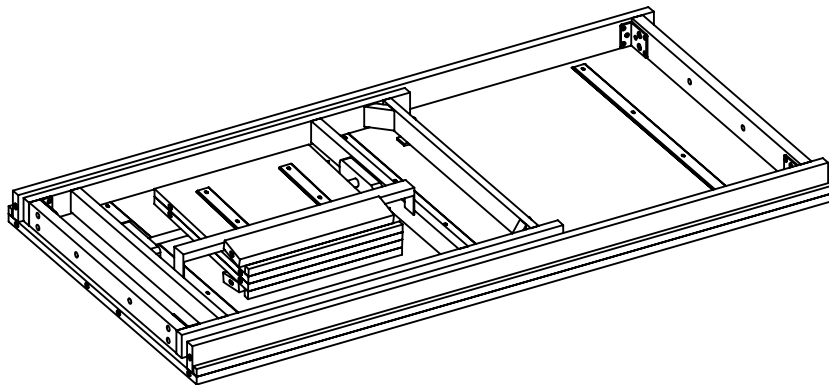


12PCS
M10*60

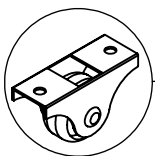
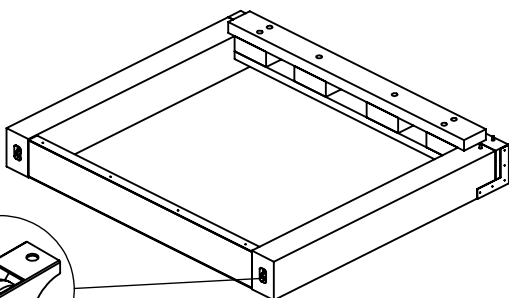


1PC
Allen Wrench
M17*100

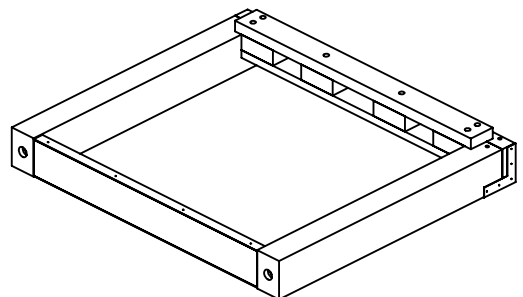
①





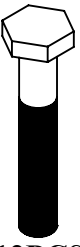
②

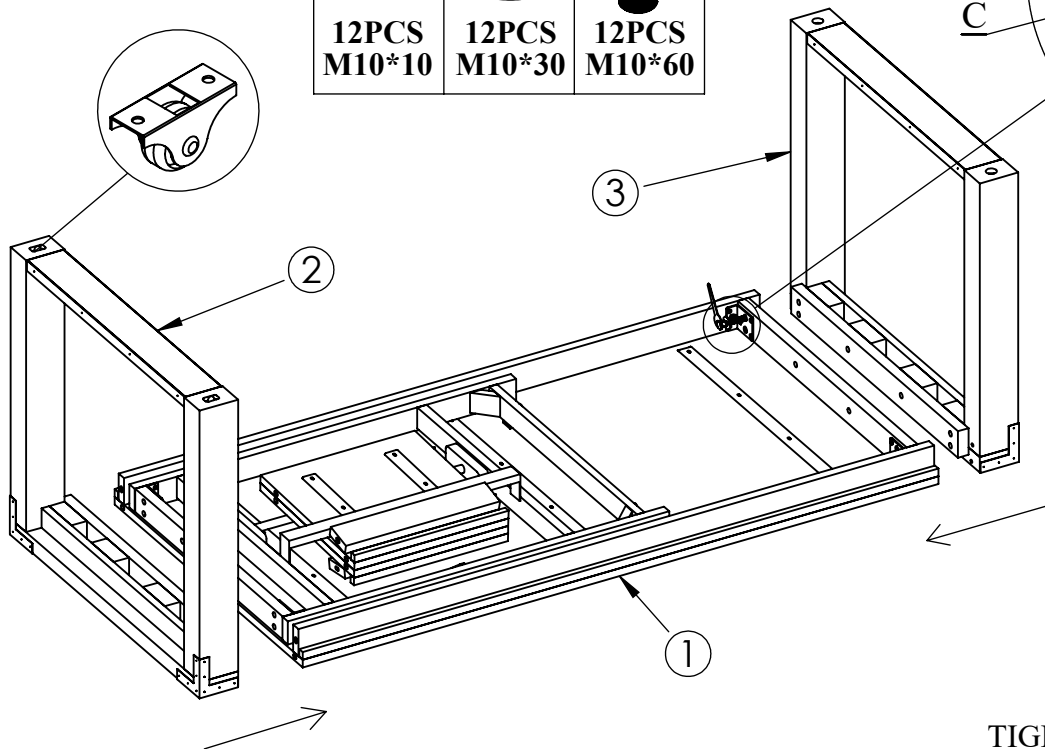
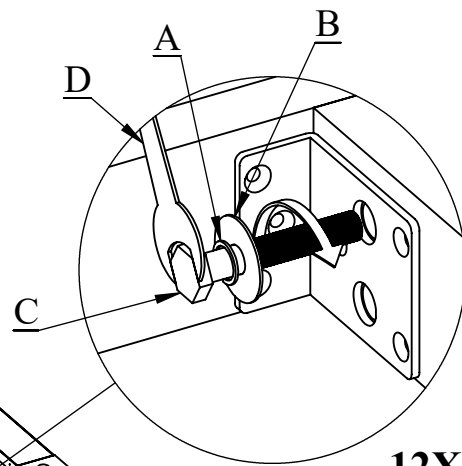


③



01

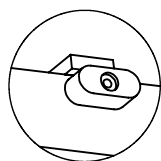
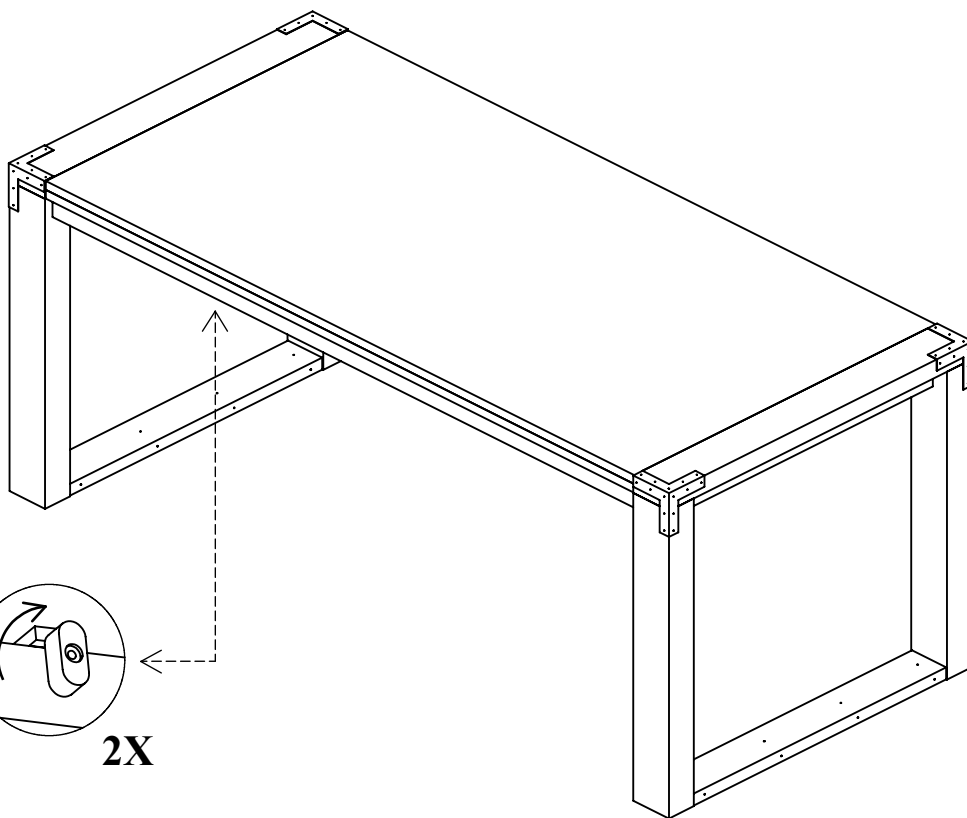
A  12PCS M10*10	B  12PCS M10*30	C  12PCS M10*60
--	--	--



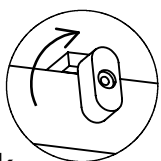
12X

TIGHTEN BOLT COMPLETELY

02

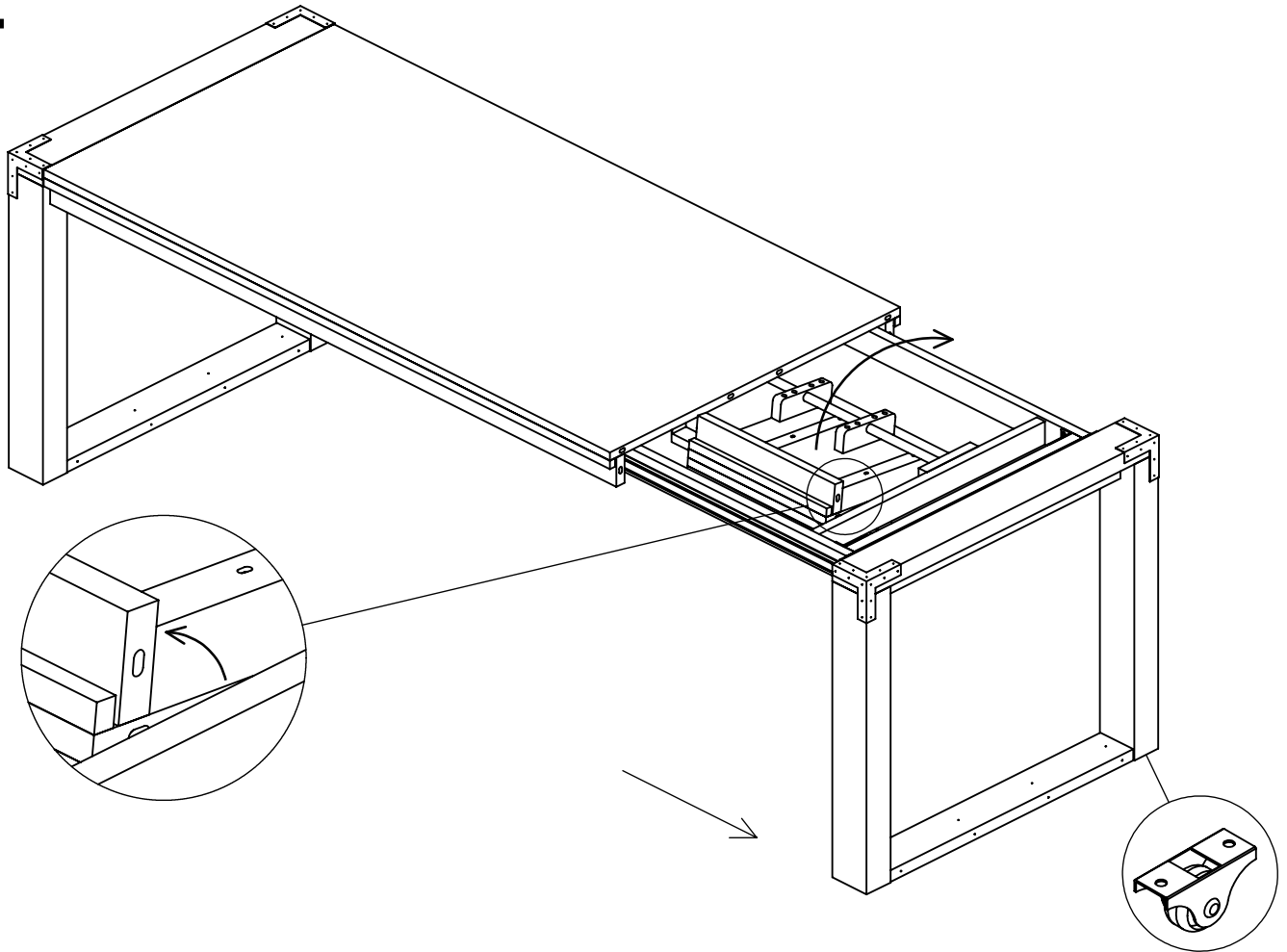


Unlock

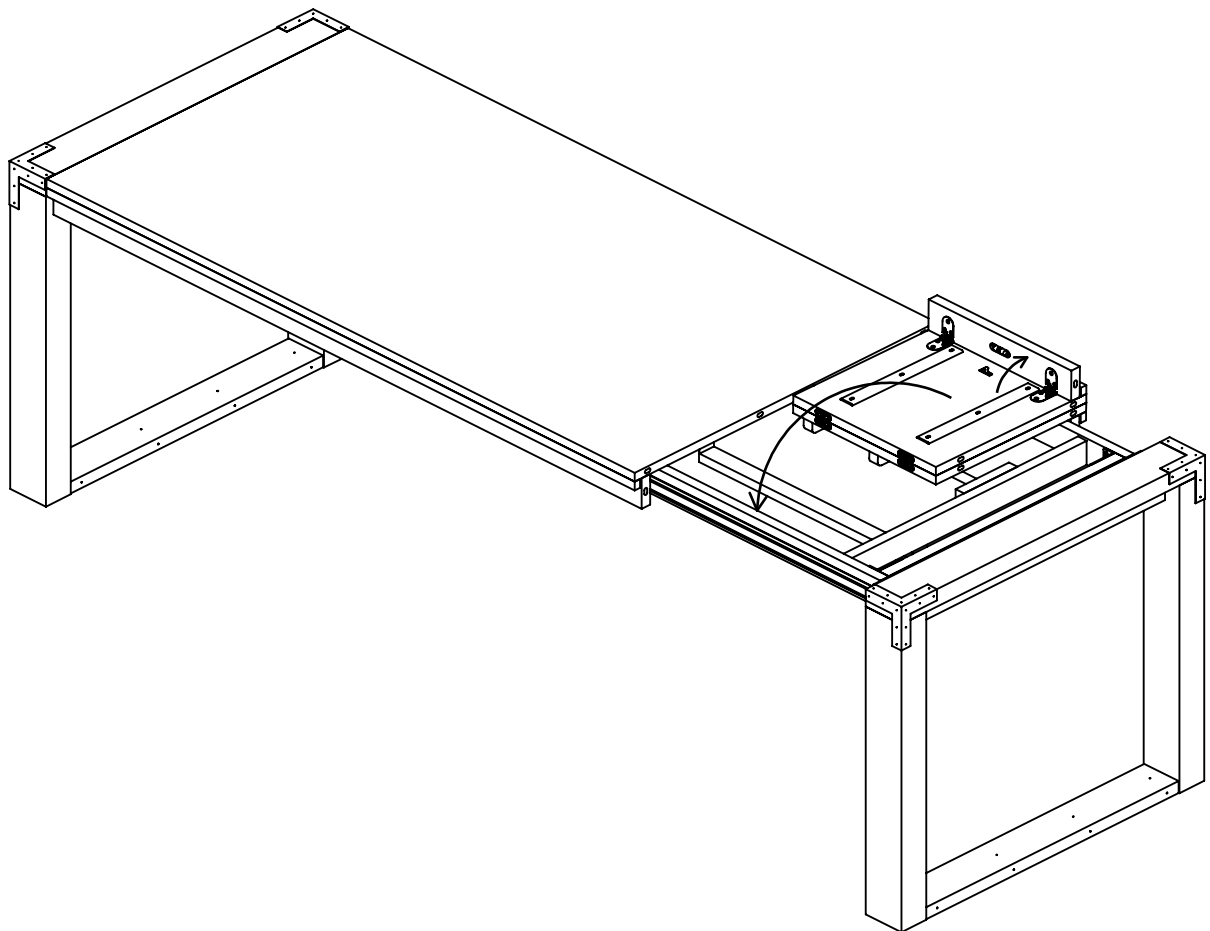


2X

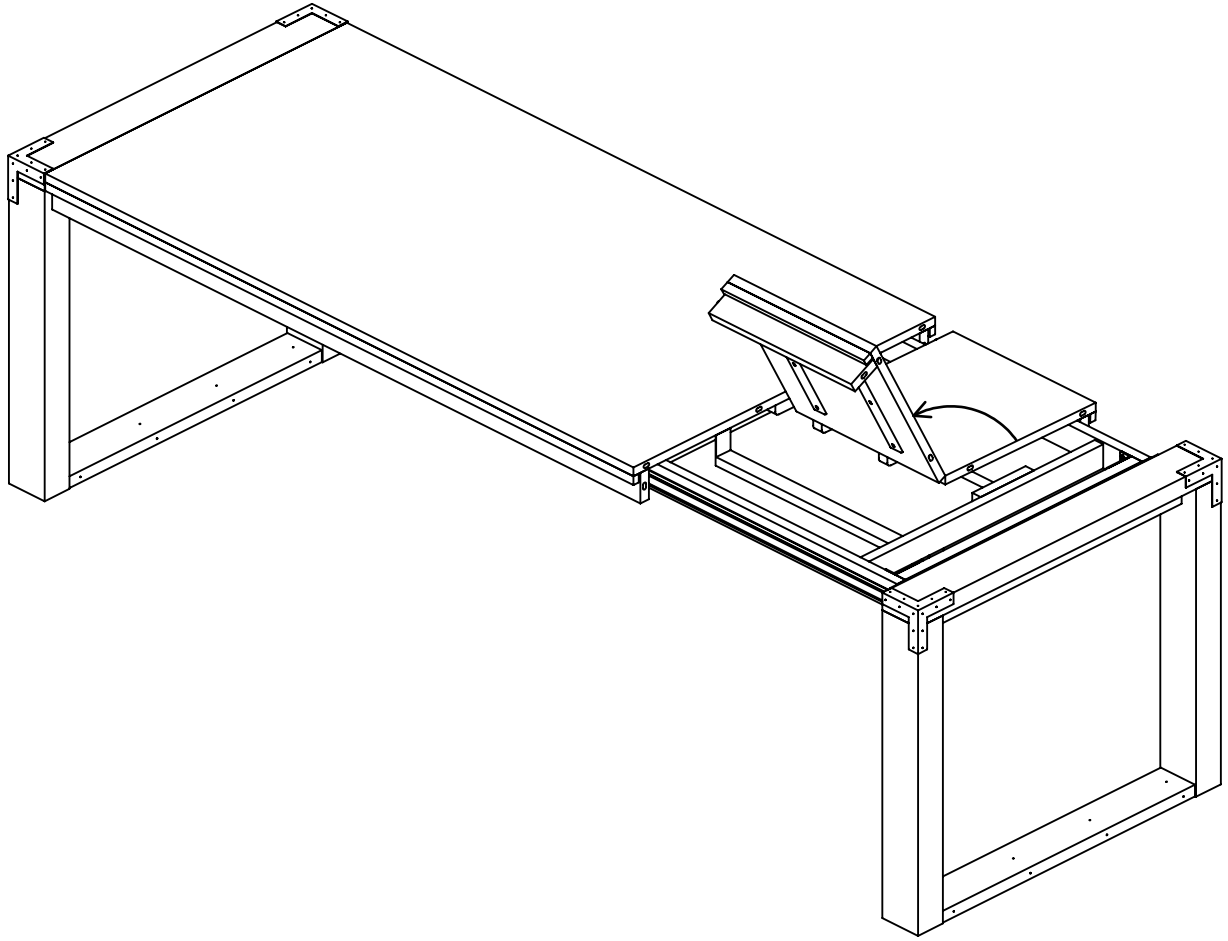
03



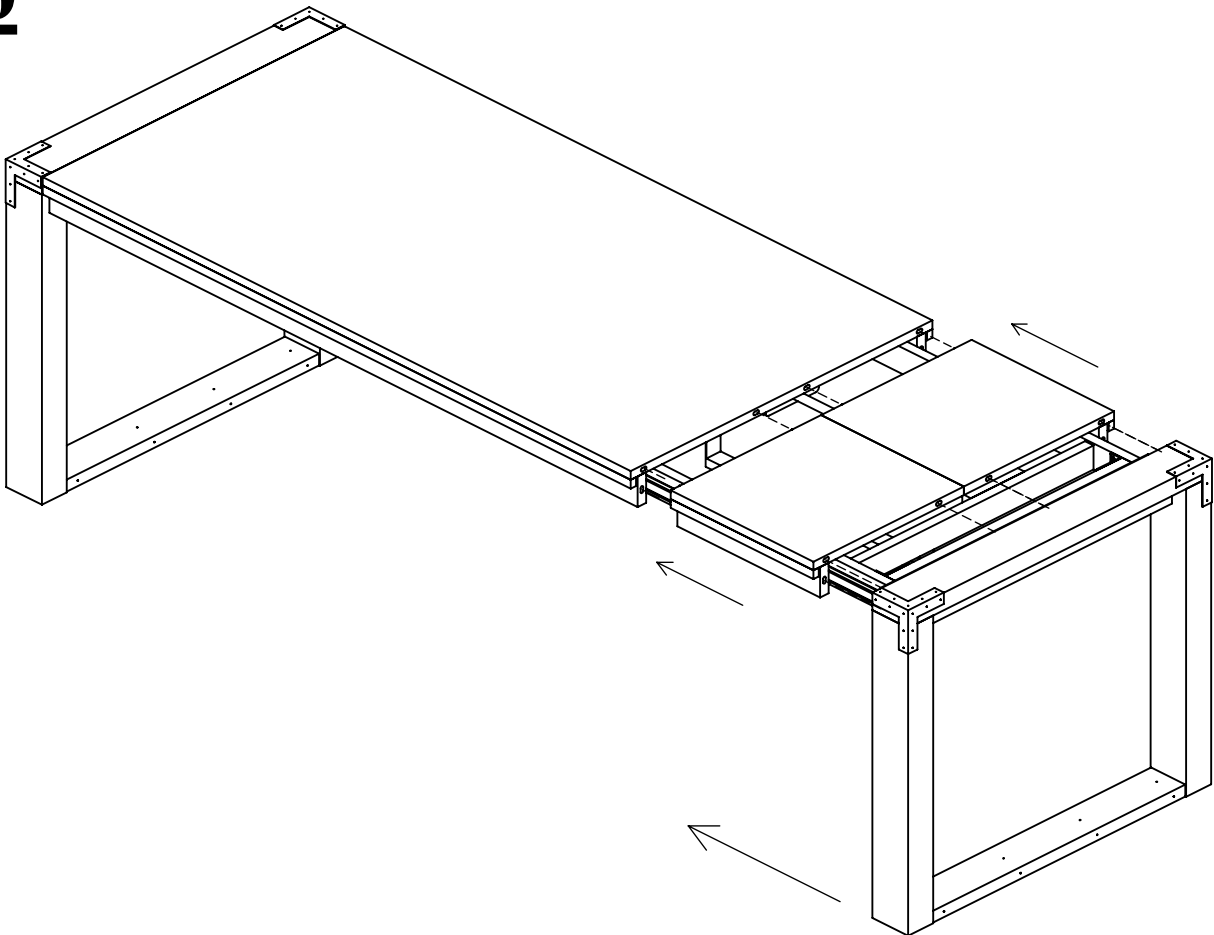
04

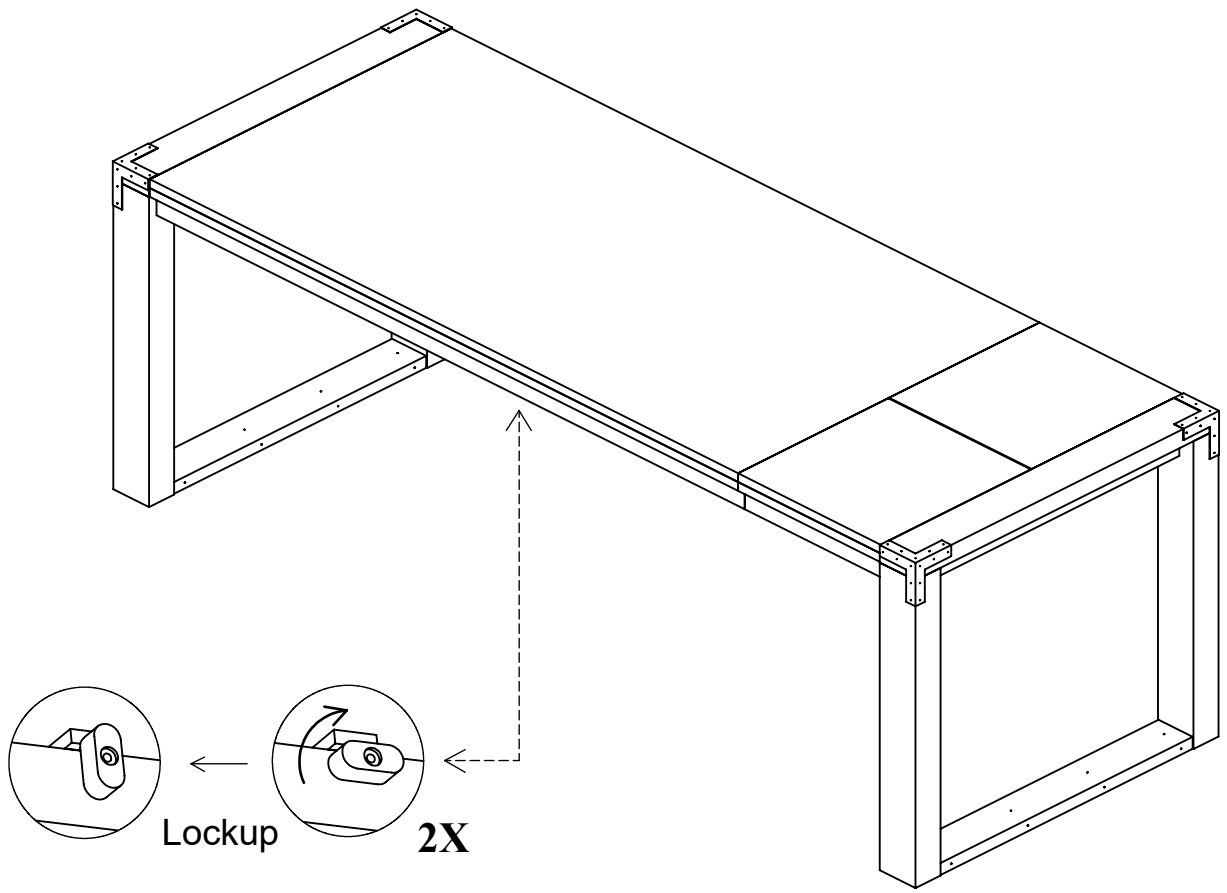


05



06





BE SURE TO CHECK ALL BOLTS SECURELY
TIGHTENED PRIOR USING THIS TABLE