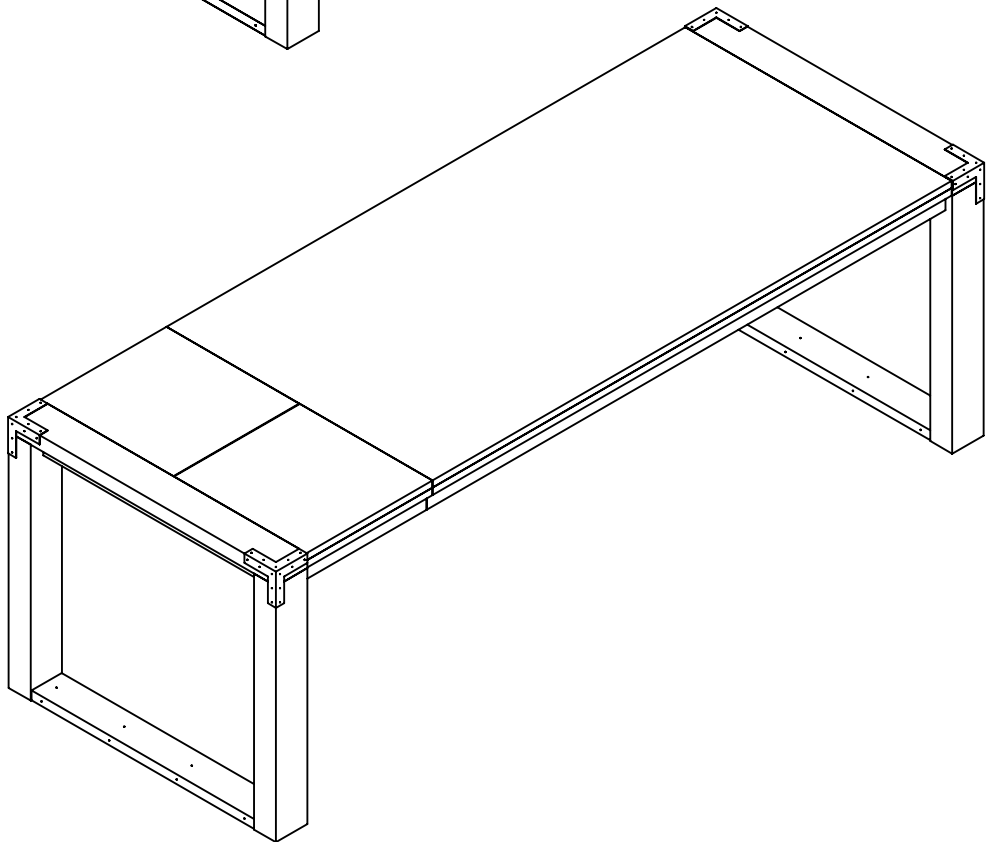
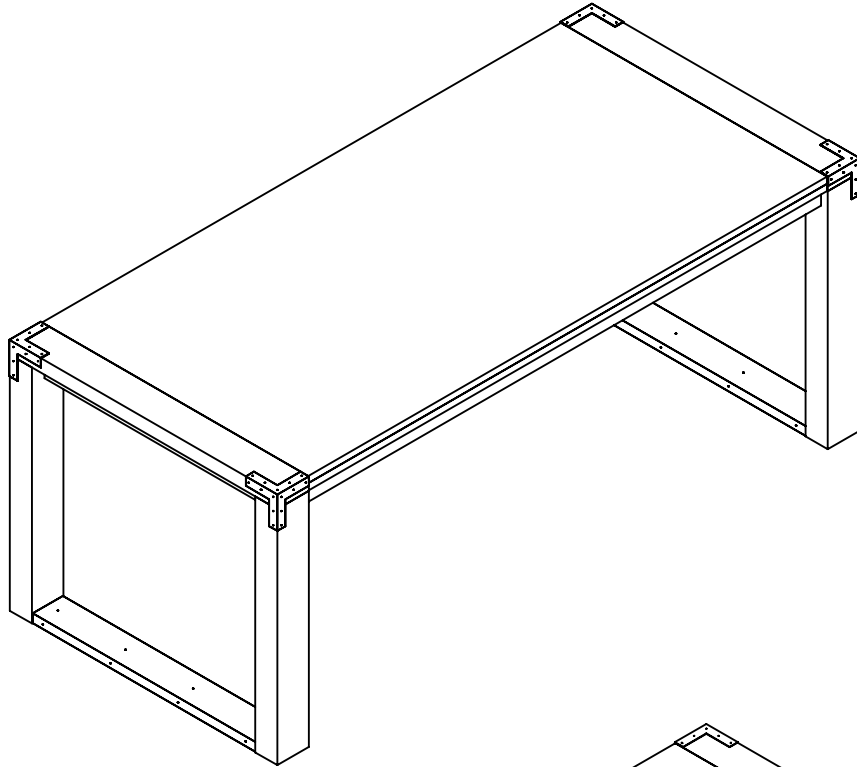




*Boraam Industries*  
**MONTANA EXTENSION DINING TABLE**  
ASSEMBLY INSTRUCTIONS





**PLEASE READ ME FIRST**



- Have questions about assembling your item?



- Item or parts damaged?



- Missing a part?



- We're here to help!



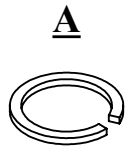
(847)949-6300 (M-F, 9am-5pm CST)



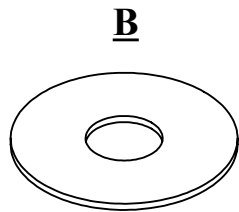
[www.boraamindustries.com](http://www.boraamindustries.com)



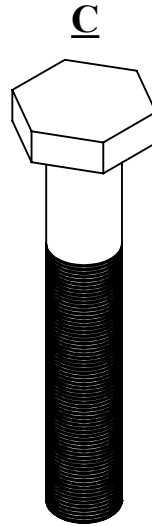
[customerservice@boraamindustries.com](mailto:customerservice@boraamindustries.com)



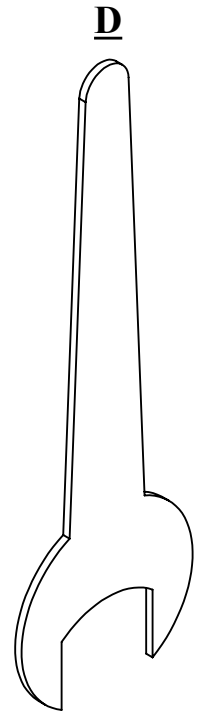
**12PCS**  
**M10\*10**



**12PCS**  
**M10\*30**

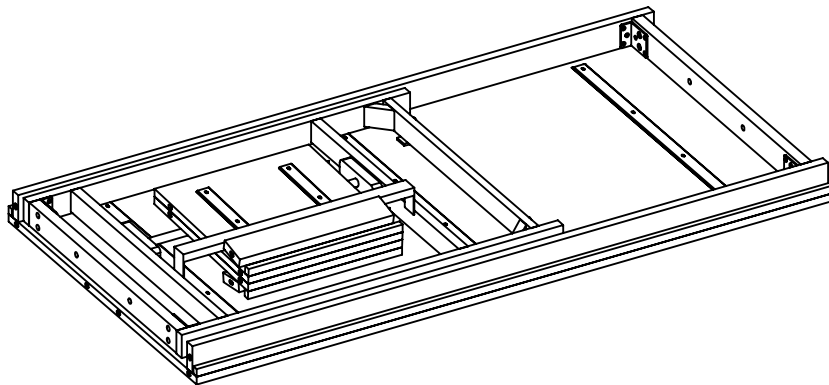


**12PCS**  
**M10\*60**

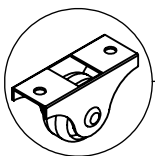
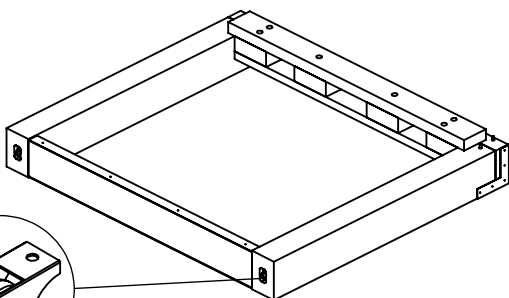


**1PC**  
**Allen Wrench**  
**M17\*100**

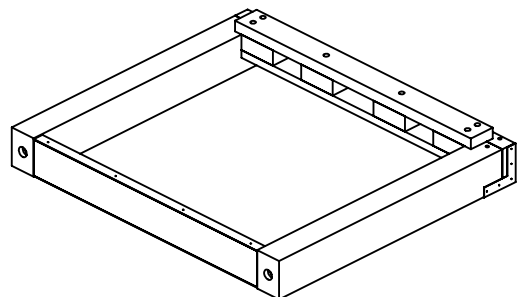
①



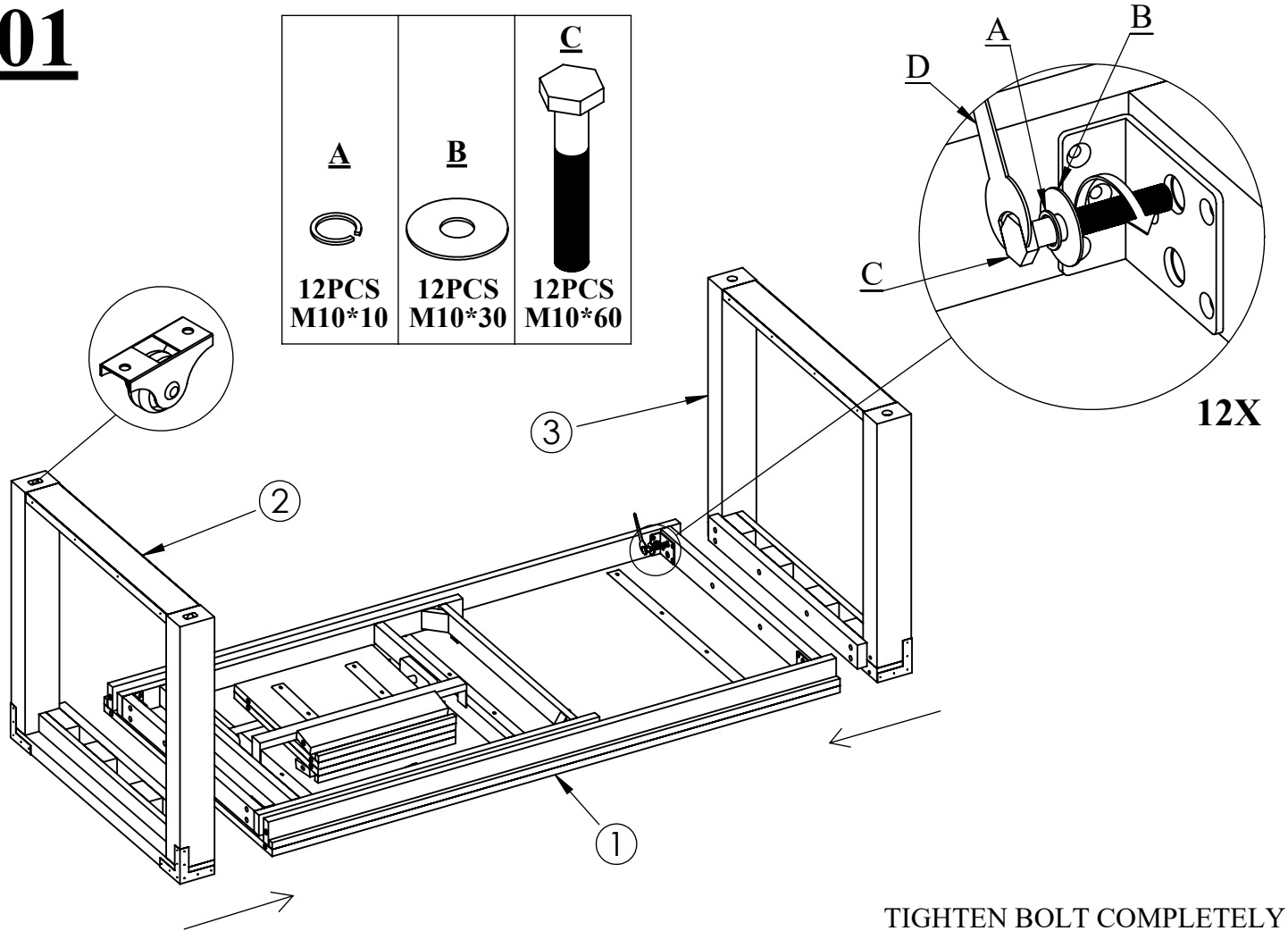
②



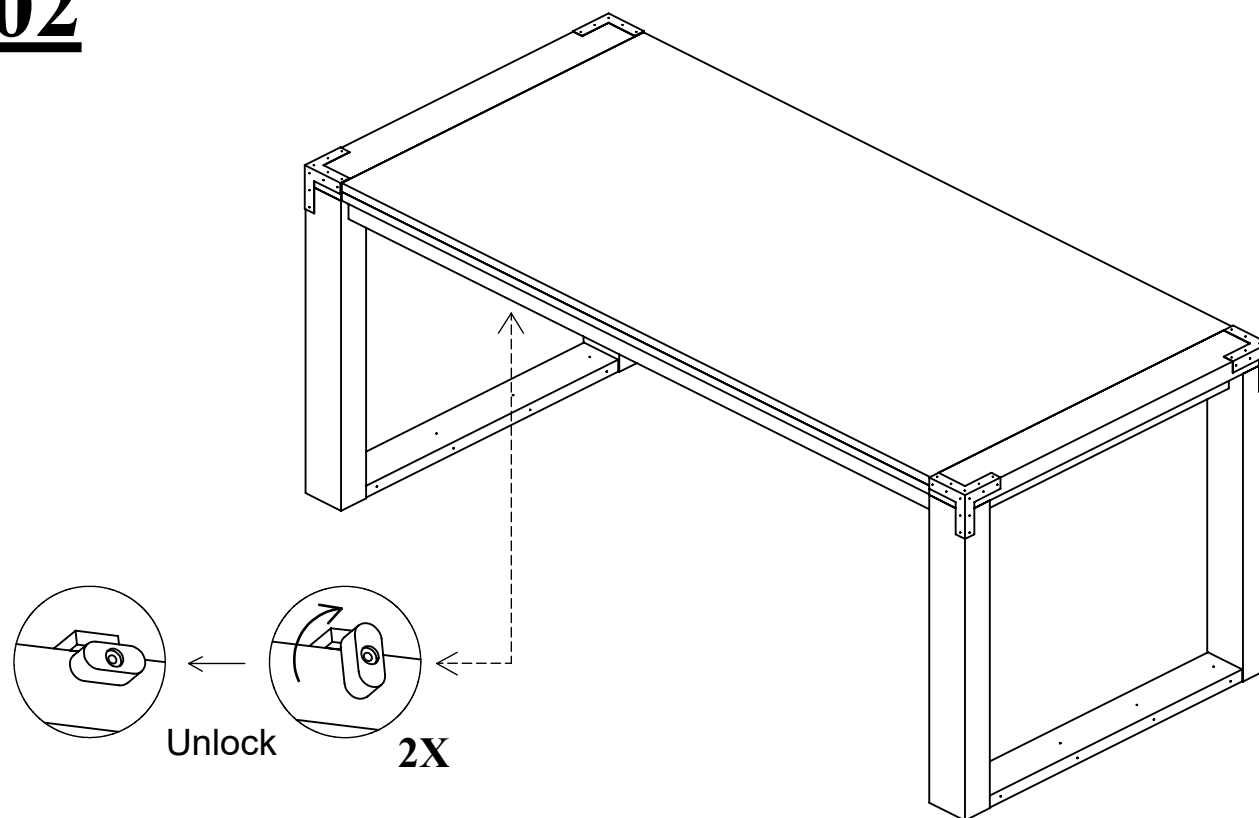
③



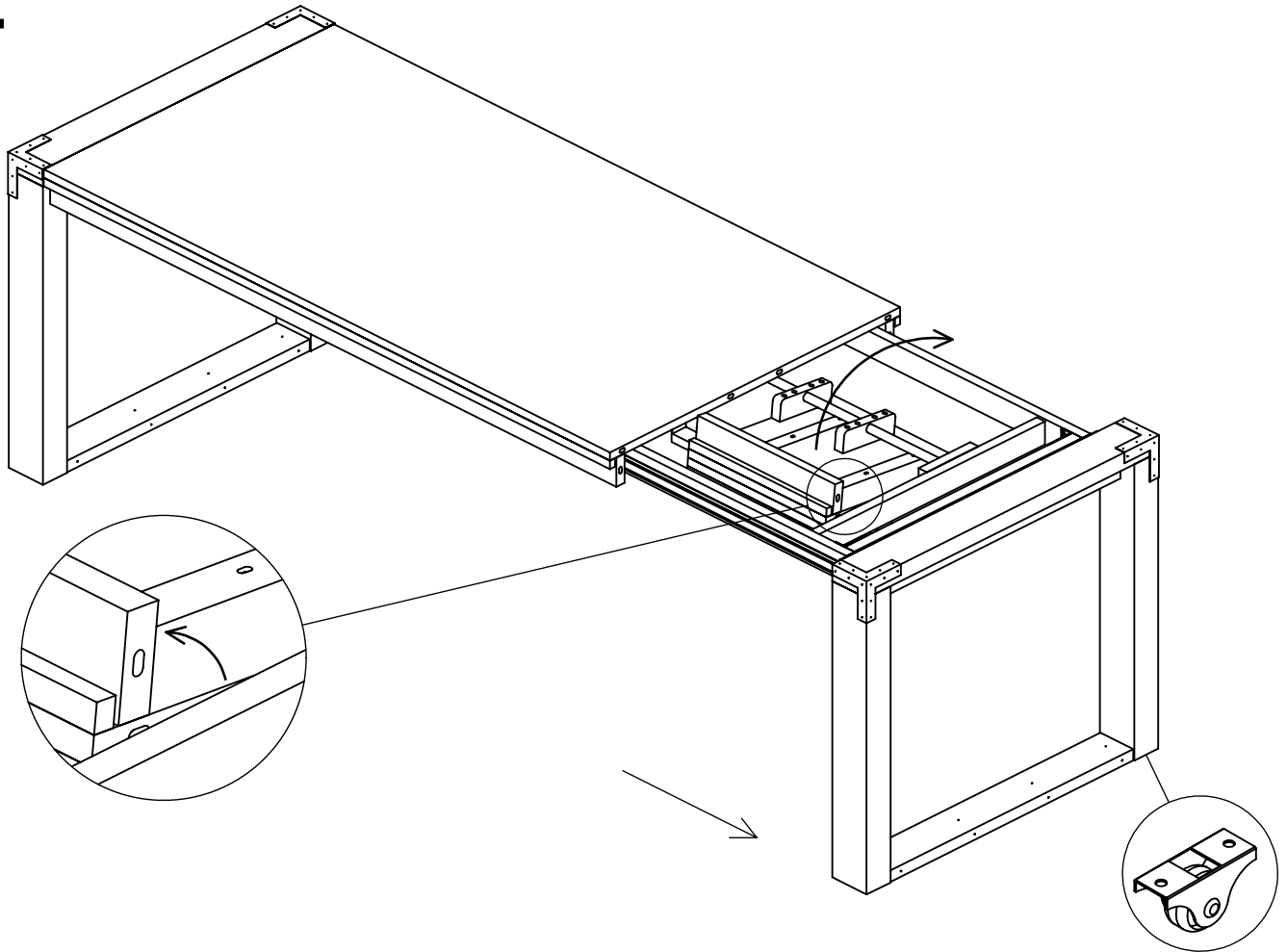
# 01



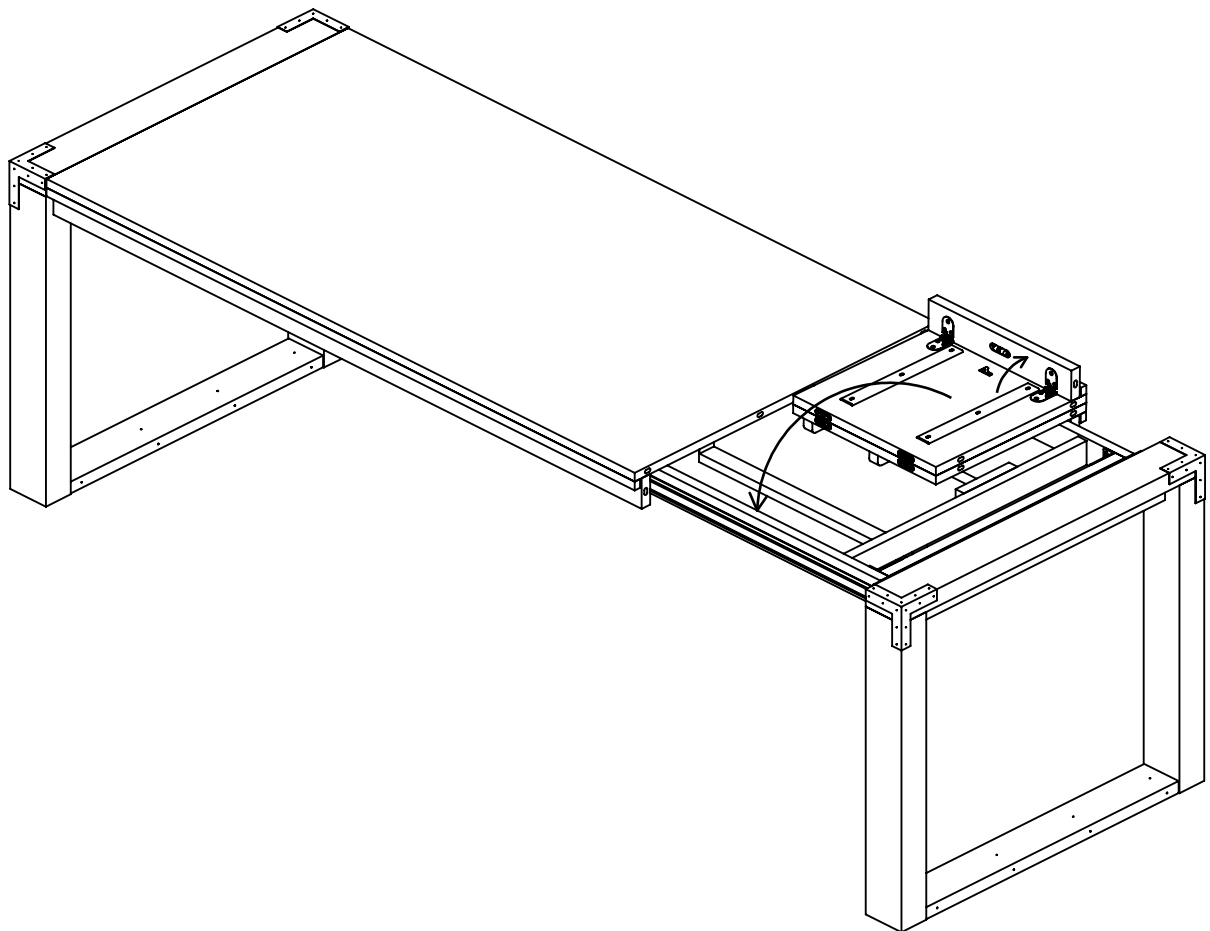
# 02



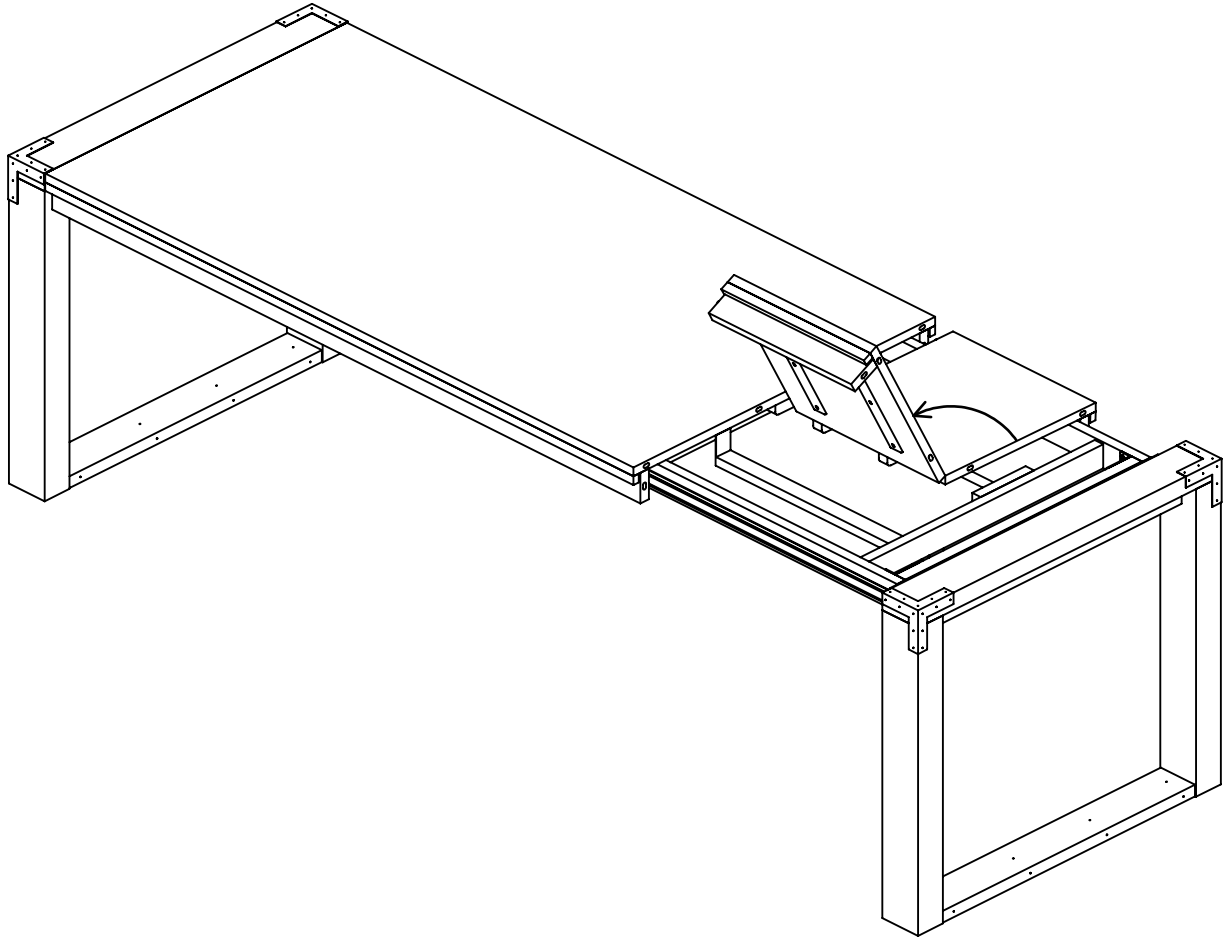
**03**



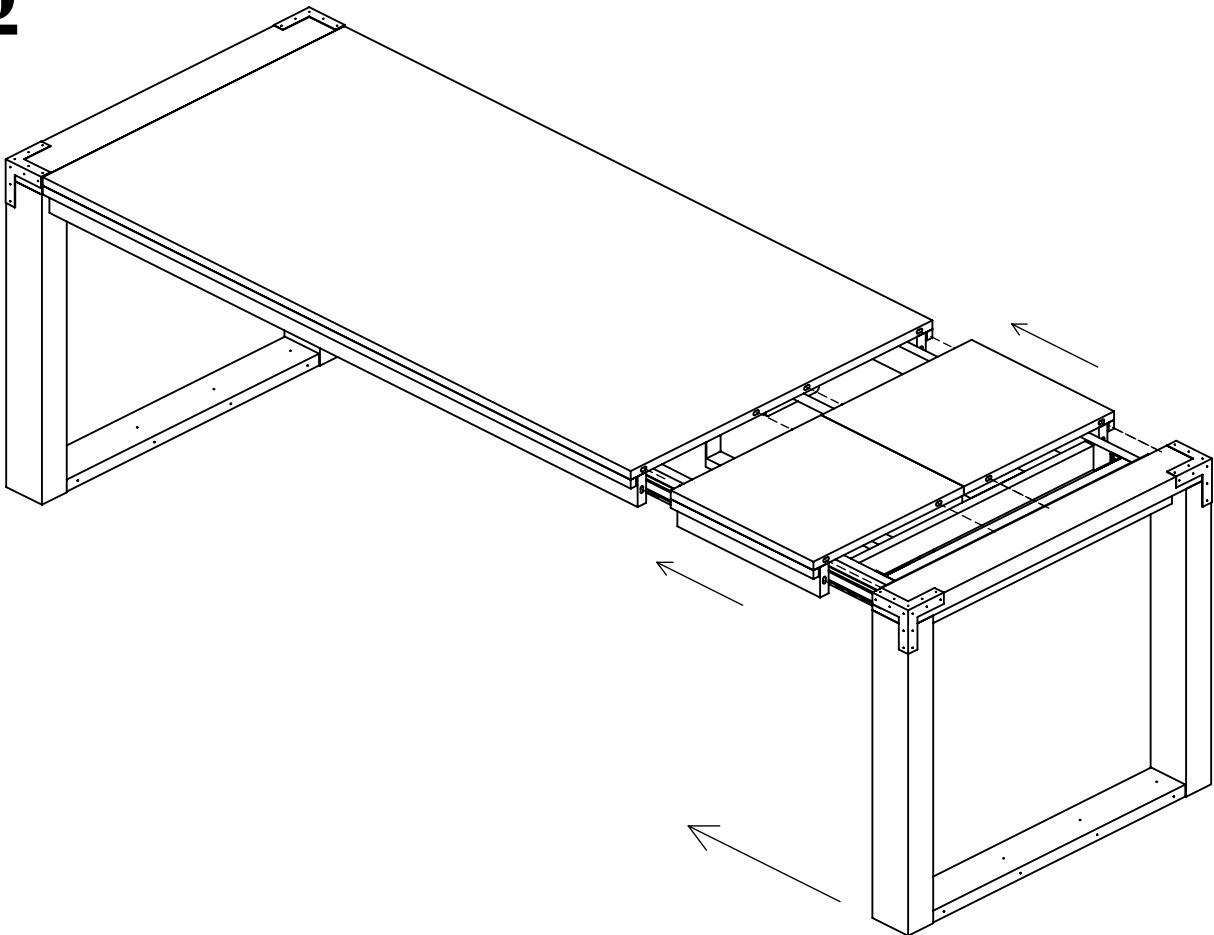
**04**

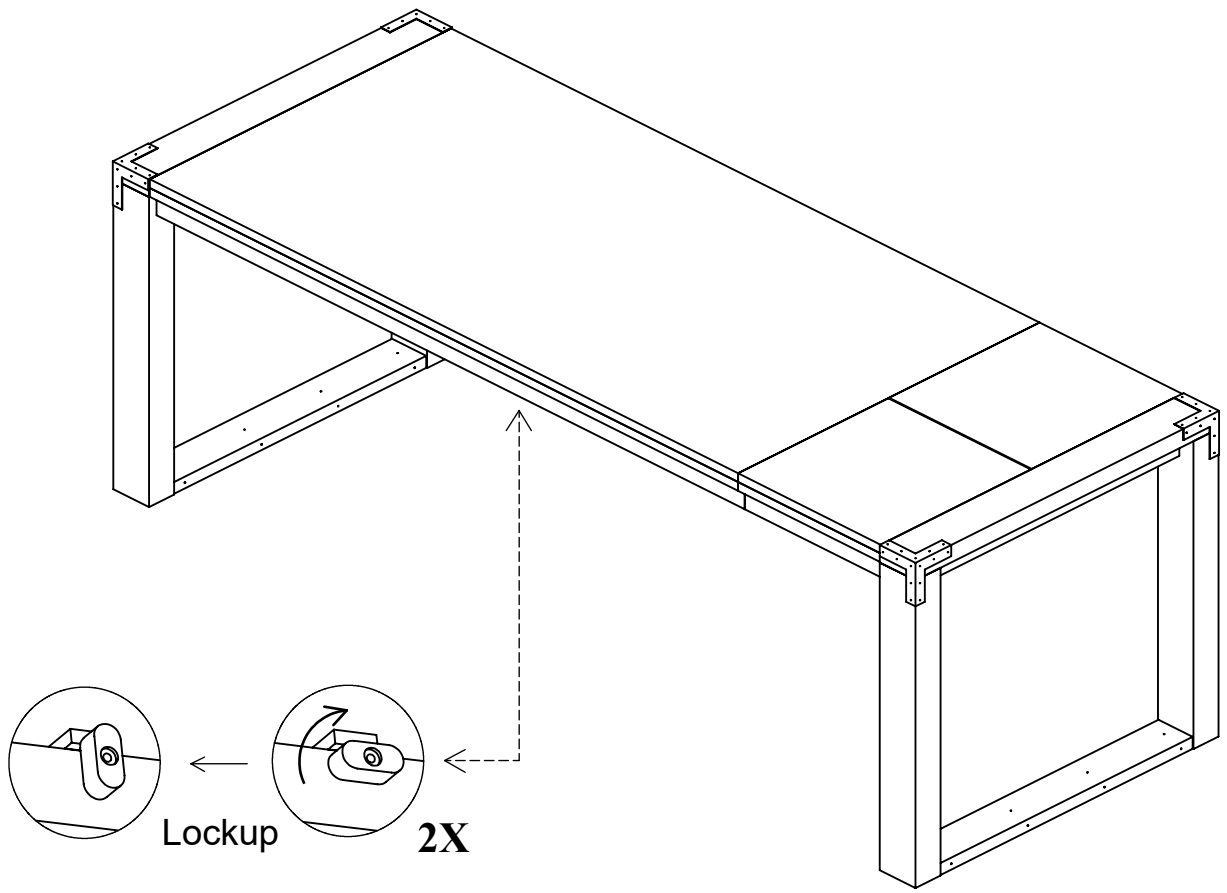


**05**



**06**





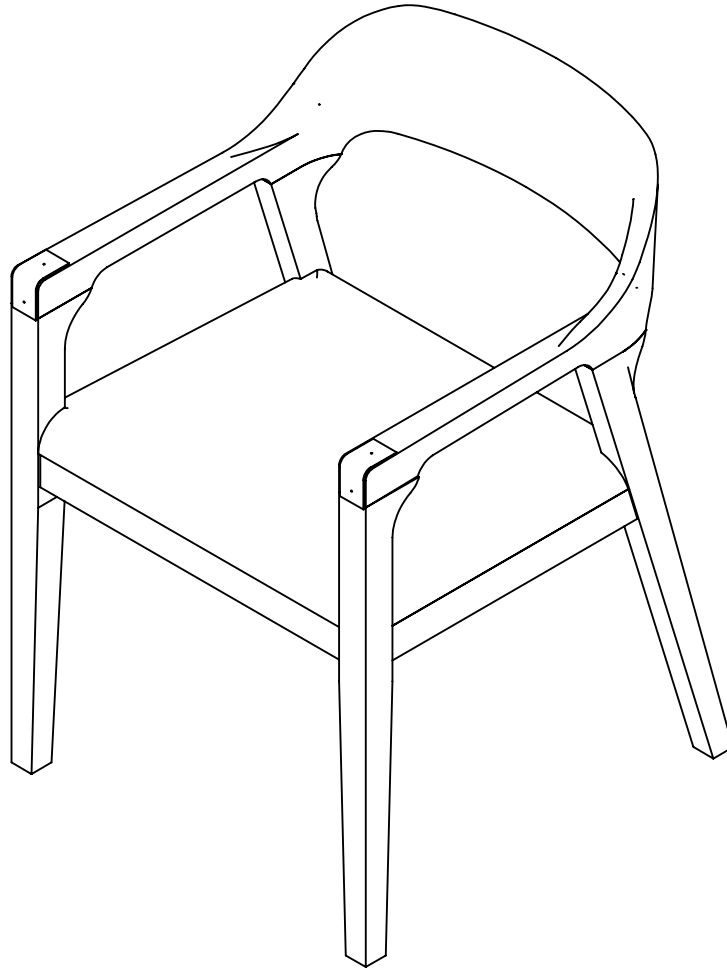
BE SURE TO CHECK ALL BOLTS SECURELY  
TIGHTENED PRIOR USING THIS TABLE



# Boraam Industries

ASSEMBLY INSTRUCTIONS

**SKU: 77517 | MONTANA DINING ARM CHAIR**



Have questions about assembling your item?



Items or parts damaged?



Missing a part?

**We're here to help! (Monday-Friday from 9am-5pm CST)**



847-949-6300  
877-267-2261

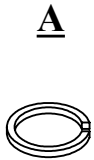


customerservice@  
boraamindustries.com

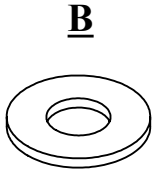


www.boraamindustries.com

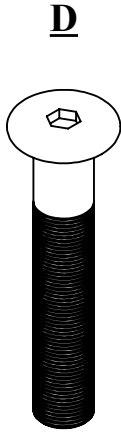




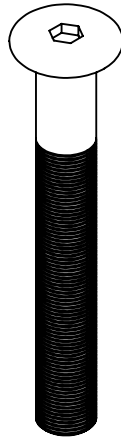
**9PCS**  
**M8\*10**



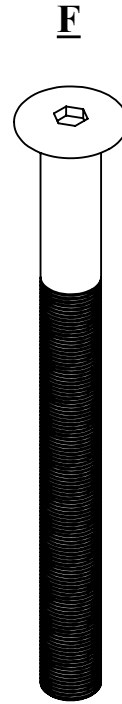
**9PCS**  
**M8\*19**



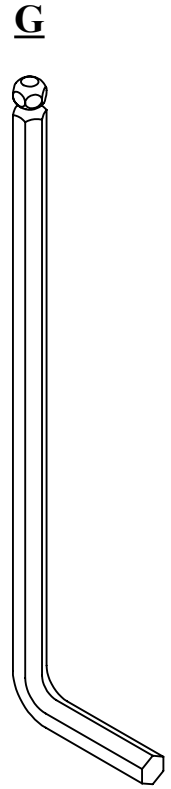
**7PCS**  
**M8\*45**



**4PCS**  
**M8\*60**

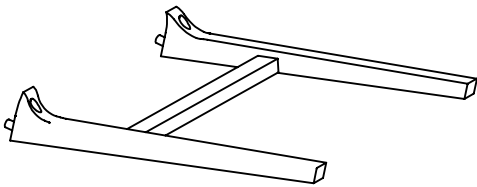


**2PCS**  
**M8\*95**

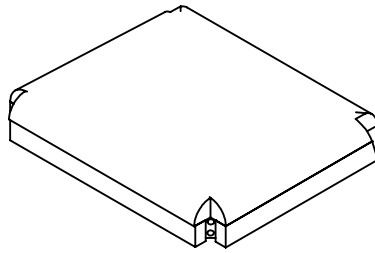


**1PC**  
**Allen Wrench**  
**M4\*110**

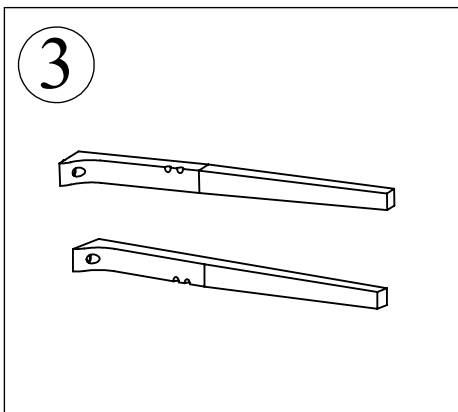
1



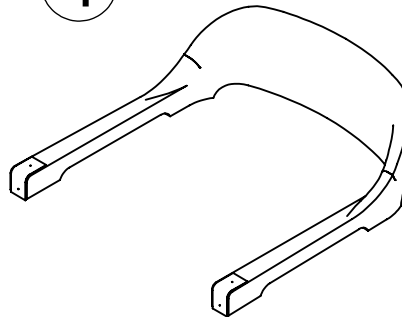
2






3

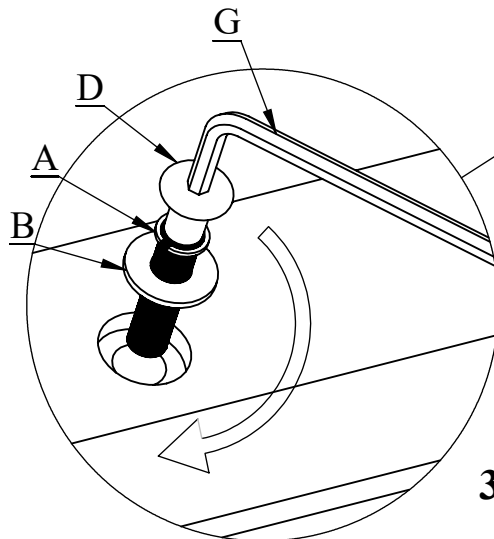
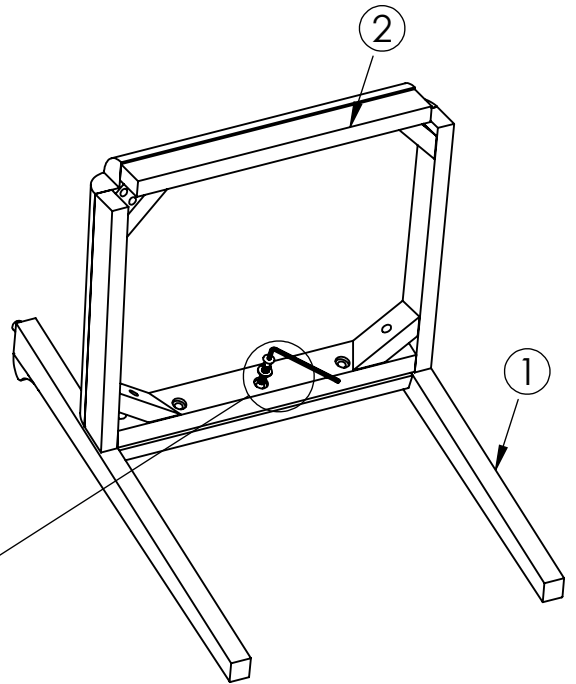


4



# 01




<b>A</b> 	<b>B</b> 	<b>D</b> 
<b>3PCS</b> <b>M8*10</b>	<b>3PCS</b> <b>M8*19</b>	<b>3PCS</b> <b>M8*45</b>

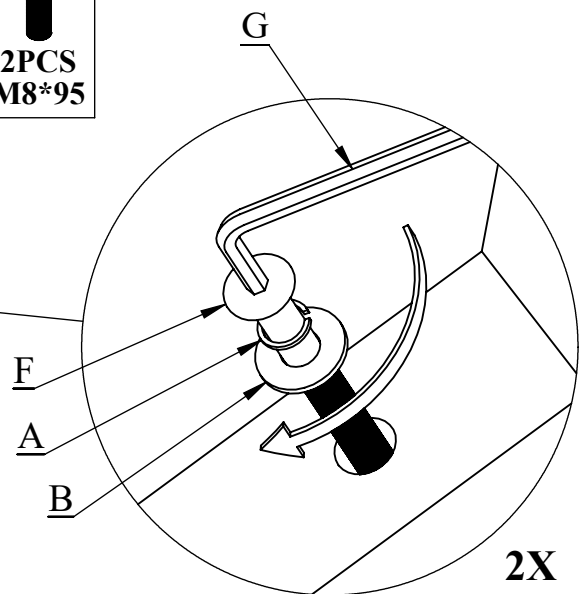
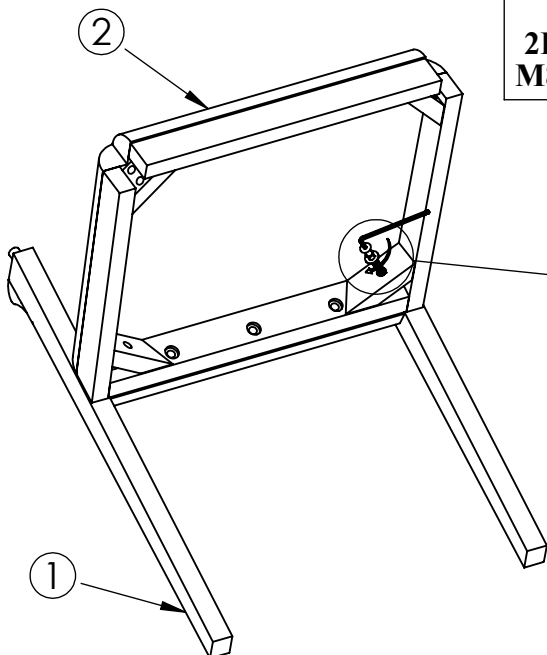


**3X**

DO NOT TIGHTEN BOLT COMPLETELY

# 02




<b>A</b> 	<b>B</b> 	<b>F</b> 
<b>2PCS</b> <b>M8*10</b>	<b>2PCS</b> <b>M8*19</b>	<b>2PCS</b> <b>M8*95</b>

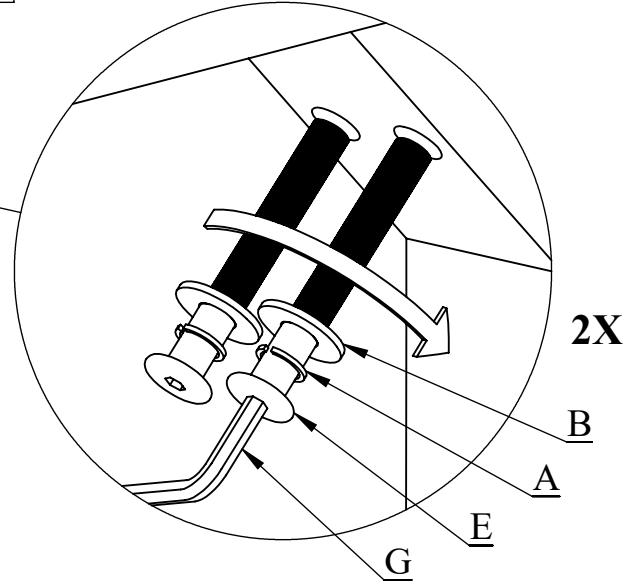
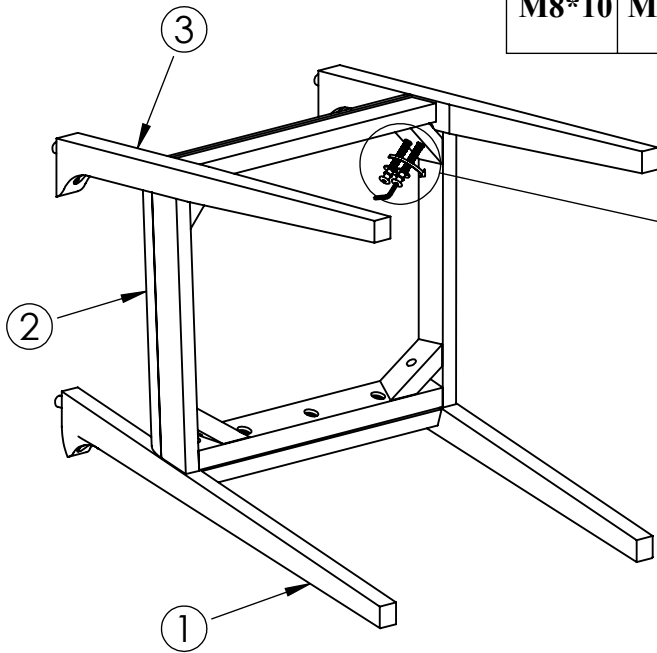


**2X**

DO NOT TIGHTEN BOLT COMPLETELY


# 03

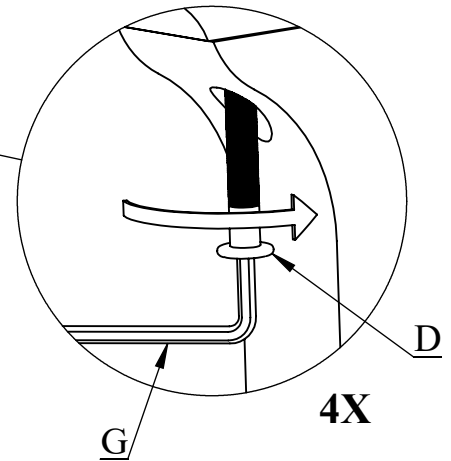
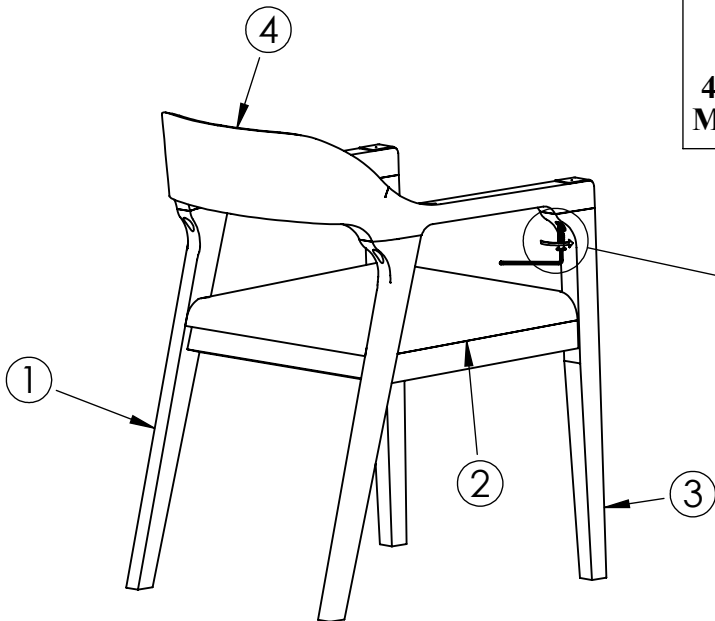
<b>A</b>	<b>B</b>	<b>E</b>
		
<b>4PCS</b> <b>M8*10</b>	<b>4PCS</b> <b>M8*19</b>	<b>4PCS</b> <b>M8*60</b>



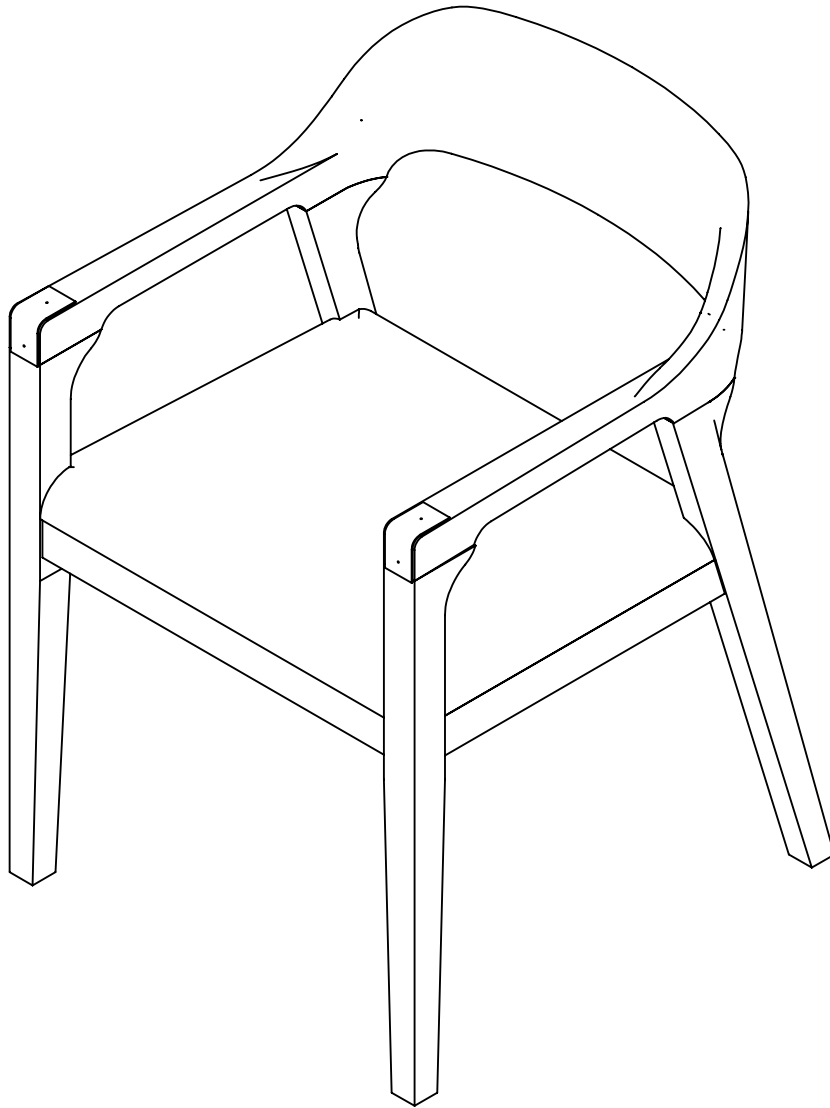
DO NOT TIGHTEN BOLT COMPLETELY

# 04

<b>D</b>

<b>4PCS</b> <b>M8*45</b>



DO NOT TIGHTEN BOLT COMPLETELY



BE SURE TO CHECK ALL BOLTS SECURELY  
TIGHTENED PRIOR USING THIS CHAIR

847-949-6300 | 877-267-2261 | [customerservice@boraamindustries.com](mailto:customerservice@boraamindustries.com)

Page 5 of 5