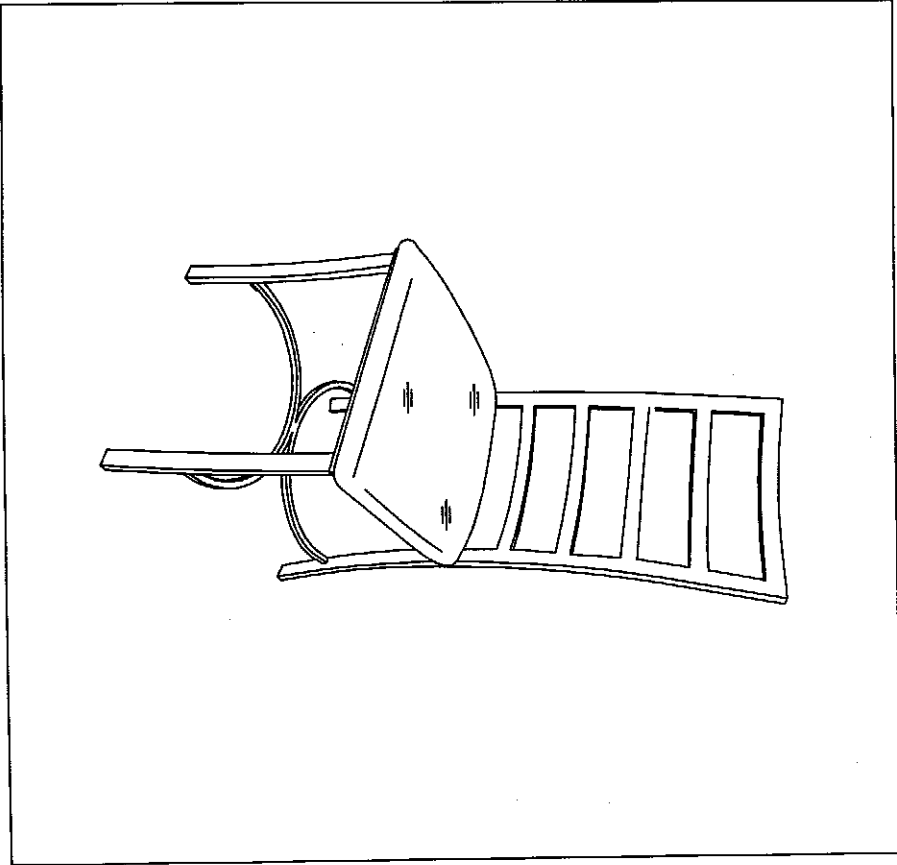


# Assembly Instructions

77014



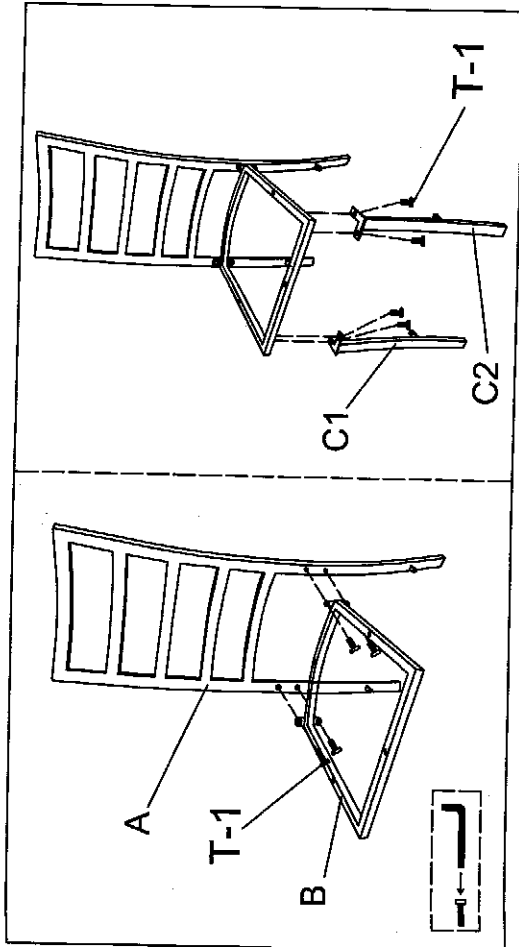
# Parts List

Table	Picture	Qty
A		1
B		1
C1		1
C2		1
D		1
E		1
T-1		12
T-2		4
T-3		1

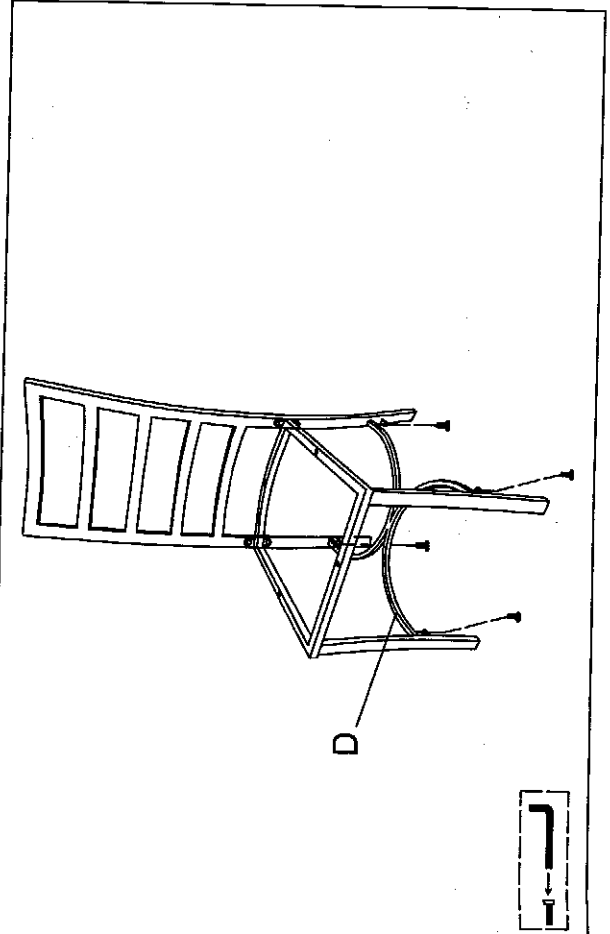
# Assembly Steps

ATTENTION:  
DO NOT COMPLETELY TIGHTEN ANY SCREWS UNTIL ALL PARTS ARE IN PLACE

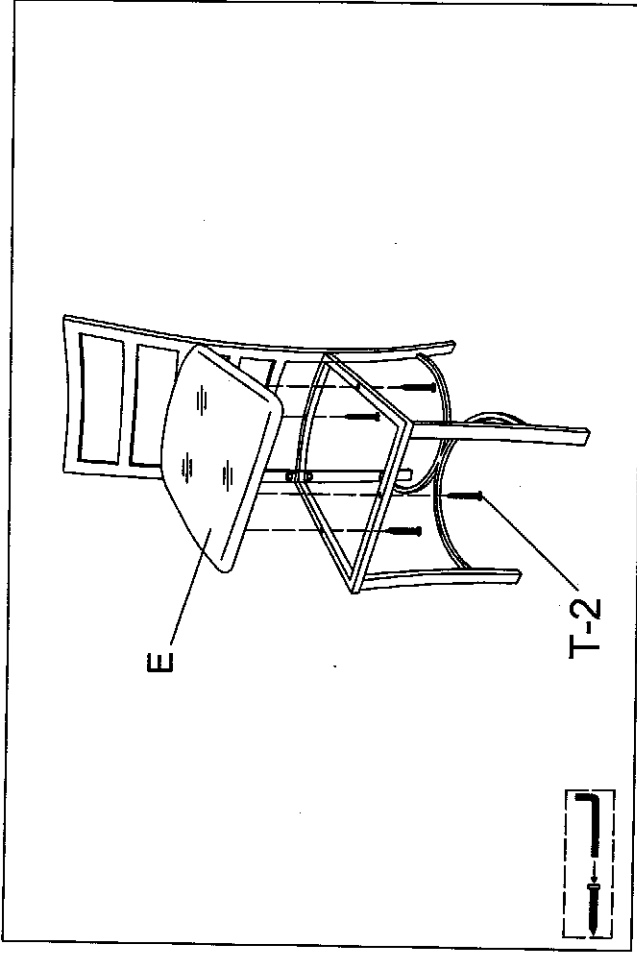
Step 1



Step 2



Step 3



Step 4

