

ASSEMBLY INSTRUCTIONS

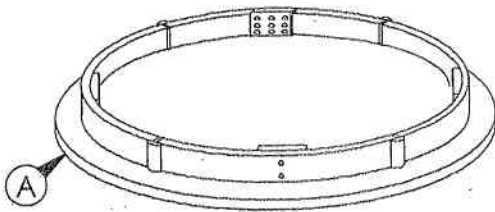
MODEL: ROUND TABLE

Read this instruction carefully. Refer hardware and furniture parts list for guidance. Be sure all parts are complete, before assembling. Place all wooden furniture part on a clean and flat soft surface to prevent scratches. Refer steps provided as assembling guide.

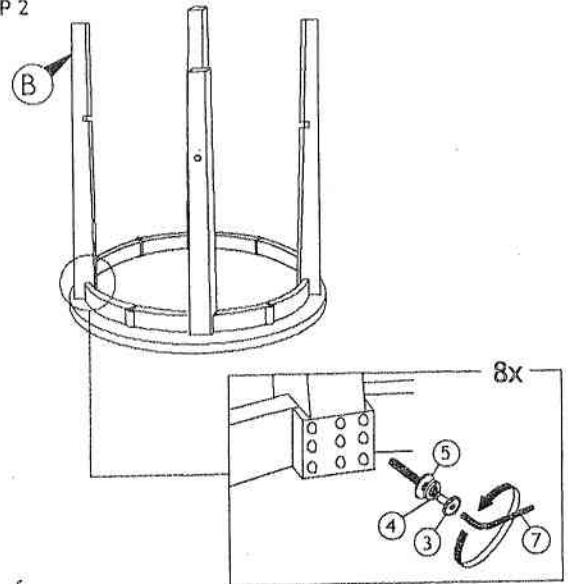
PART LIST		
ITEM	DESCRIPTION	QTY
A	Table Top with Apron	1 PC
B	Table Leg	4 PCS
C	Crossbar	2 PCS

HARDWARE LIST		
ITEM	DESCRIPTION	QTY
1	JCBC Screw M6 x 25MM 	1 PC
2	JCBC Screw M6 x 40MM 	4 PCS
3	JCBC Screw M6 x 60MM 	8 PCS
4	Spring Washer M6 x 13MM 	12 PCS
5	Flat Washer M6 x 16.5mm 	8 PCS
6	Wood Button 	4 PCS
7	Allen Key Small M4 x 110 	1 PC

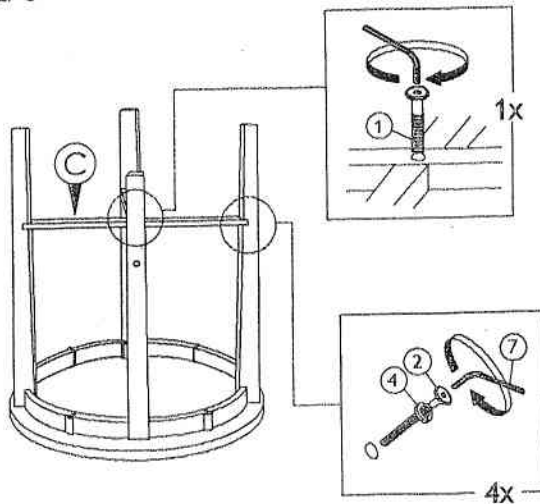
STEP 1



STEP 2



STEP 3



COMPLETED ASSEMBLY