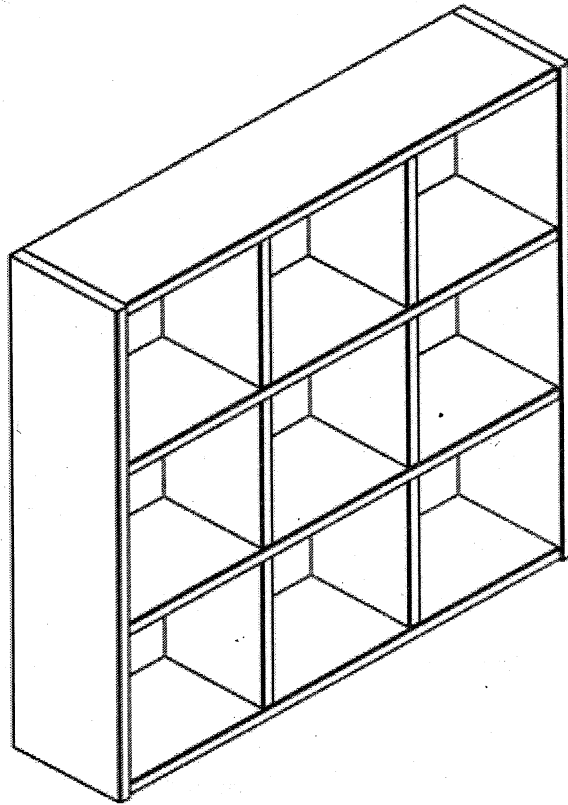




BORAAM INDUSTRIES
Assembly Instructions
TOBEY BOOKCASE



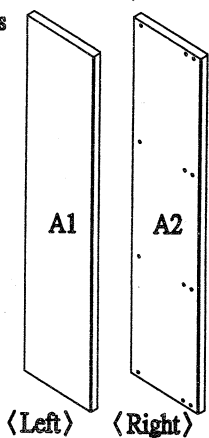
MAKE SURE ALL PARTS ARE INCLUDED PRIOR TO ASSEMBLY

TWO OR MORE PEOPLE HIGHLY RECOMMENDED FOR ASSEMBLY

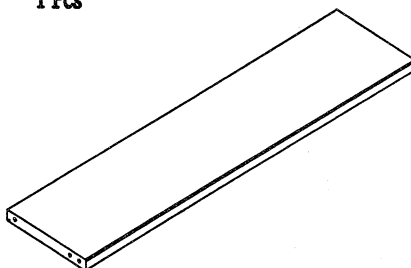
DO NOT ASSEMBLE IN THE PRESENCE OF CHILDREN

TOBEY BOOKCASE

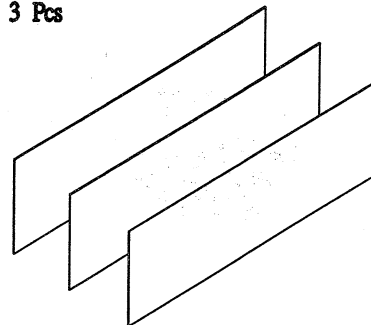
A. Side Panels
1200*280mm
2 Pcs



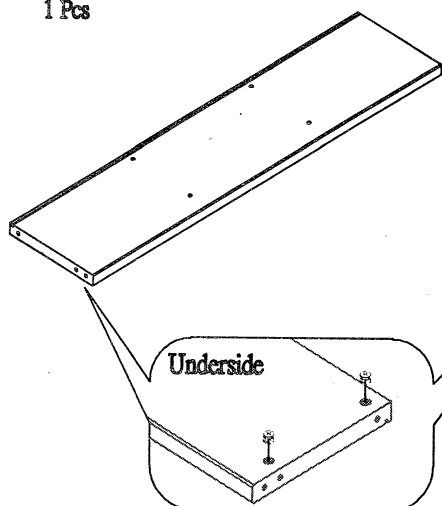
B1. Top Shelf
1140*275mm
1 Pcs



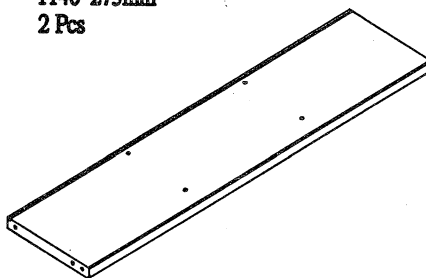
D. Back Panels
1150*370mm
3 Pcs



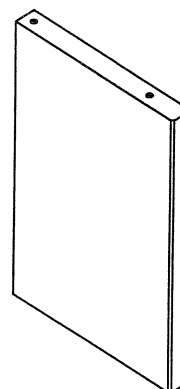
B2. Bottom Shelf
1140*275mm
1 Pcs



E. Middle Shelves
1140*275mm
2 Pcs



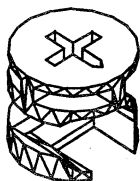
F. Dividers (Vertical)
360*260mm
6 Pcs



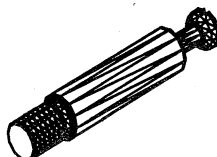
Cam holes are no the underside of the panle

C. Hardware

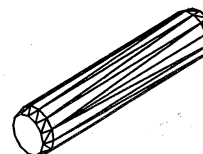
C1. Cam
30T
16 Pcs



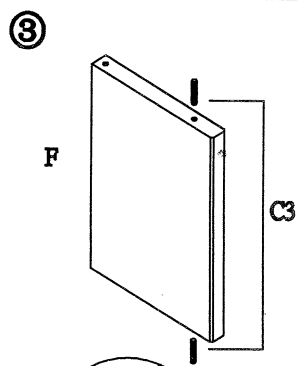
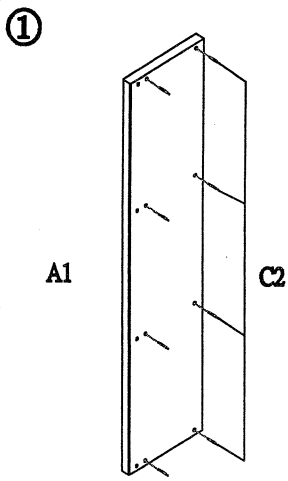
C2. Cam Bolt
30T
16 Pcs



C3. Dowel
ø8*40mm
32 Pcs



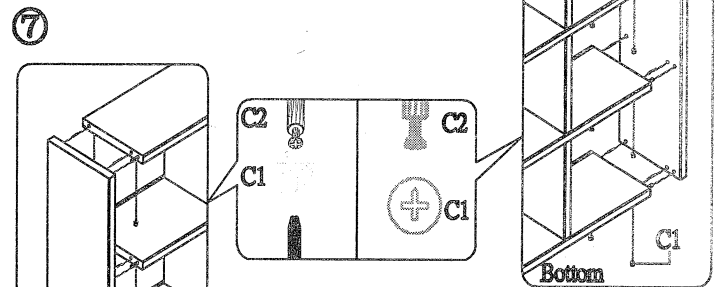
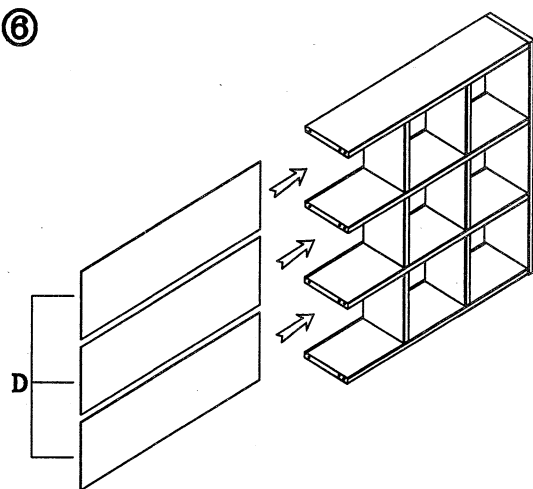
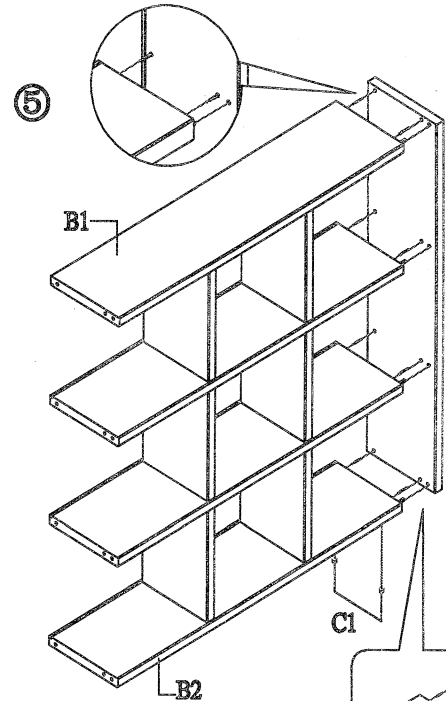
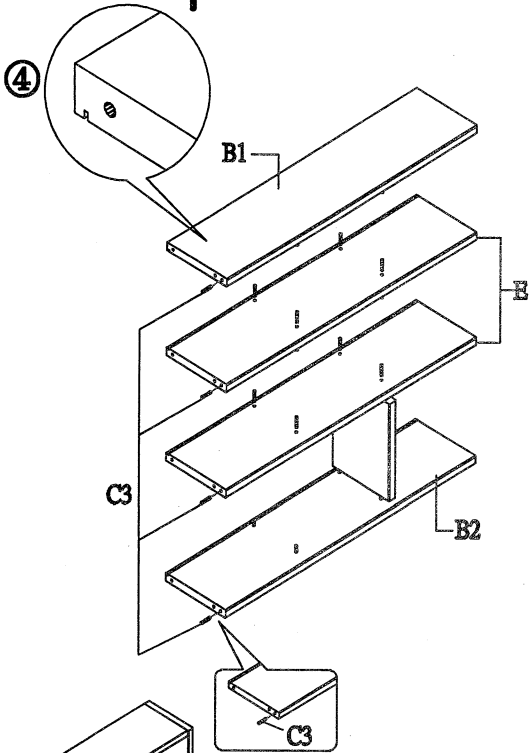
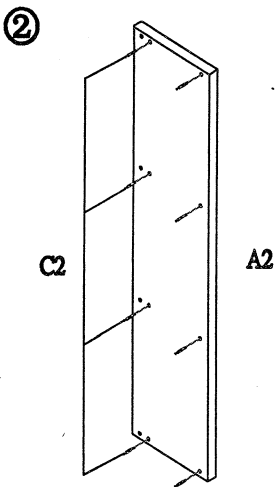
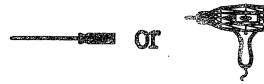
Dowel holes were made purposely tight.
Please do not use excess force when inserting the Dowels



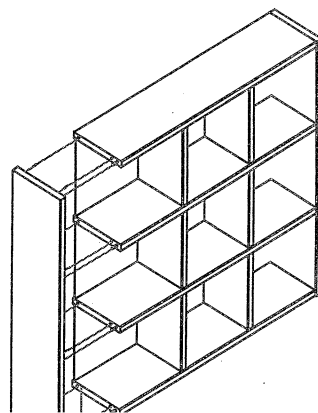
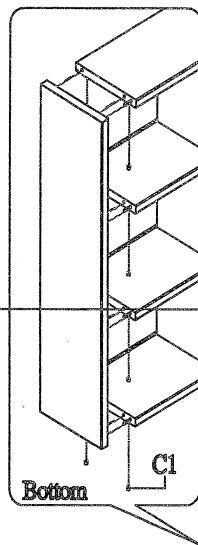
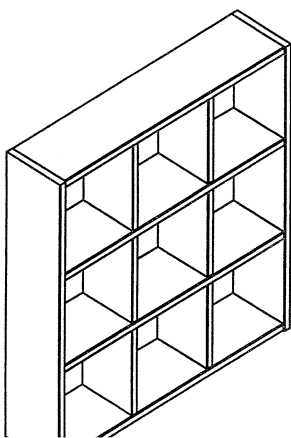
Make sure Cam Holes are on the underside of the shelves

Repeat on opposite side

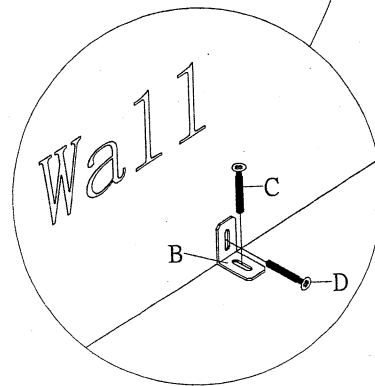
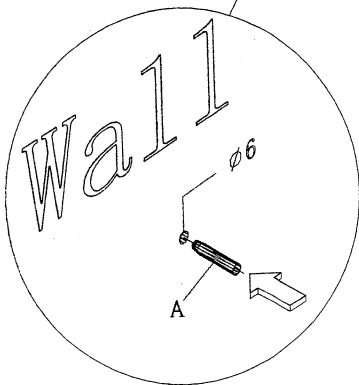
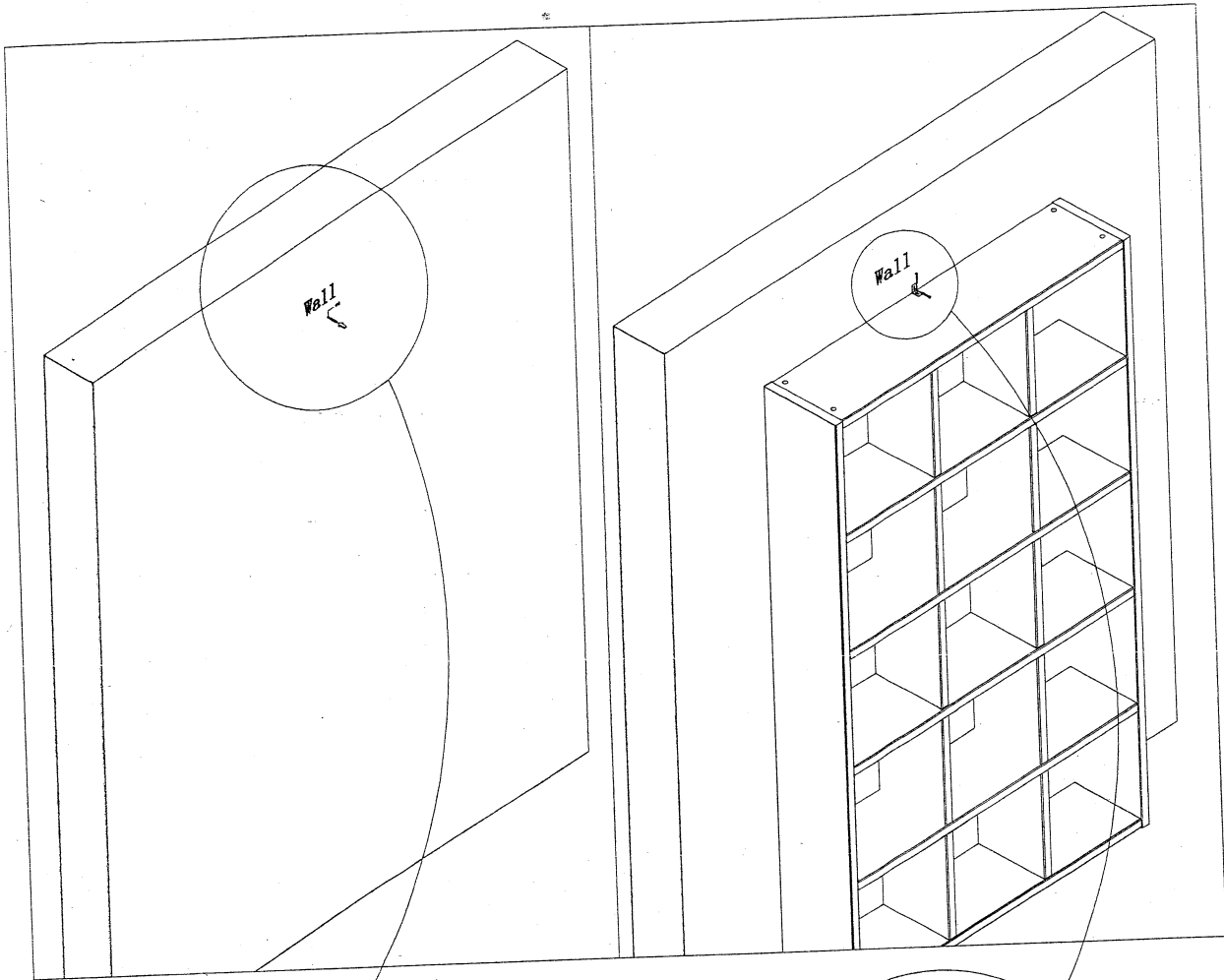
The tool required

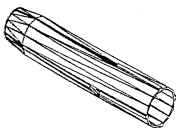
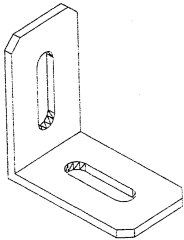
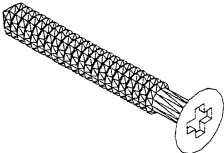
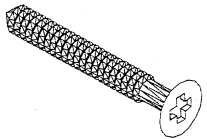


⑧ Rear



TIPPING RESTRAINT KIT ASSEMBLY INSTRUCTION



<p>A: 1 Pcs</p>  <p>PLASTIC EXPANDING PIPE</p>	<p>B: 1 Pcs</p>  <p>TIPPING RESTRAINT KIT</p>	<p>C: 1 Pcs 4*30</p>  <p>SCREW</p>	<p>D: 1 Pcs 4*20</p>  <p>SCREW</p>
---	--	--	---