

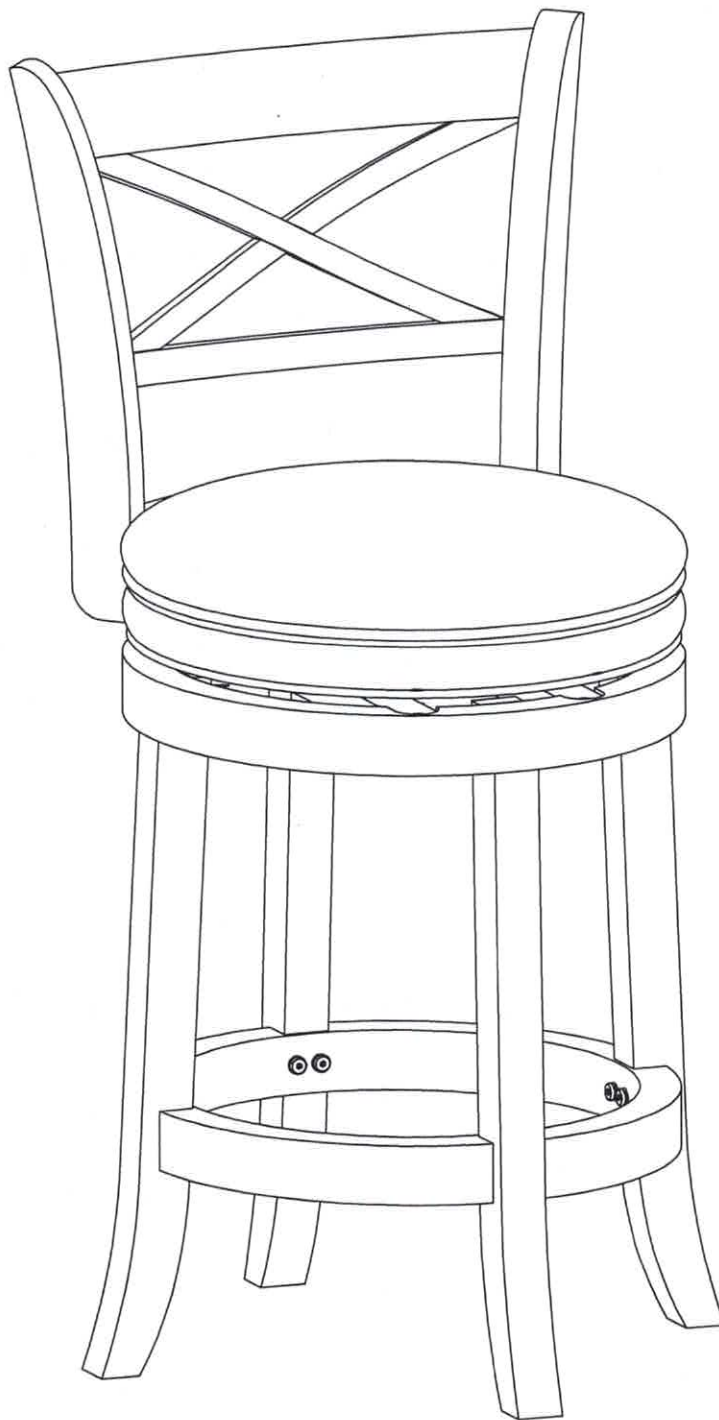
48624, 48629, 49624, 49629



Boraam Industries

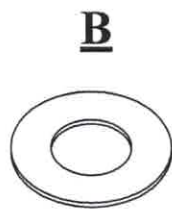
GEORGIA SWIVEL STOOL

ASSEMBLY INSTRUCTIONS

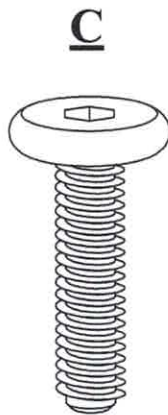




22 PCS



26 PCS



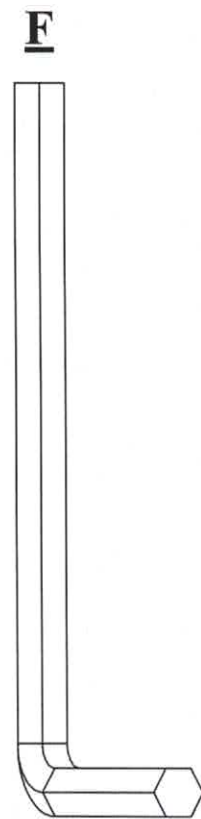
4 PCS



16 PCS

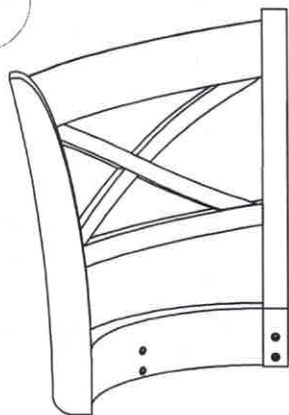


6 PCS

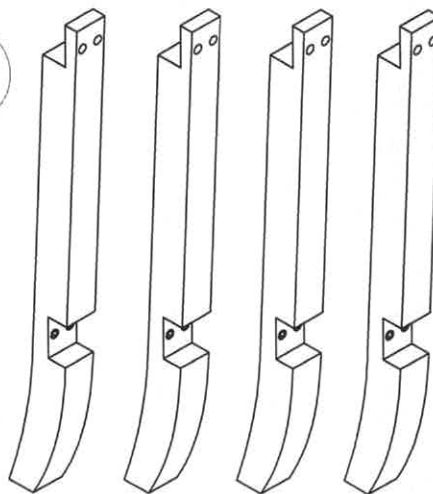


1 PC

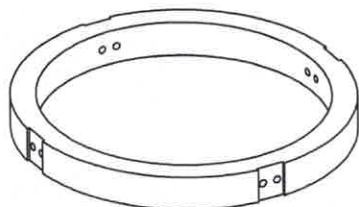
1



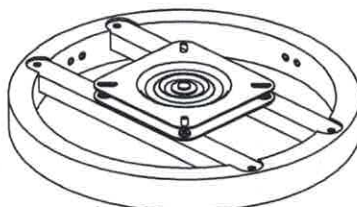
2



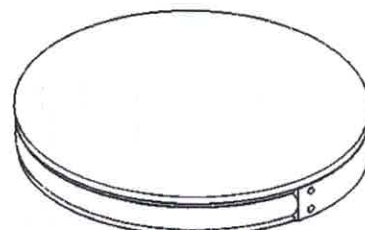
3



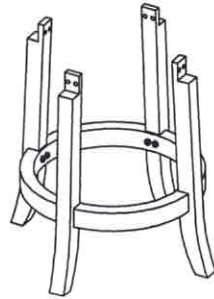
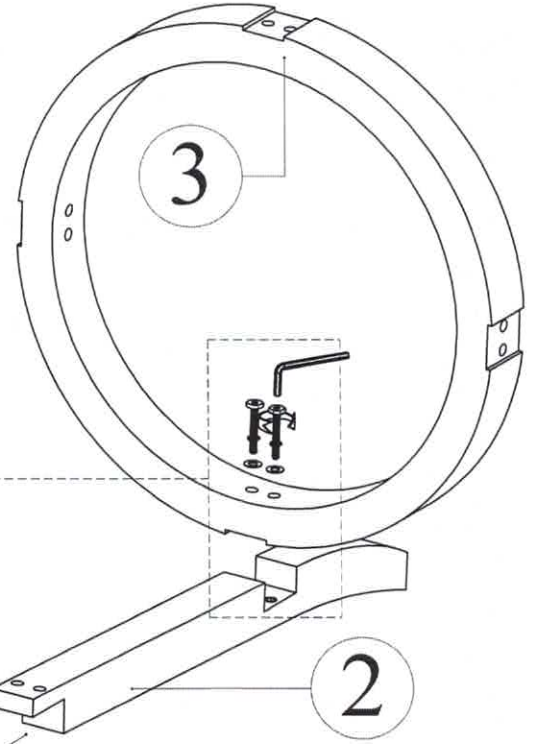
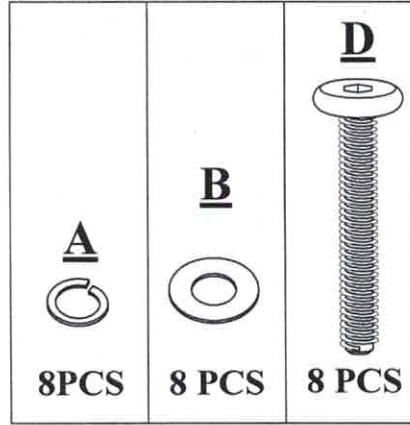
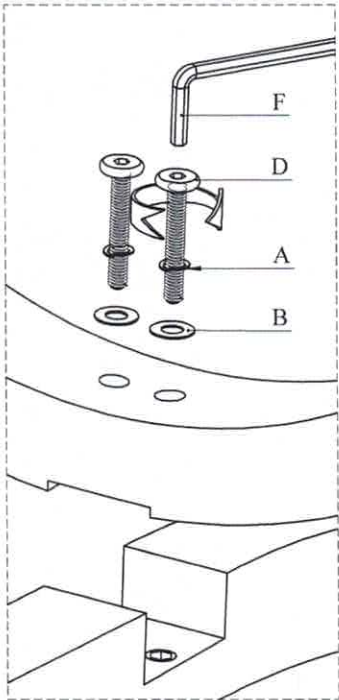
4



5

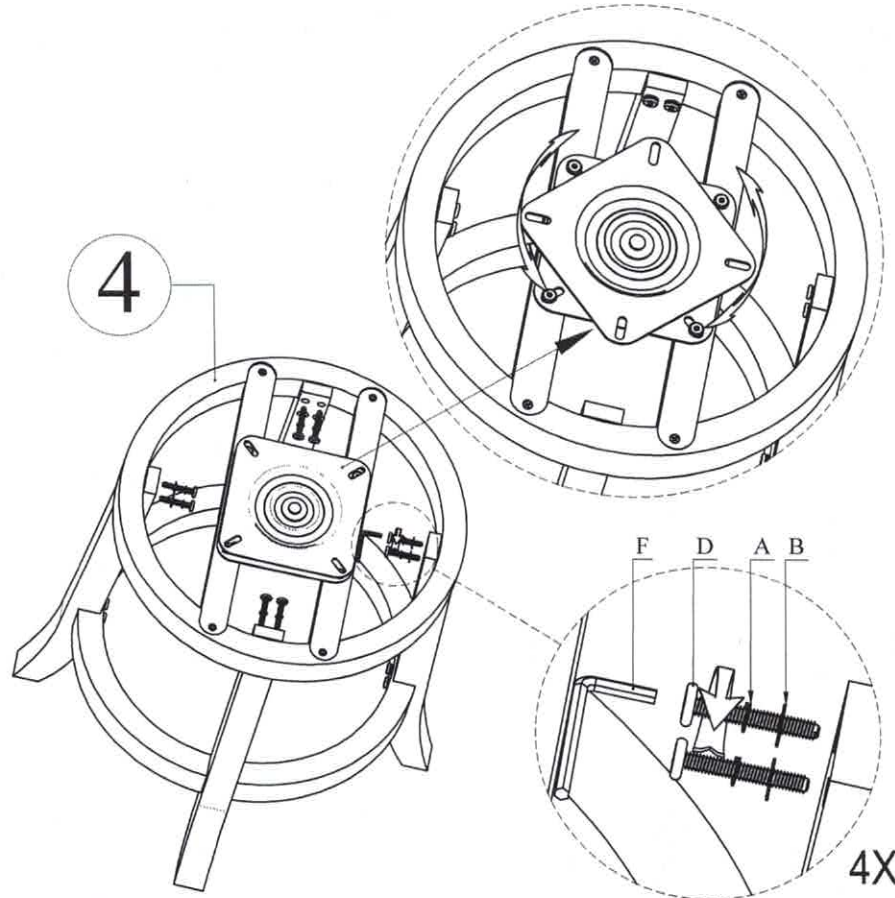
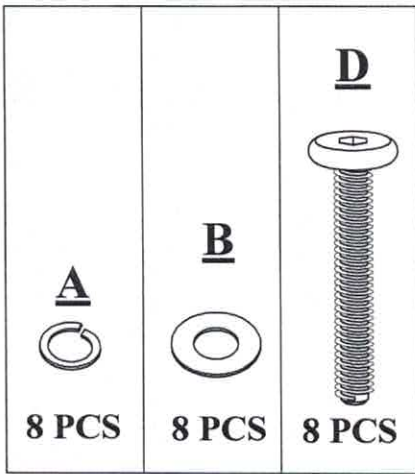


01



DO NOT TIGHTEN BOLT COMPLETELY.

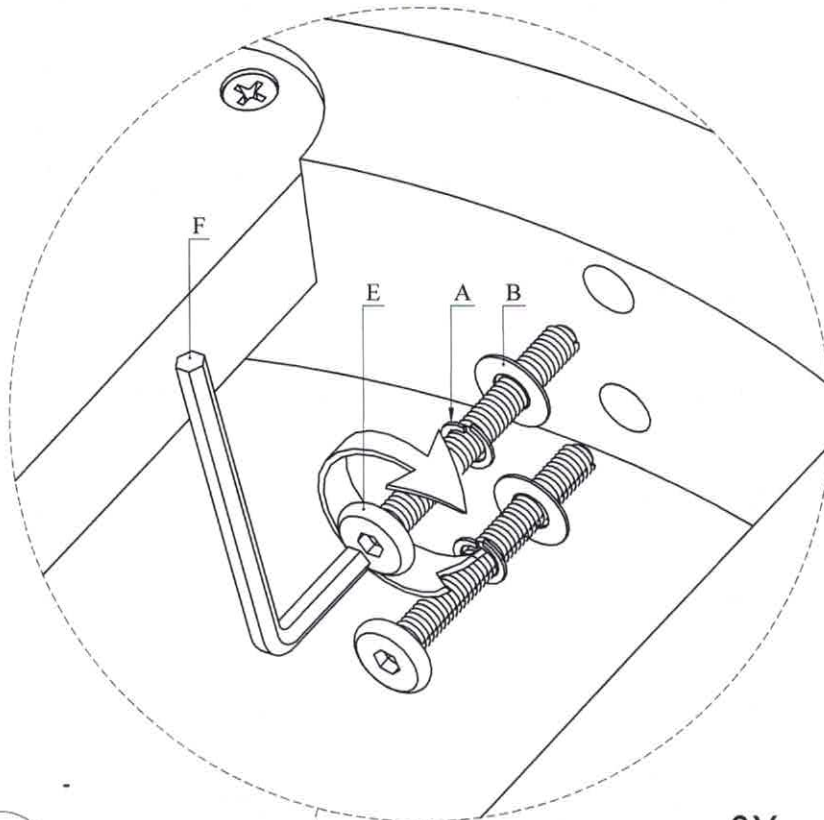
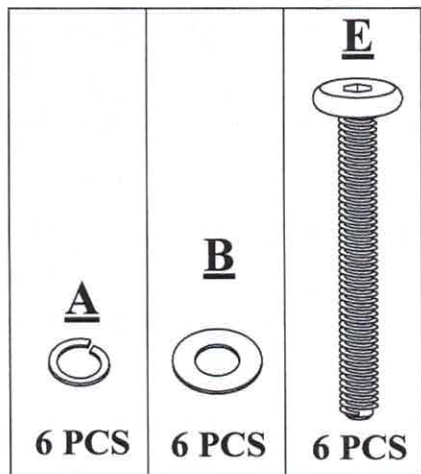
02



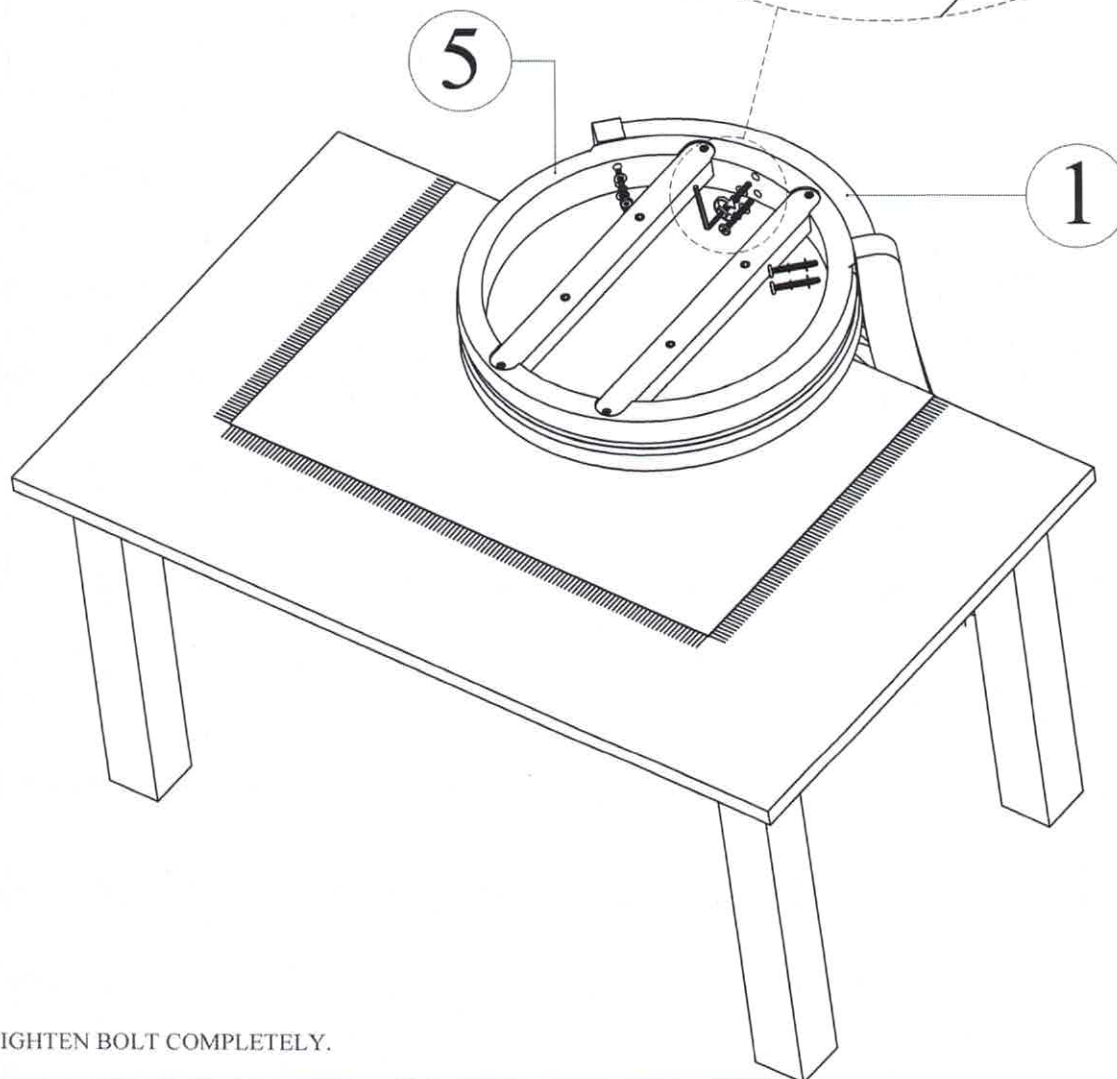
TIGHTEN BOLT COMPLETELY.

4X

03

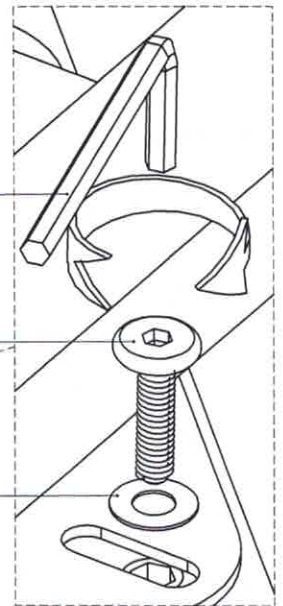
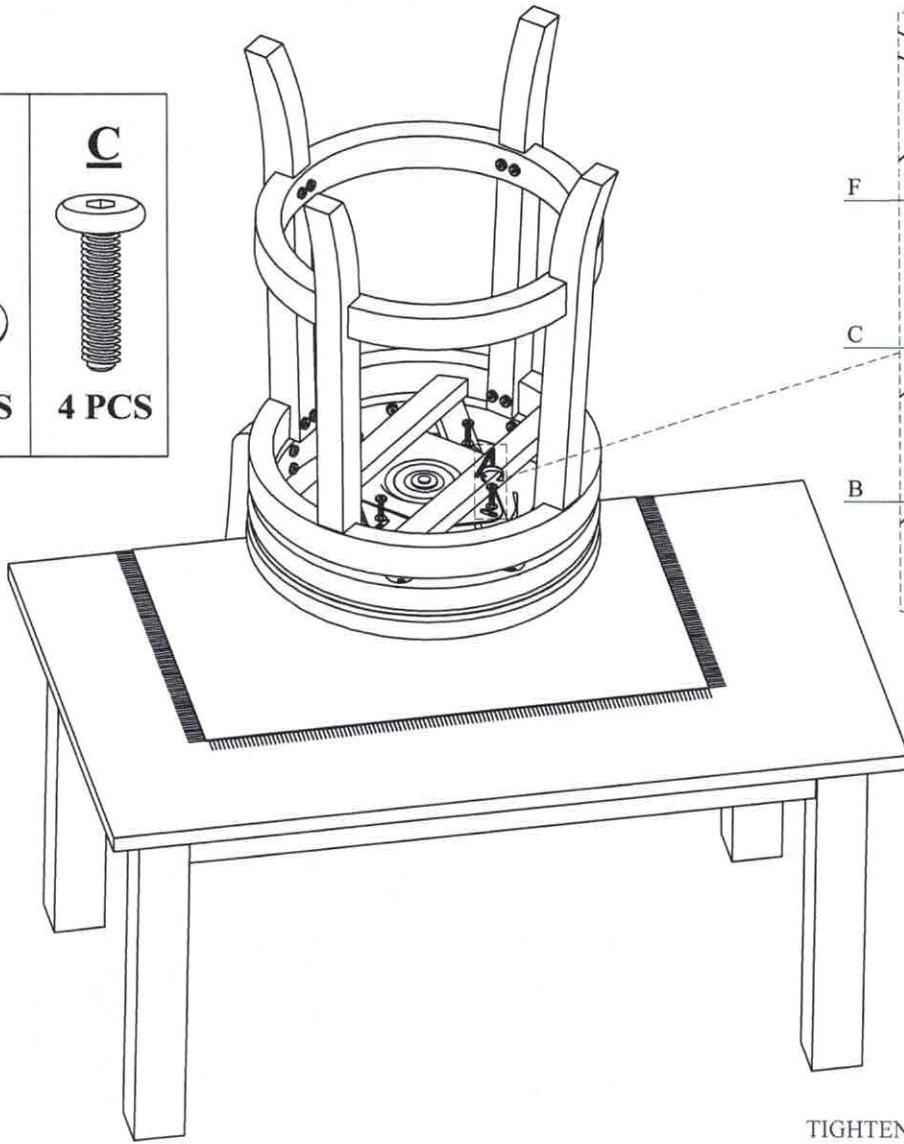
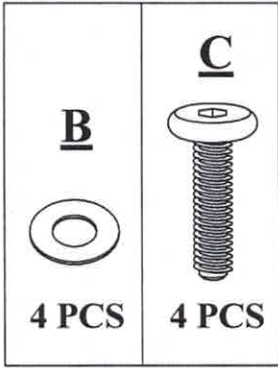


3X



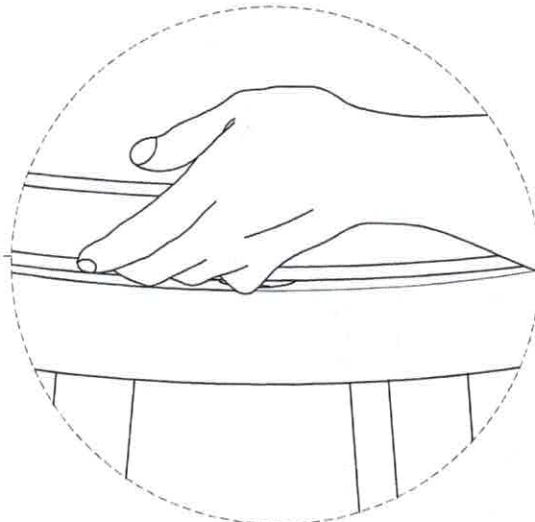
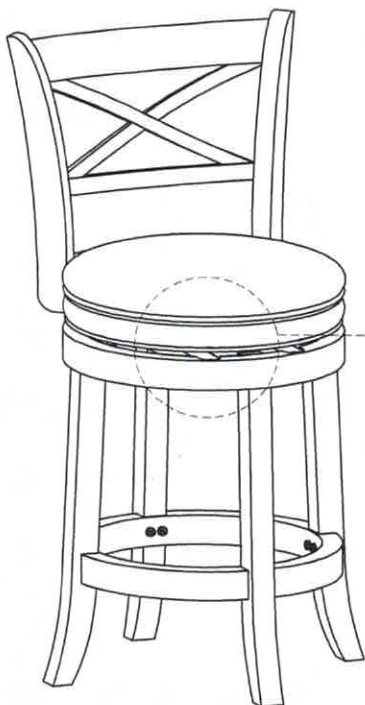
TIGHTEN BOLT COMPLETELY.

04



4X

TIGHTEN BOLT COMPLETELY.



BE SURE TO CHECK ALL BOLTS ARE SECURELY TIGHTENED PRIOR USING THIS STOOL.